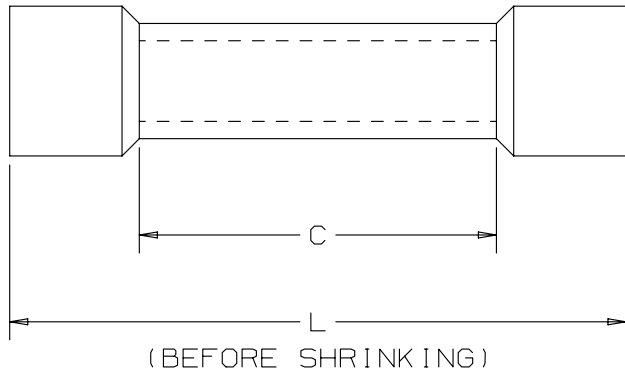


THIS COPY IS PROVIDED ON A RESTRICTED BASIS AND IS NOT TO BE USED IN ANY WAY DETRIMENTAL TO THE INTERESTS OF PANDUIT CORP.



NOTES :

1. UL LISTED AND CSA CERTIFIED AFTER HEAT SHRINKING FOR:
  - A. 600 V MAX. VOLTAGE RATING
  - B. TEMPERATURE RATING OF INSULATION: 125°C (257°F)
  - C. STRANDED COPPER WIRE ONLY (SEE CHART FOR WIRE RANGE)
2. MATERIAL :
  - A. CONNECTOR - TIN PLATED COPPER TUBE, BRAZED SEAM BSH10 ONLY
  - B. INSULATOR - HEAT SHRINKABLE POLYOLEFIN WITH HOT MELT SEALANT
3. MINIMUM SHRINK TEMPERATURE: 300°F (150°C)
4. ALL DIMENSIONS SHOWN ARE NOMINAL. DIMENSIONS IN BRACKETS ARE IN MILLIMETERS.
5. INSTALLATION TOOL: CT-310
6. WIRE STRIP LENGTH:  $5/16^{+1/16}_0$
7. SEE [www.panduit.com](http://www.panduit.com) FOR PART NUMBER SUFFIX DESIGNATION FOR PACKAGE SIZE.

PANDUIT PART NUMBER	WIRE RANGE (AWG)	DIMENSIONS		MAX WIRE INSULATION DIA	INSULATION COLOR
		C	L		
BSH18	22-18	.58 (14,7)	1.45 (36,8)	.170 (4,32)	RED
BSH14	16-14	.58 (14,7)	1.45 (36,8)	.190 (4,83)	BLUE
BSH10	12-10	.74 (18,8)	1.64 (41,7)	.240 (6,10)	YELLOW



REV	DATE	BY	CHK	APR	DESCRIPTION	ECN
04	04-25-13	JBN	RTFI	RTFI	UPDATED DRAWING BORDER & TITLE BLOCK	A41454

TITLE <b>HEAT SHRINK INSULATED BUTT SPLICES</b>	
CUSTOMER DRAWING	
ITEM REVISION NAME <b>N41454BA/04</b>	<b>PANDUIT</b>
DATASET FILE NAME <b>N41454BA_DC/04A</b>	
UNLESS OTHERWISE SPECIFIED, DIMENSIONAL TOLERANCES ARE: IN [mm] .x ± .1 [2.54]      .xxx ± .005 [0.127] .xx ± .01 [0.25]      ANGLES ± 5°	
MATERIAL: <b>SEE NOTES</b>	
DRAWING NUMBER: <b>A41454</b>	
DRAWN BY <b>DRL</b>	DATE <b>-</b>
CHK <b>RLS</b>	SCALE <b>NONE</b>
SHT 1 OF 1	
SIZE <b>A</b>	

D10100DA/15

## X-ON Electronics

Largest Supplier of Electrical and Electronic Components

*Click to view similar products for [Terminals](#) category:*

*Click to view products by [Panduit](#) manufacturer:*

Other Similar products are found below :

[00-054007-01074-6](#) [00-054007-70206-1](#) [00-054007-70210-8](#) [00-054007-70217-7](#) [00-054007-70226-9](#) [00-054007-70228-3](#) [00-054007-70248-1](#) [00-054007-70256-6](#) [00-054007-70301-3](#) [00-054007-70316-7](#) [0-0320562-0](#) [00-054007-49560-4](#) [00-054007-70209-2](#) [00-054007-70225-2](#) [00-054007-70227-6](#) [00-054007-70231-3](#) [00-054007-70241-2](#) [00-054007-70242-9](#) [00-054007-70244-3](#) [00-054007-70246-7](#) [00-054007-70263-4](#) [00-054007-70288-7](#) [00-054007-70290-0](#) [00-054007-70300-6](#) [00-054007-70304-4](#) [01-2065-1-0216](#) [01-2900-1-04412](#) [00581P0075](#) [600TS-10](#) [60205-1](#) [604200-1](#) [605601-1](#) [60598-1-CUT-TAPE](#) [61314-6-C](#) [61810-3](#) [61-S](#) [61-SN](#) [626-0194](#) [62-NBM-A](#) [62-SN](#) [62-SP](#) [63-S](#) [640179-1](#) [M55155/059I03](#) [M55155/079C01](#) [M55155/099H02](#) [M55155/109H01](#) [M55155/109H02](#) [M55155/12XH05](#) [M55155/16XH02](#)