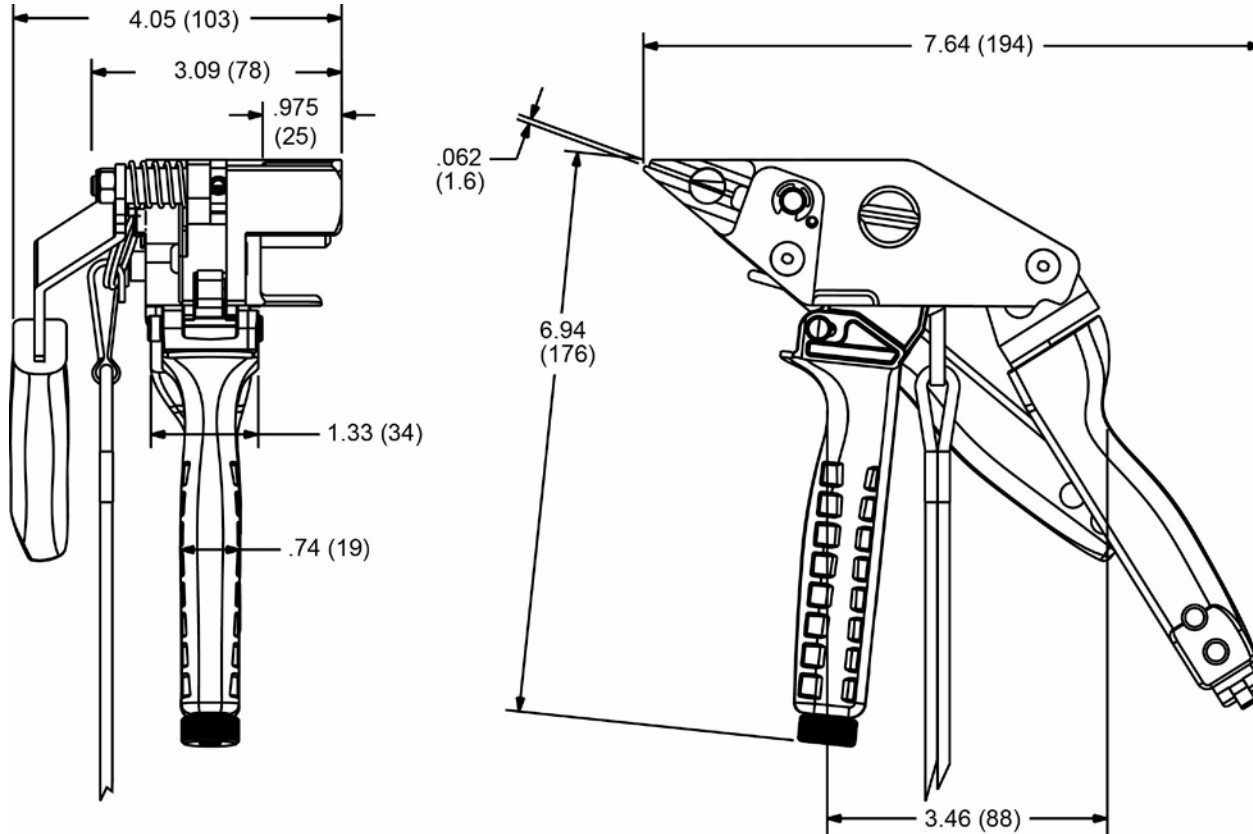


THIS COPY IS PROVIDED ON A RESTRICTED BASIS AND IS NOT TO BE USED IN ANY WAY DETRIMENTAL TO THE INTERESTS OF PANDUIT CORP.



NOTES, UNLESS OTHERWISE SPECIFIED:
 Panduit Tool Number BT2HTI is used to install coated and uncoated Pan-Steel IMS Series strap and buckles in widths of 3/8" (9.5mm), 1/2" (12mm); and 5/8" (16mm).

- THIS TOOLS' FEATURES INCLUDE:**
- Inverted blade provides longer cut-offs
 - Single handle trigger for fast installation
 - Cable strap side entry for immediate positioning of strap and tool
 - Adjustable controlled or Installer controlled tension
 - Cut-off capability with the cutter and cutter handle
 - Easy removal of excess strap.
 - Multi-position rear handle allows access to tight areas.
 - Features to release & remove strap from tool before cutting.

CABLE TIE CROSS-SECTION CODE:
 IMS Series straps and buckles.

TOOL WEIGHT: 2.6 lbs. (41.6 oz.)
 Dimensions shown in parentheses are metric

File Location: Teamcenter

BT2HTI CUSTOMER DRAWING

CUSTOMER DRAWING

ITEM REVISION NAME:

TB28099A01_00



UNLESS OTHERWISE SPECIFIED,
 DIMENSIONAL TOLERANCES ARE:

(.x) ± --- (.xxx) ± ---
 (.xx) ± --- ANGLES ± ---

MATERIAL:



THIRD ANGLE
 PROJECTION

DRAWING NUMBER:
 TB28099A01

00	8-12-16	BLR	<i>BJPU</i>	<i>JADE</i>	RELEASED	10064
REV	DATE	BY	CHK	APR	DESCRIPTION	ECN

DRAWN BY: BLR	DATE: 8-12-16	CHK BJPU	SCALE NONE	SHT 1 OF 1	SIZE A
-------------------------	-------------------------	--------------------	----------------------	-------------------	------------------

X-ON Electronics

Largest Supplier of Electrical and Electronic Components

Click to view similar products for [Other Tools](#) category:

Click to view products by [Panduit](#) manufacturer:

Other Similar products are found below :

[CR-0AFL4--332K](#) [568681-1](#) [5800-0090](#) [58061-1](#) [59065-5](#) [59085](#) [00-8273-RDPP](#) [00-8729-WHPP](#) [593033](#) [593072](#) [593564100](#) [593575](#)
[593593](#) [011349-000](#) [CRCW08052740FRT1](#) [LUC-012S070DSM](#) [LUC-018S070DSP](#) [LUC-024S105DSP](#) [599-2021-3-NME](#) [599-JJ-2021-03](#)
[00-5080-YWPP](#) [00-9089-RDPP](#) [00-9300-RDPP](#) [CRCW2010331JR02](#) [601-JJ-06](#) [601-SPB](#) [601YSY](#) [602-JJ-03](#) [602SPB](#) [603-JJ-07-FP](#) [603-](#)
[JJY-04](#) [M15570-25](#) [CRTN1013](#) [CS16](#) [6-1579014-0](#) [CSB3](#) [6203](#) [62200-5709](#) [6240-1](#) [M43435](#) [TY 2](#) [SZ 3](#) [FIN B](#) [BLK](#) [M-5Z](#) [M6816](#) [M7298](#)
[M7456](#) [M7976](#) [660-29ABT1](#) [662508-1](#) [CVHD-950X-93.333](#) [CW104-01X](#) [671-GP-04-KT39-73207](#)