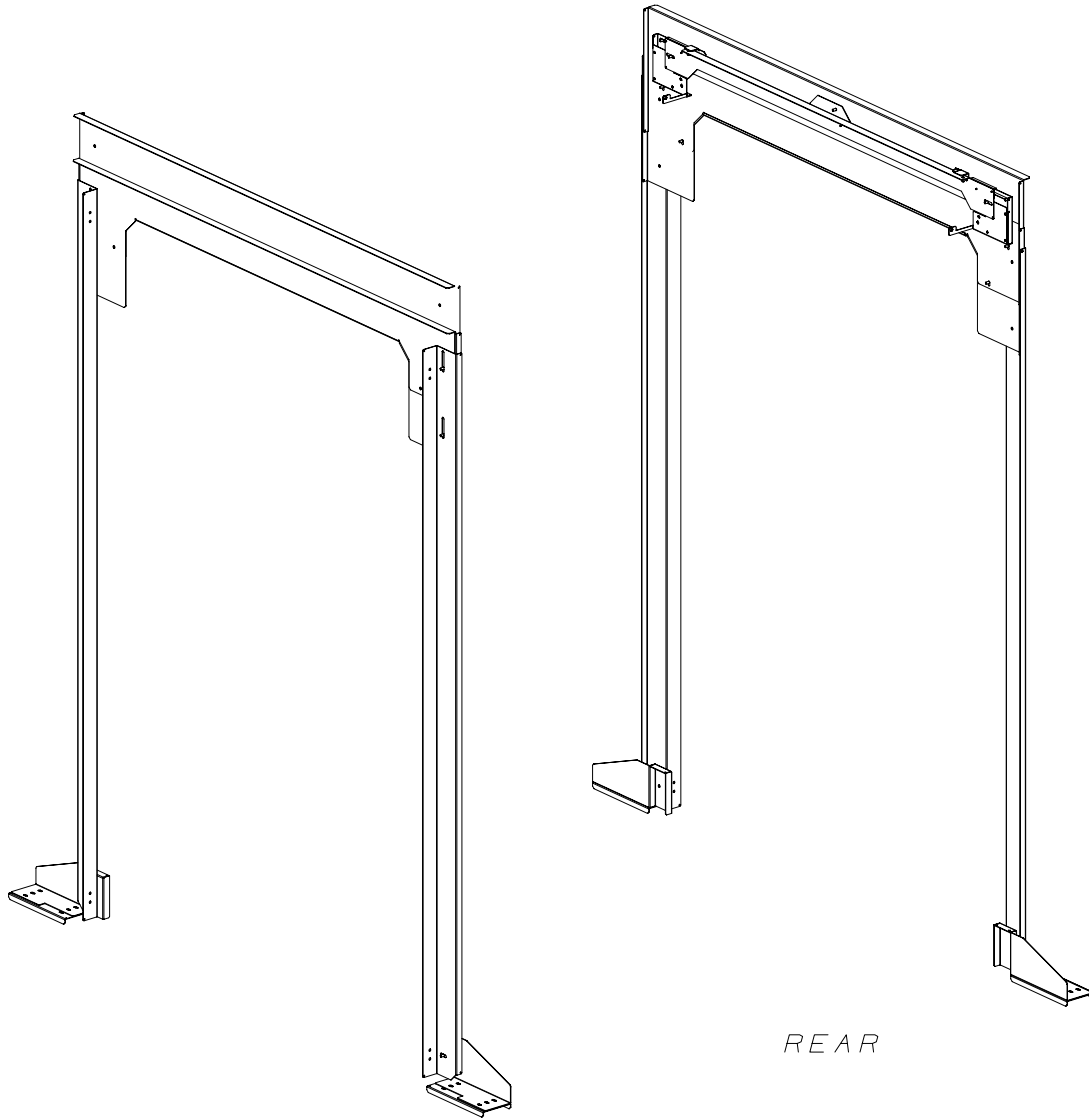


THIS COPY IS PROVIDED ON A RESTRICTED BASIS AND IS NOT TO BE USED IN ANY WAY DETRIMENTAL TO THE INTERESTS OF PANDUIT CORP.



NOTES:

1. VISIT OUR ONLINE CATALOG AT WWW.PANDUIT.COM FOR A LIST OF CURRENT PARTS APPLICABLE FOR USE WITH THIS PRODUCT.
2. PARTS SUPPLIED:
 - 1 - AISLE BEAM ASSY
 - 1 - CABINET BRACKET ASSY RH
 - 1 - CABINET BRACKET ASSY LH
 - 1 - TRANSOM 42/45
 - 1 - 3RU EXTENDER
 - 1 - DOOR MOUNTING RAIL RH
 - 1 - DOOR MOUNTING RAIL LH
 - 1 - FOOT FLOOR MOUNT RH
 - 1 - FOOT FLOOR MOUNT LH
 - 2 - UNDERFLOOR PLATE
 - 1 - HARDWARE KIT (NOT SHOWN)
 - 1 - INSTRUCTION SHEET
3. PRIMARY DIMENSIONS ARE IN MILLIMETERS.

PART NO.	WEIGHT
C2SDT8W04DA**	22.4 kg 49.4 lb

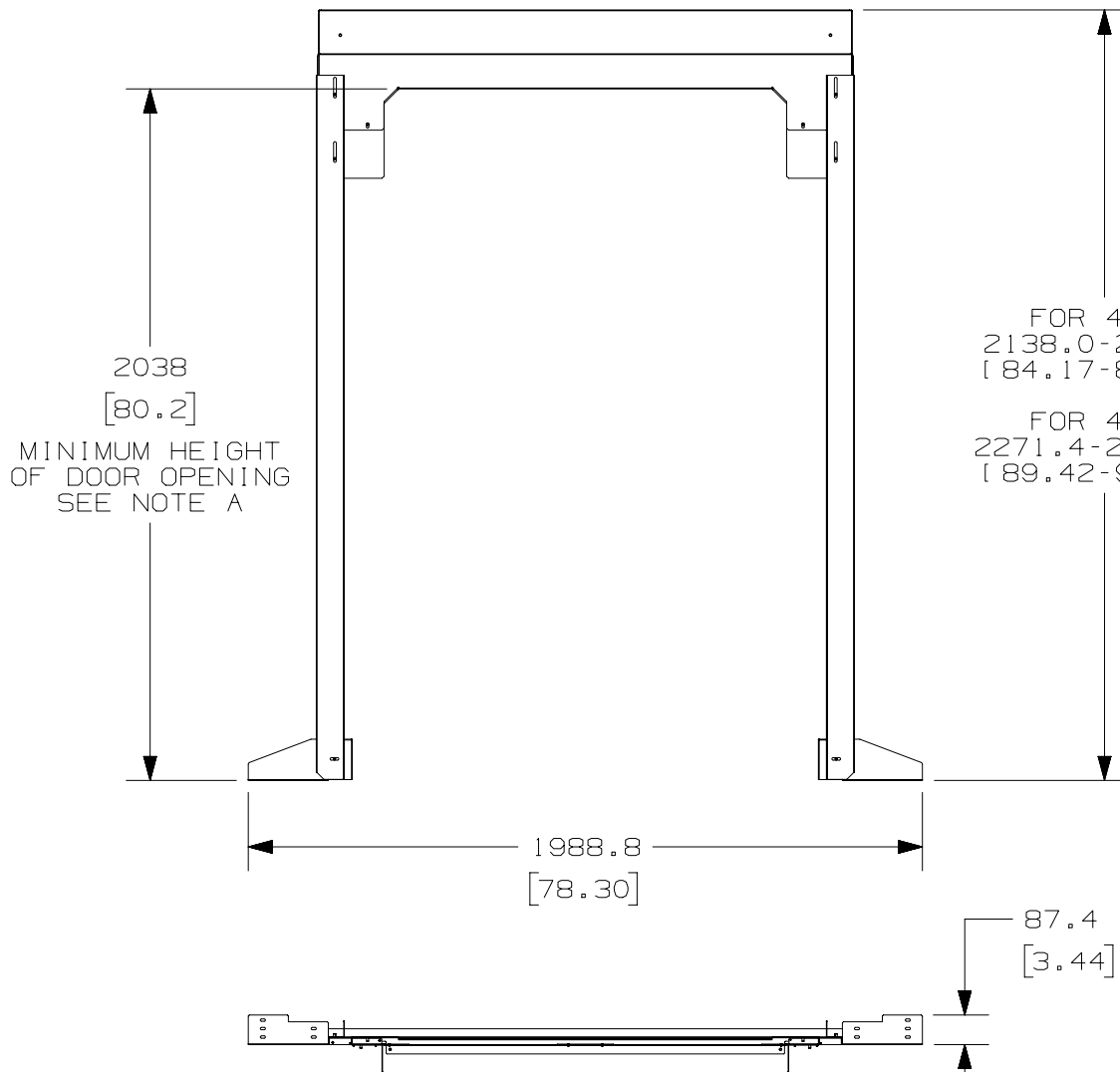
** DENOTES COLOR - ADD SUFFIX:
"B1" FOR BLACK, "W1" FOR WHITE.

TITLE		1200 HAC/CAC DOOR ADAPTER 42/45 (C2SDT8W04DA**)	
ITEM REVISION NAME		15V530FC/00	
DATASET FILE NAME		15V530FC_DC/00A	
MATERIAL:		N/A	
DRAWING NUMBER:		15V530FC-DC	
DRAWN BY	DATE	CHK	SCALE
MEX-JAGC	6/7/16	PATR	NONE
DESCRIPTION		SHT 1 OF 3	
REV	DATE	BY	SIZE
00A	6/13/16	MES	A

00A	6/13/16	MES	PATR	PATR	RELEASED TO PRODUCTION	V09000QZ/02
REV	DATE	BY	CHK	APR	DESCRIPTION	ECN

D10100DA/16

THIS COPY IS PROVIDED ON A RESTRICTED BASIS AND IS NOT TO BE USED IN ANY WAY DETRIMENTAL TO THE INTERESTS OF PANDUIT CORP.



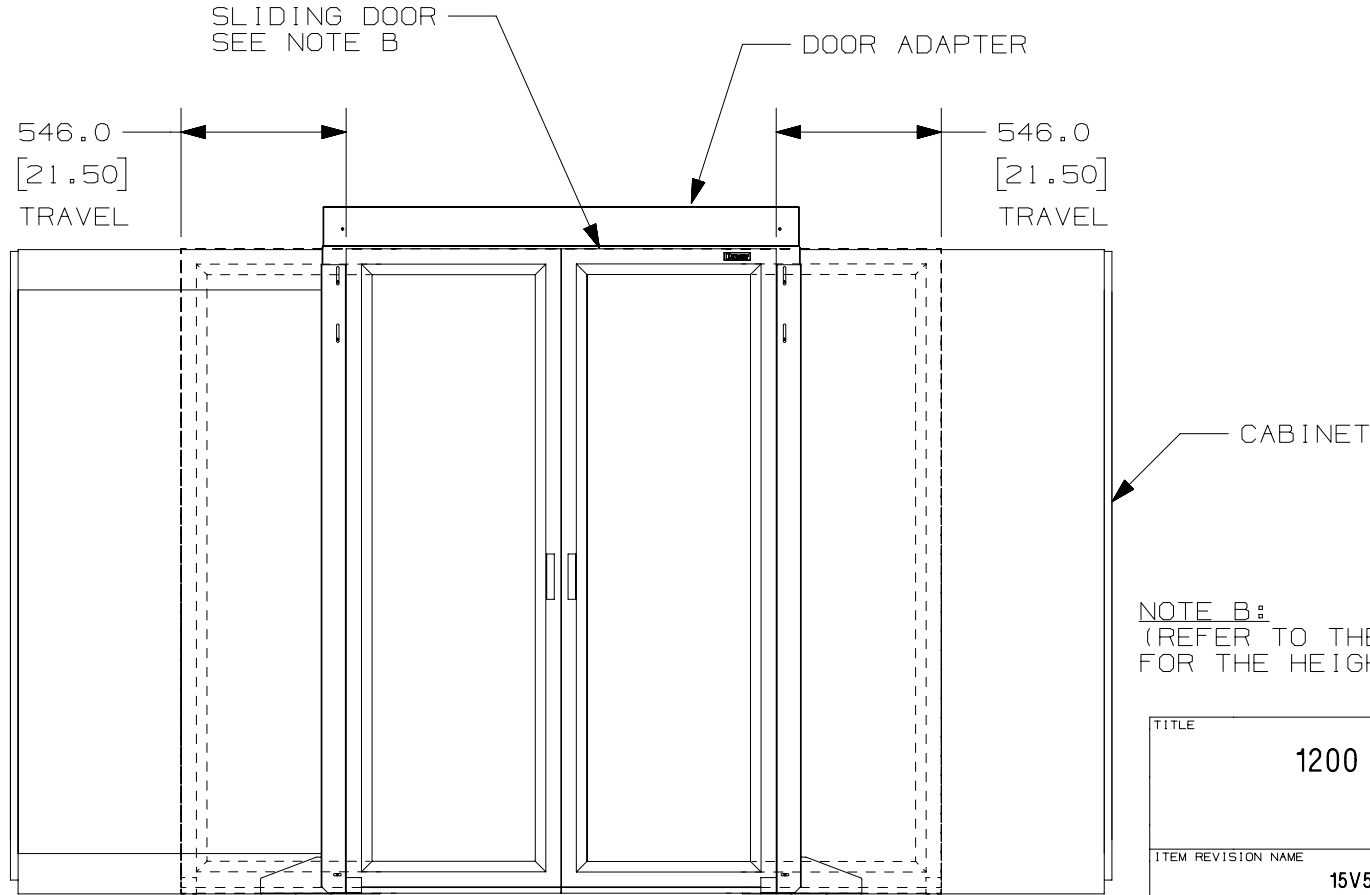
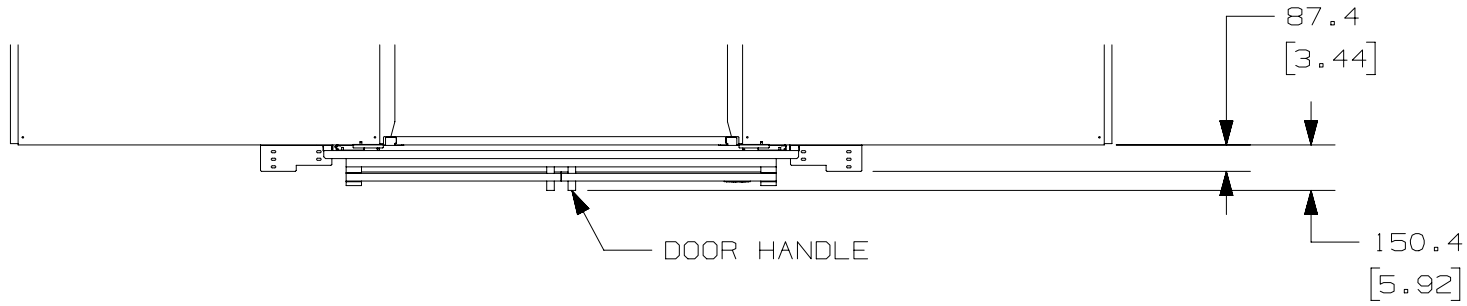
NOTE A:
 (ACTUAL HEIGHT WILL DEPEND ON THE POSITION OF THE CABINET LEVELING LEGS AND THE INSIDE HEIGHT OF THE SLIDING DOOR)

TITLE		1200 HAC/CAC DOOR ADAPTER 42/45 (C2SDT8W04DA**)	
ITEM REVISION NAME		15V530FC/00	
DATASET FILE NAME		15V530FC_DC/00A	
MATERIAL:		N/A	
DRAWING NUMBER:		15V530FC-DC	
DRAWN BY	DATE	CHK	SCALE
MES	6/13/16	PATR	NONE
SHT 2 OF 3			SIZE A

00A	6/13/16	MES	PATR	PATR	SEE SHEET 1 OF 3 FOR REVISIONS	V09000QZ/02
REV	DATE	BY	CHK	APR	DESCRIPTION	ECN

D10100DA/16

THIS COPY IS PROVIDED ON A RESTRICTED BASIS AND IS NOT TO BE USED IN ANY WAY DETRIMENTAL TO THE INTERESTS OF PANDUIT CORP.



NOTE B:
 (REFER TO THE SLIDING DOOR CUSTOMER DRAWING FOR THE HEIGHT AND WIDTH OF THE DOOR OPENING)

TITLE		1200 HAC/CAC DOOR ADAPTER 42/45 (C2SDT8W04DA**)	
ITEM REVISION NAME		15V530FC/00	
DATASET FILE NAME		15V530FC_DC/00A	
MATERIAL:		N/A	
DRAWING NUMBER:		15V530FC-DC	
DRAWN BY	DATE	CHK	SCALE
MES	6/13/16	PATR	NONE
SHT 3 OF 3			SIZE A

00A	6/13/16	MES	PATR	PATR	SEE SHEET 1 OF 3 FOR REVISIONS	V09000QZ/02
REV	DATE	BY	CHK	APR	DESCRIPTION	ECN

D10100DA/16

X-ON Electronics

Largest Supplier of Electrical and Electronic Components

Click to view similar products for [Wire Ducting & Raceways](#) category:

Click to view products by [Panduit](#) manufacturer:

Other Similar products are found below :

[800A-LB](#) [801I-LSP](#) [802A-ECSP](#) [802I-ICSP](#) [923223-000](#) [PRAF6WH-X](#) [A0405538](#) [1301150342](#) [1301160034](#) [1301170070](#) [1301180011](#)
[1301230083](#) [1301230153](#) [1301240273](#) [1301250006](#) [1302261238](#) [1302261321](#) [1302262552](#) [1302263103](#) [1302263178](#) [1302263259](#)
[1302263816](#) [1302263860](#) [1302264375](#) [1302264390](#) [1301150343](#) [1301160030](#) [1301170050](#) [1301170051](#) [1301170061](#) [1301180013](#)
[1301230086](#) [1301230130](#) [1301240054](#) [1302260055](#) [1302260376](#) [1302261343](#) [1302261344](#) [1302262674](#) [1302263095](#) [1302263166](#)
[1302263209](#) [1302263513](#) [1302263851](#) [1302263870](#) [1302264137](#) [1302264218](#) [DD1/J](#) [AX101472](#) [AX102007](#)