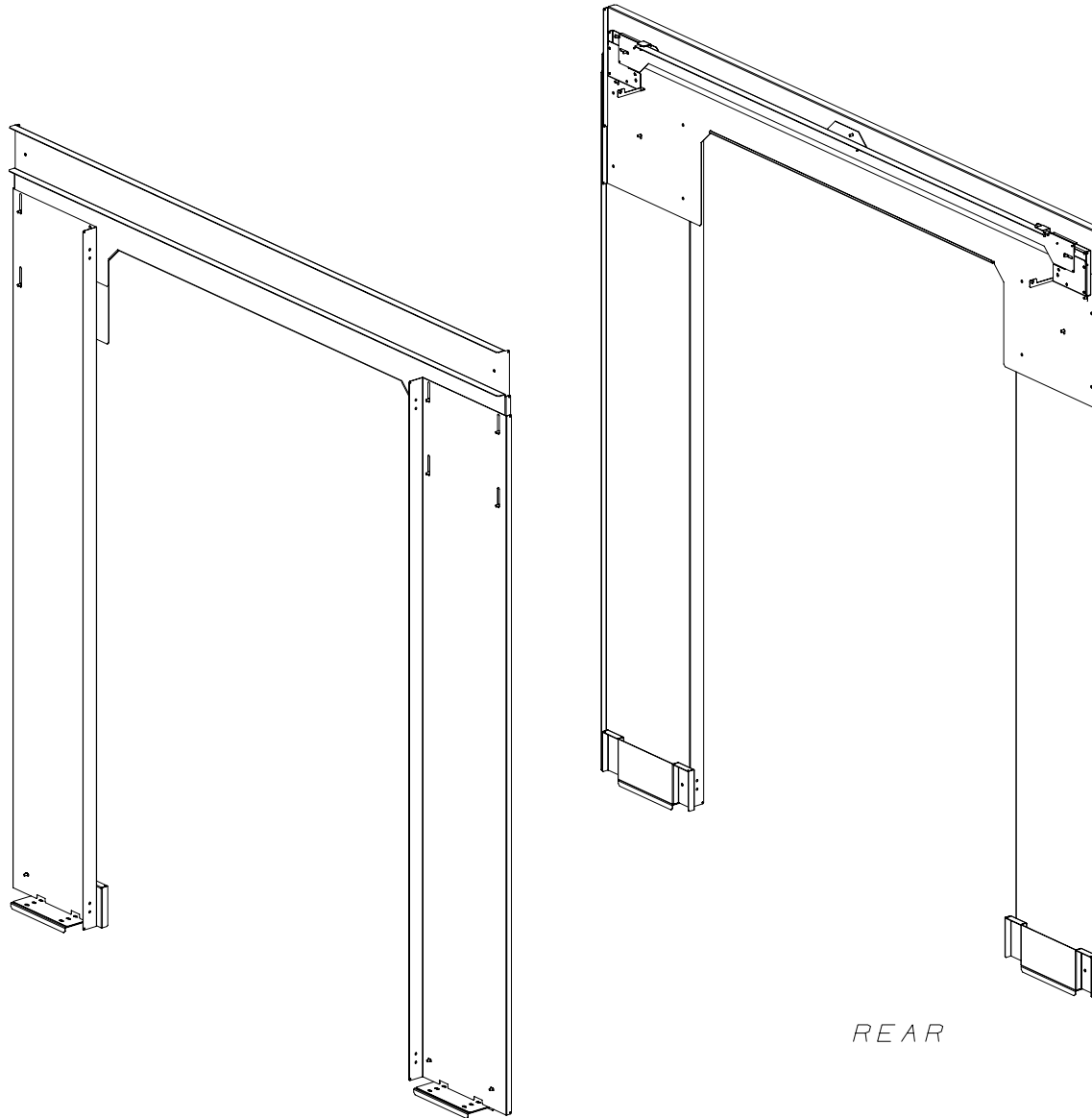


THIS COPY IS PROVIDED ON A RESTRICTED BASIS AND IS NOT TO BE USED IN ANY WAY DETRIMENTAL TO THE INTERESTS OF PANDUIT CORP.



FRONT

REAR

NOTES:

1. VISIT OUR ONLINE CATALOG AT WWW.PANDUIT.COM FOR A LIST OF CURRENT PARTS APPLICABLE FOR USE WITH THIS PRODUCT.
2. PARTS SUPPLIED:
 - 1 - AISLE BEAM ASSY
 - 1 - CABINET BRACKET ASSY RH
 - 1 - CABINET BRACKET ASSY LH
 - 1 - TRANSOM 42/45
 - 1 - 3RU EXTENDER
 - 1 - DOOR MOUNTING RAIL RH
 - 1 - DOOR MOUNTING RAIL LH
 - 2 - FOOT FLOOR MOUNT
 - 2 - UNDERFLOOR PLATE
 - 1 - HARDWARE KIT (NOT SHOWN)
 - 1 - INSTRUCTION SHEET
3. PRIMARY DIMENSIONS ARE IN MILLIMETERS.

PART NO.	WEIGHT
C2SDT8W06DA**	35.1 kg 77.4 lb

** DENOTES COLOR - ADD SUFFIX:
"B1" FOR BLACK, "W1" FOR WHITE.

TITLE		1800 CAC DOOR ADAPTER 42/45 (C2SDT8W06DA**)	
ITEM REVISION NAME		15V530FE/00	
DATASET FILE NAME		15V530FE_DC/00A	
MATERIAL:		N/A	
DRAWING NUMBER:		15V530FE - DC	
DRAWN BY	DATE	CHK	SCALE
MES	6/13/16	PATR	NONE
SHT 1 OF 3		A	

00A	6/13/16	MES	PATR	PATR	RELEASED TO PRODUCTION	V09000QZ/02
REV	DATE	BY	CHK	APR	DESCRIPTION	ECN

D10100DA/16

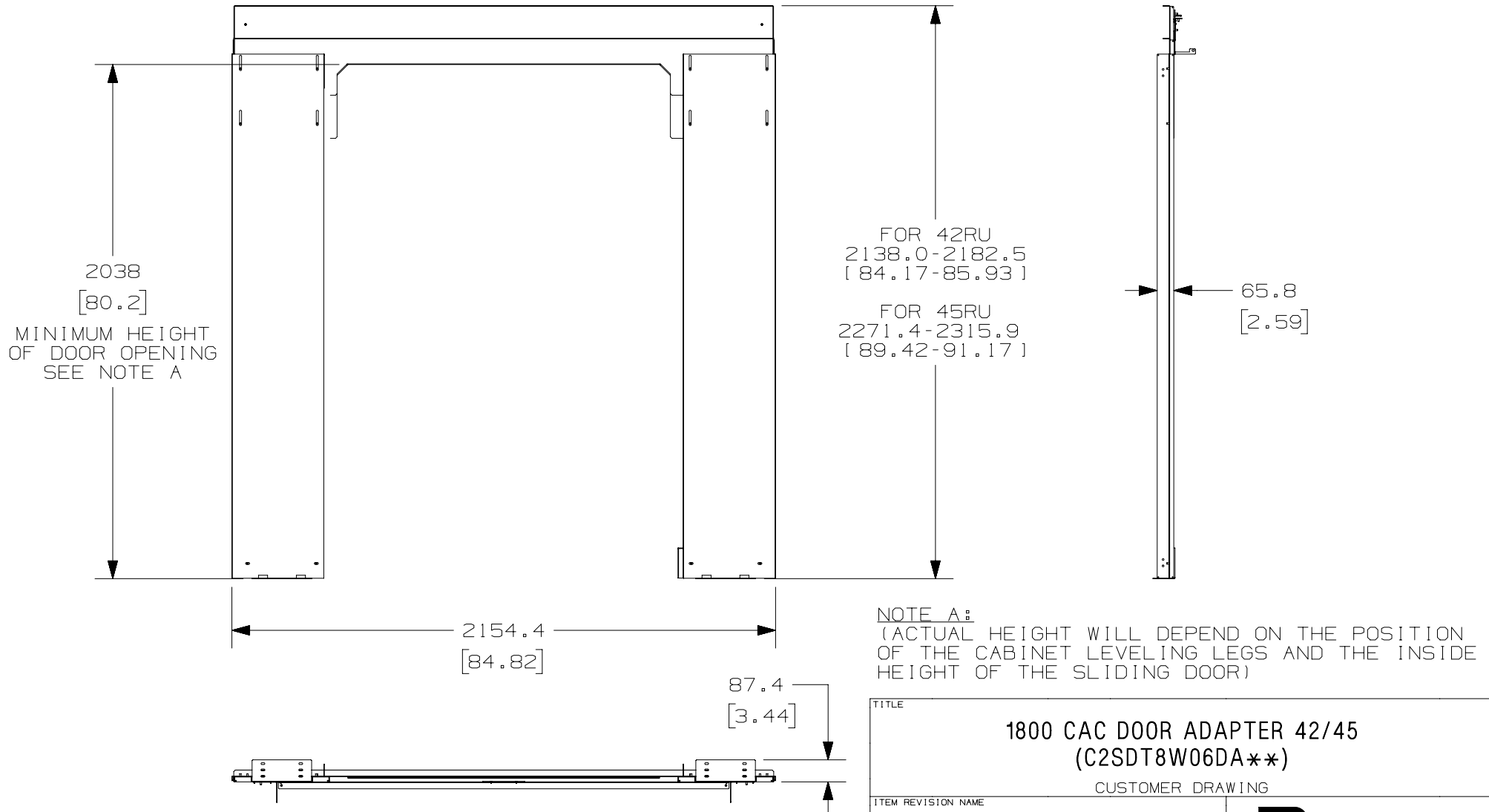
2

1

2

1

THIS COPY IS PROVIDED ON A RESTRICTED BASIS AND IS NOT TO BE USED IN ANY WAY DETRIMENTAL TO THE INTERESTS OF PANDUIT CORP.



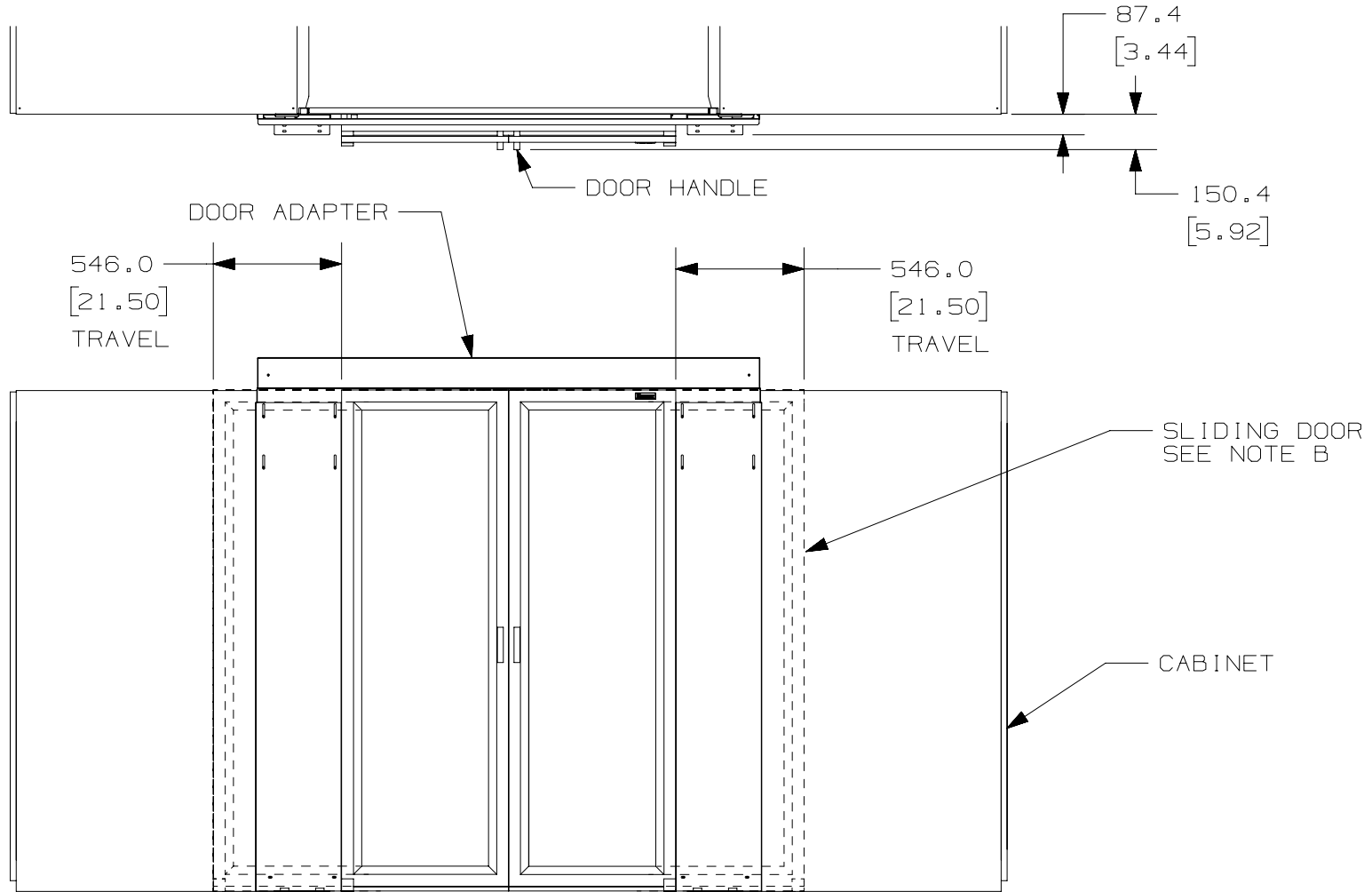
TITLE		1800 CAC DOOR ADAPTER 42/45 (C2SDT8W06DA**)	
ITEM REVISION NAME		15V530FE/00	
DATASET FILE NAME		15V530FE_DC/00A	
MATERIAL:		N/A	
DRAWING NUMBER:		15V530FE - DC	

REV	DATE	BY	CHK	APR	DESCRIPTION	ECN
00A	6/13/16	MES	PATR	PATR	SEE SHEET 1 OF 3 FOR REVISIONS	V09000QZ/02

DRAWN BY	DATE	CHK	SCALE	SHT 2 OF 3	SIZE
MES	6/13/16	PATR	NONE		A

D10100DA/16

THIS COPY IS PROVIDED ON A RESTRICTED BASIS AND IS NOT TO BE USED IN ANY WAY DETRIMENTAL TO THE INTERESTS OF PANDUIT CORP.



NOTE_B:
 (REFER TO THE SLIDING DOOR CUSTOMER DRAWING
 FOR THE HEIGHT AND WIDTH OF THE DOOR OPENING)

TITLE		1800 CAC DOOR ADAPTER 42/45 (C2SDT8W06DA**)	
ITEM REVISION NAME		15V530FE/00	
DATASET FILE NAME		15V530FE_DC/00A	
MATERIAL:		N/A	
DRAWING NUMBER:		15V530FE - DC	
DRAWN BY	DATE	CHK	SCALE
MES	6/13/16	PATR	NONE
SHT 3 OF 3			SIZE A

00A	6/13/16	MES	PATR	PATR	SEE SHEET 1 OF 3 FOR REVISIONS	V09000QZ/02
REV	DATE	BY	CHK	APR	DESCRIPTION	ECN

D10100DA/16

X-ON Electronics

Largest Supplier of Electrical and Electronic Components

Click to view similar products for [Racks & Rack Cabinet Accessories](#) category:

Click to view products by [Panduit](#) manufacturer:

Other Similar products are found below :

[M00-PLN](#) [F2424](#) [8351-832-A-24](#) [9104](#) [9105](#) [PLFF2000](#) [H-9163-B](#) [1427C3](#) [HTS10](#) [PC-79](#) [SC10-3A](#) [SC4-28](#) [CG3-340S/12](#) [CP-001BK](#)
[M6123-4007-SS](#) [AX61400TB](#) [TS170](#) [LP40](#) [5261304-07](#) [CG3-160G](#) [7112C-PLN](#) [ALUM](#) [CM10](#) [8610-3124-S-26](#) [TS81](#) [7142](#) [GP134](#)
[M6125-4007-A-24](#) [M6127-4007-SS](#) [PBCOVER](#) [512](#) [AEG-4000G](#) [AEG-3000G](#) [HD99](#) [SR2-66A2](#) [FP10B4HP-1](#) [FP52-2](#) [1406-1006-01](#)
[29478](#) [TS2535](#) [TS169-6](#) [CAC2](#) [HA19-3U](#) [BR-19-10-1](#) [TS180](#) [CG3-ESD](#) [SC11-1](#) [CFS-1.00/2.20](#) [AX6145WM](#) [HEC0800PB](#) [ZC633R](#)