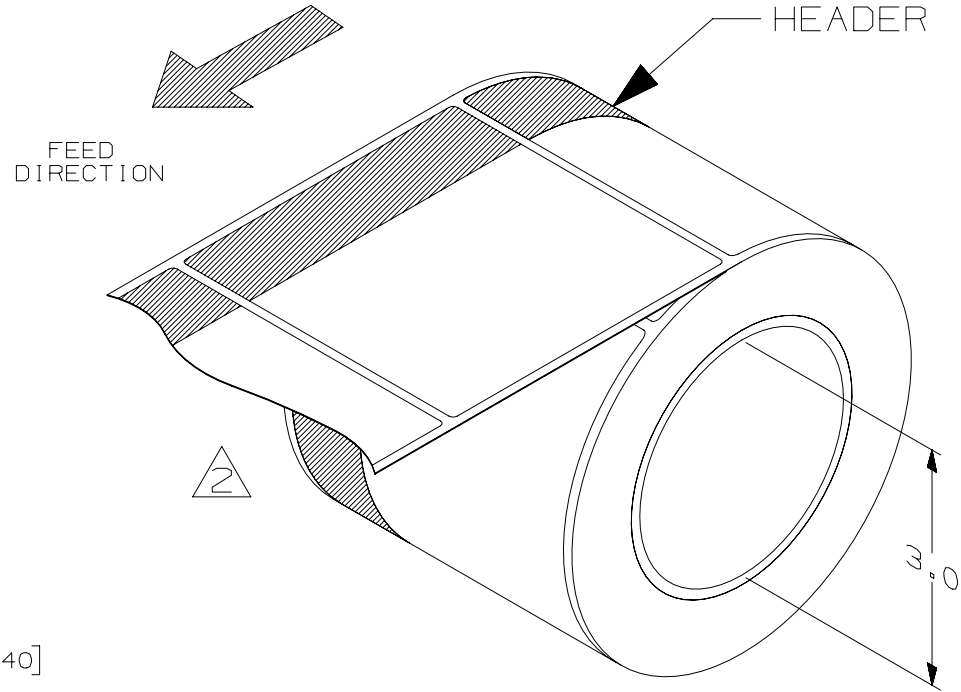
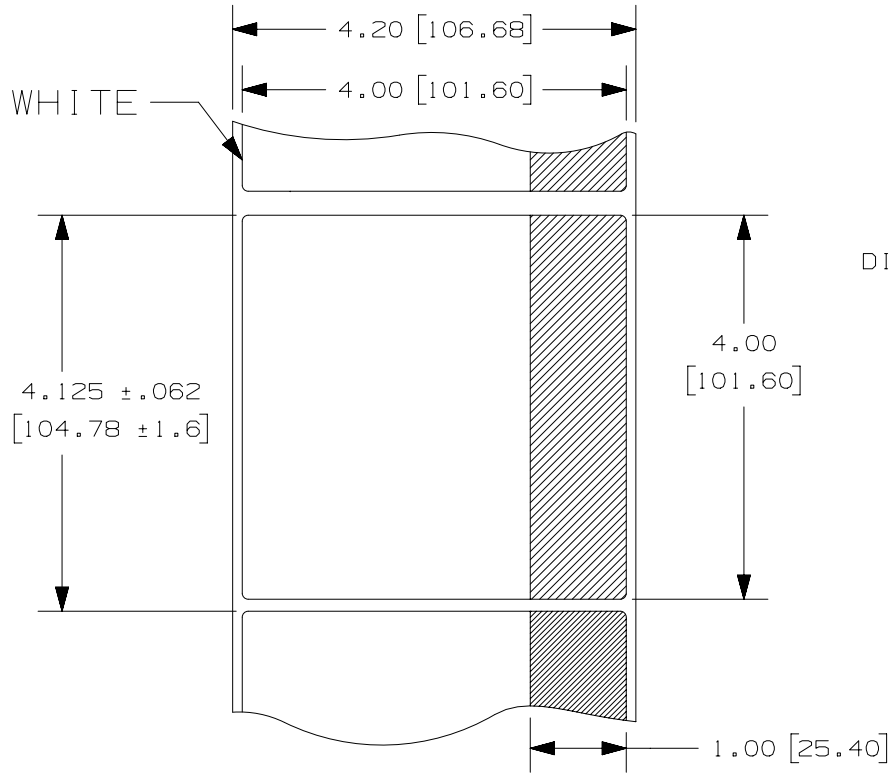


THIS COPY IS PROVIDED ON A RESTRICTED BASIS AND IS NOT TO BE USED IN ANY WAY DETRIMENTAL TO THE INTERESTS OF PANDUIT CORP.



PART NAME	HEADER COLOR	BACKGROUND COLOR	HEADER TEXT COLOR	HEADER TEXT
C400X400YZ1	RED	WHITE	WHITE	⚠ DANGER
C400X400YZT				
C400X400A51	ORANGE		BLACK	⚠ WARNING
C400X400A5T				

- NOTES:
- DIMENSIONS IN [] ARE MILLIMETERS.
 - LABELS PER ROW: 1
LABELS PER ROLL: 250.

REV	DATE	BY	CHK	APR	DESCRIPTION	ECN
2	3/29/16	RVU	SEWH	JHAC	CHANGE THE ORIENTATION TO LABEL FACING OUT AND CHANGE CORE FROM 1.0" TO 3.0" I.D. REMOVE NOTE 3 & 4.	GAECN03426
1	7/7/15	RVU	SEWH	JHAC	ADD C400X400YZT, AND C400X400A5T. ADD NOTES 3 AND 4.	GAECN02955
0	12/14/11	RVU			DRAWING RELEASE.	6606

TITLE							
THERMAL TRANSFER BLANK ARC FLASH LABELS							
CUSTOMER DRAWING							
ITEM REVISION NAME					100472ST/03		
DATASET FILE NAME					100472ST_DC_C10976/03C		
UNLESS OTHERWISE SPECIFIED, DIMENSIONAL TOLERANCES ARE: IN [mm]					PANDUIT MATERIAL: GMY4-HT* POLYESTER		
.x ± .1 [2.54]		.xxx ± .025 [.635]		DRAWING NUMBER: C10976			
.xx ± .062 [1.57]		ANGLES ±					
			THIRD ANGLE PROJECTION				
DRAWN BY	DATE	CHK	SCALE	SHT 1 OF 1		SIZE	
RVU	12/14/11	JHAC	NTS			A	

X-ON Electronics

Largest Supplier of Electrical and Electronic Components

Click to view similar products for [Wire Ducting](#) category:

Click to view products by [Panduit](#) manufacturer:

Other Similar products are found below :

[66200A-10](#) [CVED32VEPG](#) [CVED40VEPG](#) [F512D5-5F140Y](#) [F512D5-5F200Y](#) [F512D5-5F26Y](#) [F512D5-5F30Y](#) [F512D5-5F33Y](#) [F512D5-5F34Y](#) [F512D5-5F45Y](#) [F512D5-5F50Y](#) [F512D5-5F54Y](#) [F512D5-5F66Y](#) [F512D5-5F70Y](#) [F512D5-5F75Y](#) [F512D5-5F90Y](#) [F612D5-5F100Y](#) [F612D5-5F130Y](#) [F612D5-5F50Y](#) [F612D5-5F56Y](#) [F612D5-5F58Y](#) [F6L12D5-5F46](#) [F912D5-5F11Y](#) [F912D5-5F170Y](#) [F912D5-5F175Y](#) [F912D5-5F230Y](#) [F912D5-5F300Y](#) [F912D5-5F55Y](#) [F912D5-5F56Y](#) [F912D5-5F63Y](#) [F912D5-5F6Y](#) [F912D5-5F75Y](#) [F912D5-5F85Y](#) [F912D5-5F86Y](#) [F912D5-5F88Y](#) [F912D5-5F96Y](#) [FAP0047WBLMTP](#) [FAP12WBRDRDDLZ](#) [FAP12WDYLYLDLZ](#) [FAP12WEORORDLZ](#) [FAP6WEORORDLZ](#) [FAP6WFDBDBDLZ](#) [FAP8WEORORDLZ](#) [FCE2UWCL](#) [800A-LB](#) [802A-ECSP](#) [802I-ICSP](#) [FJQADH](#) [FJQFXT](#) [PED10](#)