

# Mini-Com® DIN Rail Mount Adapter

## specifications

Mini-Com® DIN Rail Mount Adapter shall be a single port adapter that shall mount to a 35mm DIN rail. Adapter shall include a label pocket, label and label cover. Mini-Com® DIN Rail Mount Adapter shall accept any single module space Mini-Com® Module.



## technical information

<b>Standards:</b>	Adapter interfaces to EN 60715, EN 50022, TH 35-7.5 DIN rail
<b>UL rating:</b>	UL94V-0, UL1863 recognized
<b>RoHS compliance:</b>	Compliant
<b>Mounting options:</b>	Mounts to a standard 35mm DIN rail
<b>Packaging:</b>	One adapter per package, supplied with one label and label cover
<b>Material:</b>	Polycarbonate

## key features and benefits

<b>Modular</b>	Accepts all single Mini-Com® Modules, which snap in and out for easy moves, adds, and changes
<b>Identification</b>	Includes label pocket with label and cover to clearly identify the port for ease of identification, maintenance, and moves, adds, and changes
<b>Low profile</b>	Compact size enables high component density on valuable DIN rail real estate
<b>Ease of Installation</b>	No custom or specialized tools required for installation or removal
<b>Grounding option</b>	Additional component creates an electrical bond between shielded jack and ground

## applications

DIN rail mount adapter allows any single module space Mini-Com® Module to securely mount to a standard 35mm DIN rail, providing an easy way to quickly move, add or change a connection, with no specialized tools required. It is ideal for any environment where DIN rails

are located. Cable is routed into a zone enclosure or control panel where the cable is terminated into a jack that is mounted into the DIN rail adapter; patch cords then connect the active equipment. Grounding kit available to allow shielded installations.

### DIN Rail Mount Adapter

**Adapter:** CADIN1IG\*

### Grounding Option

**Grounding kit:** CJSJK-XY

### Label Options

**Panther™ LS8E and**

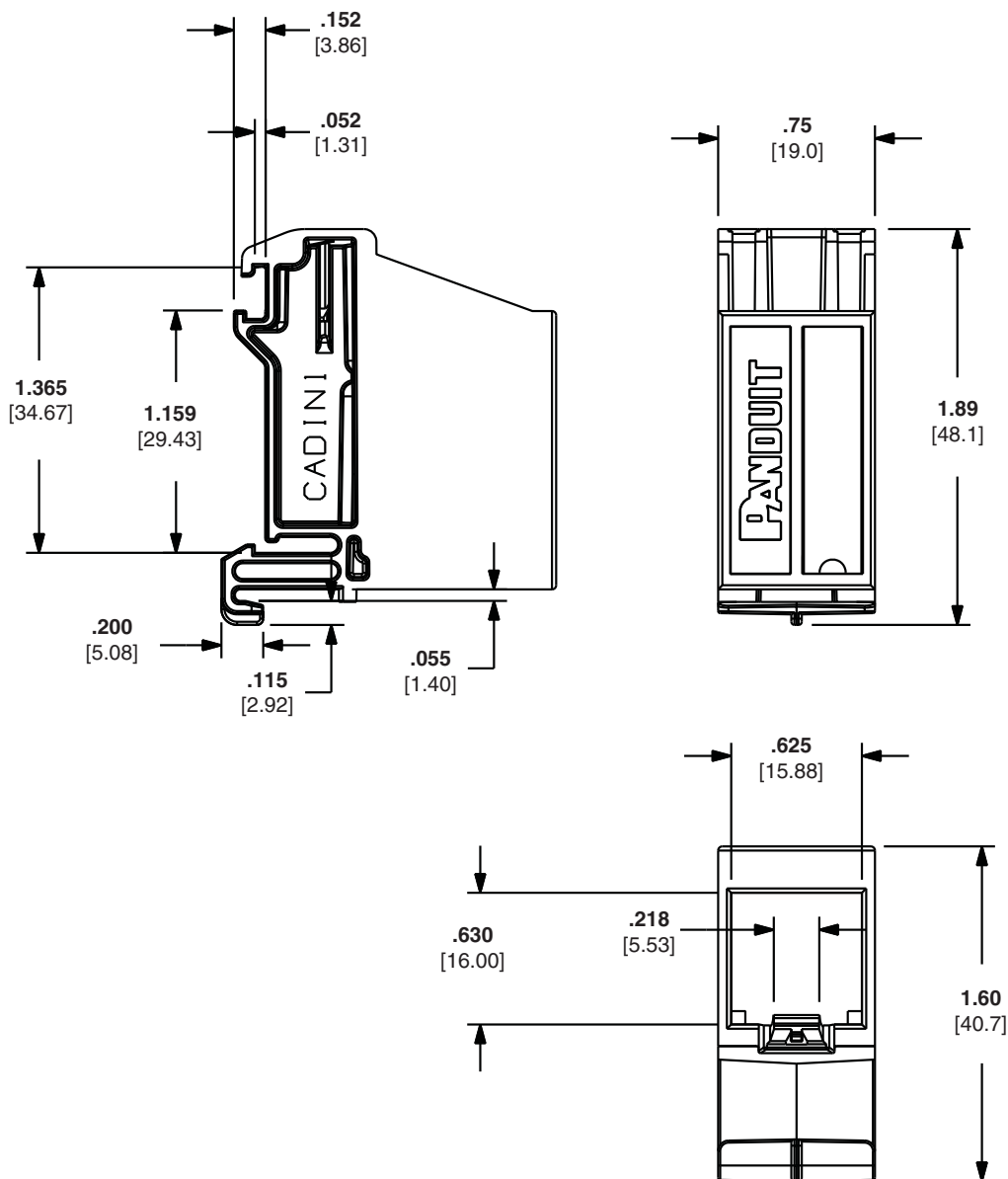
**Cougar™ LS9:** UILS8BW

### Mini-Com® Modules

Visit [www.panduit.com](http://www.panduit.com) or contact customer service for a complete line of compatible Mini-Com® Modules for copper, fiber, and audio/video applications.

\*For standard colors other than IG (International Gray), replace suffix with WH (White), IW (Off White), BL (Black) or EI (Electric Ivory).

# Mini-Com® DIN Rail Mount Adapter



Dimensions are in inches. [Dimensions in brackets are metric].

## WORLDWIDE SUBSIDIARIES AND SALES OFFICES

PANDUIT CANADA  
Markham, Ontario  
cs-cdn@panduit.com  
Phone: 800.777.3300

PANDUIT EUROPE LTD.  
London, UK  
cs-emea@panduit.com  
Phone: 44.20.8601.7200

PANDUIT SINGAPORE PTE. LTD.  
Republic of Singapore  
cs-ap@panduit.com  
Phone: 65.6305.7575

PANDUIT JAPAN  
Tokyo, Japan  
cs-japan@panduit.com  
Phone: 81.3.6863.6000

PANDUIT LATIN AMERICA  
Guadalajara, Mexico  
cs-la@panduit.com  
Phone: 52.33.3777.6000

PANDUIT AUSTRALIA PTY. LTD.  
Victoria, Australia  
cs-aus@panduit.com  
Phone: 61.3.9794.9020

For a copy of Panduit product warranties, log on to [www.panduit.com/warranty](http://www.panduit.com/warranty)

**PANDUIT®**

For more information  
Visit us at [www.panduit.com](http://www.panduit.com)  
Contact Customer Service by email: [cs@panduit.com](mailto:cs@panduit.com)  
or by phone: 800.777.3300

©2013 Panduit Corp.  
ALL RIGHTS RESERVED.  
OTSP31--WW-ENG  
Replaces WW-OTSP18  
3/2013

## X-ON Electronics

Largest Supplier of Electrical and Electronic Components

*Click to view similar products for [Modular Connectors / Ethernet Connectors](#) category:*

*Click to view products by [Panduit](#) manufacturer:*

Other Similar products are found below :

[8949-H88/06BLKA/SN](#) [74441-0010/BKN](#) [MP1010RX-1000](#) [MP44RX-1000](#) [PHP-6P6C-5](#) [GAX-3-66](#) [GAX-8-62](#) [GDCX-PA-66-50](#) [GDCX-PN-64](#) [GDCX-PN-66](#) [GDCX-PN-66-50](#) [GDLX-A-66](#) [GDLX-N-66](#) [GDLX-S-66](#) [GDLX-S-88K](#) [GDTX-S-88-50](#) [GDX-PA-1010](#) [GLX-N-1010M-BLK](#) [GLX-S-88M-BLK](#) [GMX-N-1010](#) [GMX-S-1010](#) [GMX-S-66](#) [GMX-SMT4-N-88](#) [GPX-2-64](#) [GSGX-N-2-88](#) [GSGX-N-4-88](#) [GSX-NS2-88-3.05](#) [GSX-NS2-88-3.05-50](#) [GSX-NS-88-3.05-50](#) [PT-108A-8C-UL](#) [PT-J951-8C](#) [PTS-J531-8CS-50UL](#) [1-1775629-2](#) [A-2014-0-4](#) [GWLX-S-88-GR](#) [GWLX-S9-88-YG](#) [DC-1021-8-WH-6](#) [1300530003](#) [1324640-4](#) [RJ11FTVC2G](#) [RJ11FTVC2N](#) [RJFTVX2SA1G](#) [132764-001](#) [1413235](#) [MP88X-1000](#) [MPS88RX-5000](#) [E5288-S000K3-L](#) [E5908-15A242-L](#) [155302-001](#) [AX100653](#)