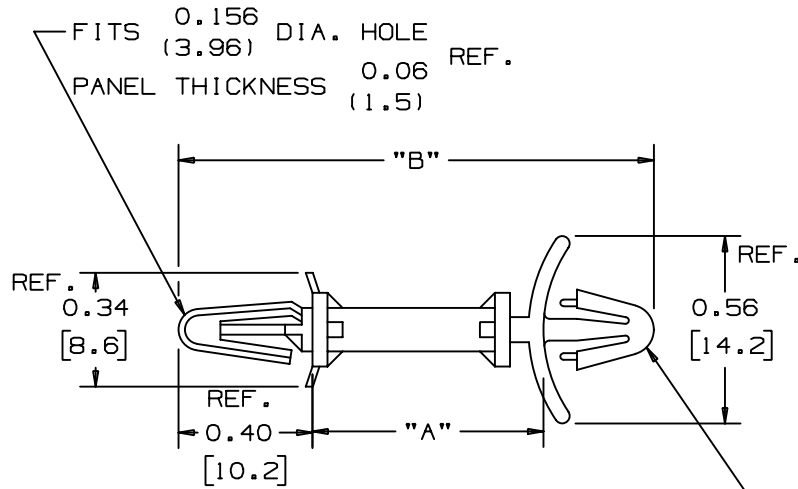
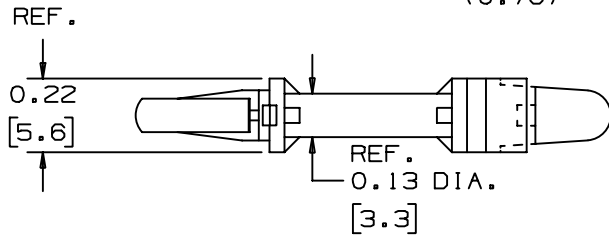


THIS COPY IS PROVIDED ON A RESTRICTED BASIS AND IS NOT TO BE USED IN ANY WAY DETRIMENTAL TO THE INTERESTS OF PANDUIT CORP.



REF: FITS 0.187 TO 0.192 DIA. HOLE (4.75) (4.88)  
 PANEL THICKNESS 0.03 TO 0.08 (0.76) (2.03)



| PANDUIT PART NO. * | "A" in/mm   | "B" in/mm   | WEIGHT lbs/100 (g)/pcs |
|--------------------|-------------|-------------|------------------------|
| CBLS18             | 0.18 (4.6)  | 0.92 (23.4) | 0.024 (11)             |
| CBLS25             | 0.25 (6.4)  | 0.98 (24.9) | 0.051 (23)             |
| CBLS37             | 0.37 (9.4)  | 1.11 (28.2) | 0.075 (34)             |
| CBLS50             | 0.50 (12.7) | 1.23 (31.2) | 0.099 (45)             |
| CBLS62             | 0.62 (15.7) | 1.35 (34.3) | 0.123 (56)             |
| CBLS75             | 0.75 (19.1) | 1.48 (37.6) | 0.150 (68)             |

NOTE:

\* SEE CURRENT PRICE SHEET FOR PART NUMBER SUFFIX, DESIGNATION FOR PACKAGE SIZE AND PART COLOR.

(DIMENSIONS IN PARENTHESES ARE IN METRIC.)

CAD FILENAME/LAYERS

G00239HL\_PI\_CBLS\_00

**PANDUIT** CORP. TINLEY PARK, ILLINOIS

CBLS  
 CIRCUIT BOARD LOCKING SUPPORT

UNLESS OTHERWISE SPECIFIED,  
 DIMENSIONAL TOLERANCES ARE:  
 (.X) ±0.1(2.5) (.XXX) ±0.020(.5)  
 (.XX) ±0.05(1.3) ANGLES ±5°

UNLESS OTHERWISE SPECIFIED,  
 ALL DIMENSIONS ARE GIVEN  
 IN INCHES, THIRD ANGLE PROJECTION.

DRAWN BY  
 LGG

MAT'L:

SCALE  
 2X

DATE  
 6/13/01

NYLON 6/6

DRAWING NO.  
 GB0239HL

DWG  
 A  
 SIZE

| REV | DATE    | BY  | CHK | DESCRIPTION                          | ECN      | R | CUST | SUP |
|-----|---------|-----|-----|--------------------------------------|----------|---|------|-----|
| R   | 6-13-01 | LGG |     | CHANGED DRAWING FROM SS-18657 (RV 4) | GB0239HL | R |      |     |

## X-ON Electronics

Largest Supplier of Electrical and Electronic Components

*Click to view similar products for [Circuit Board Hardware - PCB category](#):*

*Click to view products by [Panduit manufacturer](#):*

Other Similar products are found below :

[8919-0-00-15-00-00-03-0](#) [0135-0-15-01-30-27-04-0](#) [5970-1-15-01-32-14-04-0](#) [0149-0-15-15-30-27-04-0](#) [MBI 1 BLUE](#) [7305-0-15-15-47-14-10-0](#) [MLN 150/1 BLACK](#) [8579-0-15-80-11-27-10-0](#) [8579-1-15-15-11-27-10-0](#) [8830-0-15-01-22-14-10-0](#) [8836-0-00-21-00-00-03-0](#) [PRUEF 1 RED](#) [PRUEF 2 RED](#) [9976-0-00-00-00-00-03-0](#) [PW1616](#) [1215-3-05-00-00-00-01-0](#) [1231](#) [1303-0-15-15-47-14-04-0](#) [1404-3](#) [1404-4](#) [1406-4](#) [1407-3](#) [1406-3](#) [1407-4](#) [1408-3](#) [1424-4](#) [1427-3](#) [1419-4](#) [1426-4](#) [MPS 1 BLACK](#) [1548-103](#) [1938-0-00-00-00-00-03-0](#) [1942-0-00-00-00-00-03-0](#) [2101-3-00-44-00-00-07-0](#) [2108-2-00-50-00-00-07-0](#) [2109-2-00-44-00-00-07-0](#) [2110-2-00-44-00-00-07-0](#) [2111-2-00-00-00-00-07-0](#) [2113-4-00-44-00-00-07-0](#) [2301-3-00-44-00-00-07-0](#) [2308-1-00-50-00-00-07-0](#) [2313-2-00-00-00-00-07-0](#) [2315-2-01-44-00-00-07-0](#) [2317-2-00-50-00-00-07-0](#) [2333-1-00-50-00-00-07-0](#) [9000-0-00-00-00-00-03-0](#) [2506-2-00-50-00-00-07-0](#) [2507-2-01-44-00-00-07-0](#) [2508-2-00-44-00-00-07-0](#) [2561-2-00-44-00-00-07-0](#)