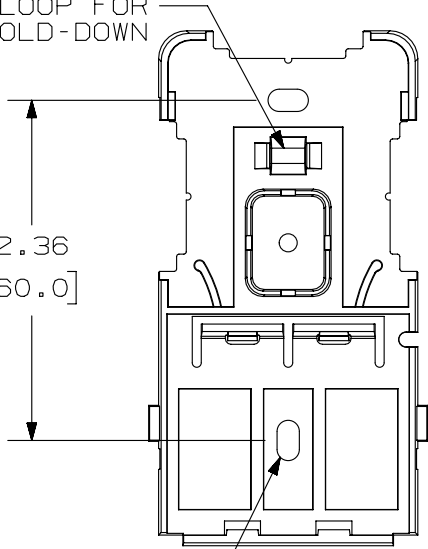


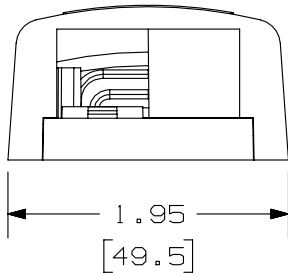
THIS COPY IS PROVIDED ON A RESTRICTED BASIS AND IS NOT TO BE USED IN ANY WAY DETRIMENTAL TO THE INTERESTS OF PANDUIT CORP.

PAN-TY LOOP FOR
CABLE HOLD-DOWN

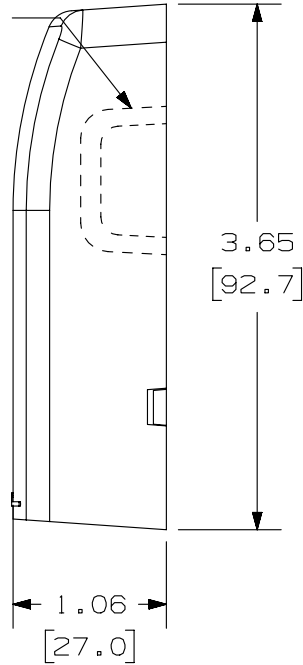
2.36
[60.0]



MOUNTING HOLES
FOR #6 PAN HEAD
SCREW (2 PLACES)



BREAKOUT AREA
(3 PLACES)



PANDUIT P/N

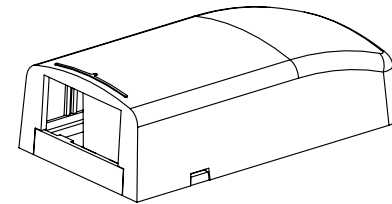
WEIGHT

CBX2**-AY

.62 LB/10 PCS
(286.1 g/10 PCS)

NOTES:

1. SEE CURRENT CATALOG FOR ADDITIONAL PART NUMBER SUFFIXES TO INDICATE COLOR AND OR PACKAGE QUANTITY.
2. SEE CATALOG FOR A COMPLETE LIST OF PARTS APPLICABLE FOR USE WITH THIS PART.
3. DIMENSIONS IN [] ARE IN METRIC.
4. ALSO INCLUDED WITH BOX:
 - 1- BOX BASE
 - 1- BOX COVER
 - 1- PLT1.51-C PAN-TY
 - 2- MOUNTING SCREW
 - 1- STRIP OF 3.00" X .75" FOAM TAPE FOR MOUNTING
 - 1- ID LABEL KIT
5. BREAKOUTS DESIGNED TO ACCEPT LD3/LDP3 OR LD5/LDP5 RACEWAY.
6. BASE MATERIAL THICKNESS= .090 [2.29]



NO WARRANTY, EXPRESSED OR IMPLIED, IS MADE BY PANDUIT WITH RESPECT TO ADHESIVE BOND PERFORMANCE. AMONG OTHER THINGS, THE CONDITIONS UNDER WHICH THESE MOUNTS MAY BE APPLIED AND/OR THE SURFACE TO WHICH THEY MAY BE APPLIED ARE BEYOND PANDUIT'S CONTROL.

PART NUMBER		CBX2**-AY	
TITLE			
MINI-COM 2 POSITION SURFACE MOUNT BOX			
CUSTOMER DRAWING			
ITEM REVISION NAME		M02479EN/00	
DATASET FILE NAME		M02479EN_DC120/00B	
UNLESS OTHERWISE SPECIFIED, DIMENSIONAL TOLERANCES ARE: IN [mm]		MATERIAL:	
.x ± .1 [2.54]		.xxx ± .005 [.127]	
.xx ± .01 [.25]		ANGLES ± 5 °	
DRAWN BY		SCALE	
JSP		NONE	
DATE		SHT 1 OF 1	
1-26-07		A	
CHK		DRAWING NUMBER:	
MJD		02479-120	
MJD		THIRD ANGLE PROJECTION	
APR		SIZE	
DESCRIPTION		A	
ECN		A	
02479-120		A	
02479-120		A	

REV	DATE	BY	CHK	APR	DESCRIPTION	ECN
1	3/11/14	JSP	REFR	MMR	A. REVISED DRAWING TITLE BLOCK.	02479-120
R	1-26-07	JSP	MJD	MJD	RELEASED TO PRODUCTION	02479-120

D10100DX/14

X-ON Electronics

Largest Supplier of Electrical and Electronic Components

Click to view similar products for [Wire Ducting & Raceways](#) category:

Click to view products by [Panduit](#) manufacturer:

Other Similar products are found below :

[800A-LB](#) [801I-LSP](#) [802A-ECSP](#) [802I-ICSP](#) [923223-000](#) [PRAF6WH-X](#) [A0405538](#) [1301150342](#) [1301160034](#) [1301170070](#) [1301180011](#)
[1301230083](#) [1301230153](#) [1301240273](#) [1301250006](#) [1302261238](#) [1302261321](#) [1302262552](#) [1302263103](#) [1302263178](#) [1302263259](#)
[1302263816](#) [1302263860](#) [1302264375](#) [1302264390](#) [1301150343](#) [1301160030](#) [1301170050](#) [1301170051](#) [1301170061](#) [1301180013](#)
[1301230086](#) [1301230130](#) [1301240054](#) [1302260055](#) [1302260376](#) [1302261343](#) [1302261344](#) [1302262674](#) [1302263095](#) [1302263166](#)
[1302263209](#) [1302263513](#) [1302263851](#) [1302263870](#) [1302264137](#) [1302264218](#) [DD1/J](#) [AX101472](#) [AX102007](#)