

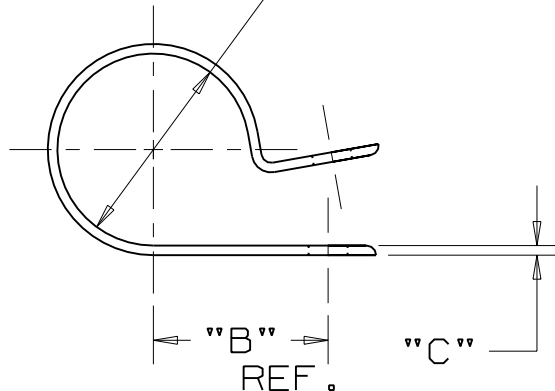
THIS COPY IS PROVIDED ON A RESTRICTED BASIS AND IS NOT TO BE USED IN ANY WAY DETRIMENTAL TO THE INTERESTS OF PANDUIT CORP.

PANDUIT PART NUMBER	"A" in/(mm)	"B" REF. in/(mm)	"C" in/(mm)	"D" in/(mm)	"E" in/(mm)	WEIGHT lbs (g)/ 100 pcs
CCH12-S10	0.12 (3.1)	0.36 (9.1)	0.050 (1.3)	0.50 (12.7)	0.203 (5.1)	0.12 (52.5)
CCH19-S10	0.19 (4.8)	0.42 (10.7)	0.050 (1.3)	0.50 (12.7)	0.203 (5.1)	0.15 (67.2)
CCH25-S10	0.25 (6.3)	0.46 (11.7)	0.050 (1.3)	0.50 (12.7)	0.203 (5.1)	0.16 (74.0)
CCH31-S10	0.31 (7.9)	0.50 (12.7)	0.050 (1.3)	0.50 (12.7)	0.203 (5.1)	0.18 (83.7)
CCH38-S10	0.38 (9.5)	0.53 (13.5)	0.050 (1.3)	0.50 (12.7)	0.203 (5.1)	0.23 (105.8)
CCH44-S10	0.44 (11.1)	0.56 (14.2)	0.050 (1.3)	0.50 (12.7)	0.203 (5.1)	0.22 (99.4)
CCH50-S10	0.50 (12.7)	0.59 (15.0)	0.050 (1.3)	0.50 (12.7)	0.203 (5.1)	0.24 (109.1)
CCH56-S10	0.56 (14.2)	0.61 (15.5)	0.050 (1.3)	0.50 (12.7)	0.203 (5.1)	0.25 (114.8)
CCH62-S10	0.62 (15.7)	0.65 (16.5)	0.050 (1.3)	0.50 (12.7)	0.203 (5.1)	0.29 (131.1)
CCH69-S10	0.69 (17.5)	0.75 (19.1)	0.050 (1.3)	0.50 (12.7)	0.203 (5.1)	0.33 (150.3)
CCH75-S10	0.75 (19.1)	0.78 (19.8)	0.050 (1.3)	0.50 (12.7)	0.203 (5.1)	0.33 (149.3)
CCH81-S10	0.81 (20.6)	0.81 (20.6)	0.050 (1.3)	0.50 (12.7)	0.203 (5.1)	0.34 (156.4)
CCH87-S10	0.87 (22.1)	0.84 (21.3)	0.050 (1.3)	0.50 (12.7)	0.203 (5.1)	0.35 (160.9)
CCH100-S10	1.00 (25.4)	0.91 (23.1)	0.050 (1.3)	0.50 (12.7)	0.203 (5.1)	0.46 (209.7)
CCH112-S10	1.12 (28.4)	0.97 (24.6)	0.050 (1.3)	0.50 (12.7)	0.203 (5.1)	0.53 (239.2)
CCH119-S10	1.19 (30.2)	1.00 (25.4)	0.050 (1.3)	0.50 (12.7)	0.203 (5.1)	0.57 (259.3)
CCH125-S10	1.25 (31.8)	1.06 (26.9)	0.050 (1.3)	0.50 (12.7)	0.203 (5.1)	0.58 (260.8)
CCH138-S10	1.37 (34.8)	1.12 (28.4)	0.050 (1.3)	0.50 (12.7)	0.203 (5.1)	0.64 (288.9)
CCH150-S10	1.50 (38.1)	1.19 (30.2)	0.050 (1.3)	0.50 (12.7)	0.203 (5.1)	0.69 (310.9)



FRACTIONAL PART SIZE NOTED HERE.

"A" DIA WHEN CLOSED



NOTES:

- SEE CURRENT PRICE SHEET FOR PART NUMBER SUFFIX DESIGNATION FOR PACKAGE SIZE AND PART COLOR.

(DIMENSIONS IN PARENTHESES ARE IN METRIC.)

CAD FILENAME/LAYERS G00239DW\_PI\_CCH\_02

**PANDUIT** CORP. TINLEY PARK, ILLINOIS

CCH - CABLE CLAMP

UNLESS OTHERWISE SPECIFIED, DIMENSIONAL TOLERANCES ARE:  
 (.X) ±0.1(2.5) (.XXX) ±0.015(1.4)  
 (.XX) ±0.05(1.3) ANGLES ± 5°

UNLESS OTHERWISE SPECIFIED, ALL DIMENSIONS ARE GIVEN IN INCHES, THIRD ANGLE PROJECTION.

DRAWN BY CJG

MAT'L:

SCALE NONE

DATE 6/26/96

NYLON 6/6

DRAWING NO.

GB0239DW

DWG A SIZE

REV	DATE	BY	CHK	DESCRIPTION	ECN	R	CUST	SUP
2	2/7/06	JAD		UPDATE LOCATION OF FRACTIONAL PART SIZE INDICATOR	GB0239DW	2		

## X-ON Electronics

Largest Supplier of Electrical and Electronic Components

*Click to view similar products for [Cable Mounting & Accessories](#) category:*

*Click to view products by [Panduit](#) manufacturer:*

Other Similar products are found below :

[582603-1](#) [009333-000](#) [727844N003](#) [747](#) [809090N001](#) [843188-000](#) [8666](#) [967279N002](#) [DB-11](#) [1300840039](#) [1300900096](#) [1301800416](#)  
[1302264450](#) [1300830184](#) [1300830729](#) [1300900039](#) [1301580036](#) [1301850553](#) [1301860939](#) [1302000074](#) [1302261315](#) [1302264431](#)  
[1337706-2](#) [APA18-AK](#) [1724](#) [1-787307-1](#) [185491N001](#) [1868](#) [HP-6N](#) [C-202-C](#) [202C221-13-0](#) [CA7308-000](#) [8S23-75FR-CS8184](#) [2684](#) [9648](#)  
[3089](#) [988382-000](#) [A72821-000](#) [AA401](#) [173506-000](#) [1823](#) [202C292-13-0](#) [202C302-13-0](#) [2109](#) [300625](#) [3330](#) [3412](#) [356247-1](#) [M9142](#)  
[M9143](#)