

THIS COPY IS PROVIDED ON A RESTRICTED BASIS AND IS NOT TO BE USED IN ANY WAY DETRIMENTAL TO THE INTERESTS OF PANDUIT CORP.

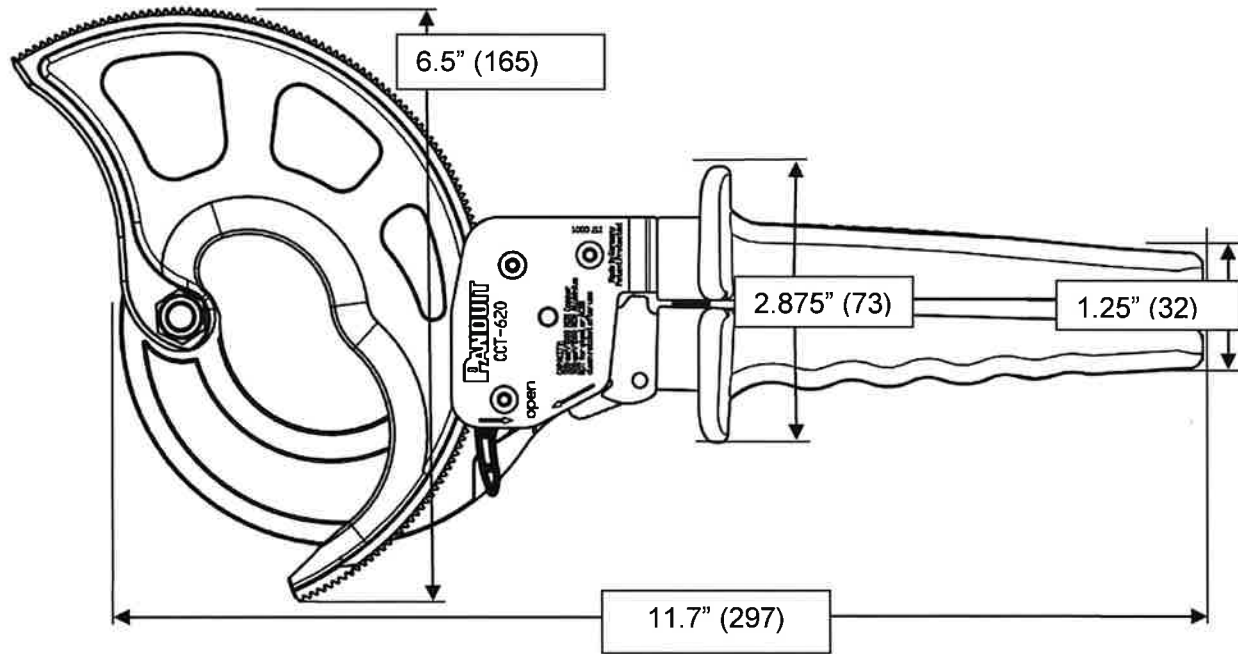
NOTES, UNLESS OTHERWISE SPECIFIED:
PANDUIT TOOL NUMBER: CCT-620

THIS TOOLS' FEATURES INCLUDE:

- One hand operation due to an optimal force transmission ratio and a stepwise cutting up to 2.44" (62mm) diameter.
- Unlocking possibility in every position.
- All parts made of high tempered special steel.
- Blades and stressed parts are specially tempered or hardened.
- Tool has a burnished surface.
- Tool has ergonomically formed soft-handle grips.
- Tool is RoHS compliant and fully recyclable.
- Tool cuts both Copper and Aluminum solid and stranded cables up to 2.44" (62mm) in diameter.
- DO NOT USE THIS TOOL TO CUT STEEL OR ASCR CABLE.

APPROX. DIMENSIONS: 11.7" (297) Long x 6.5" (165) Wide x 1.31" (33) Thick
TOOL WEIGHT: 28.2oz., (800gr.)

DIMENSIONS SHOWN IN PARENTHESES ARE METRIC.



File Location: TeamCenter

CD * CCT-620 CABLE CUTTER

CUSTOMER DRAWING

ITEM REVISION NAME:

CG29168A01_00

PANDUIT

UNLESS OTHERWISE SPECIFIED,
DIMENSIONAL TOLERANCES ARE:

(.x) ± --- (.xxx) ± ---
(.xx) ± --- ANGLES ± ---

MATERIAL:

DRAWING NUMBER:
CG29168A01

THIRD ANGLE
PROJECTION

DRAWN BY: BLR DATE: 2-13-18 CHK: --- SCALE: NONE

SHT 1 OF 1 SIZE A

00	2-13-18	BLR		JADE	RELEASED	22430
REV	DATE	BY	CHK	APR	DESCRIPTION	ECN

X-ON Electronics

Largest Supplier of Electrical and Electronic Components

Click to view similar products for [Wire Stripping & Cutting Tools](#) category:

Click to view products by [Panduit](#) manufacturer:

Other Similar products are found below :

[6-690504-4](#) [693855-1](#) [813066-2](#) [844764-5](#) [844765-5](#) [1-240642-7](#) [133900-001](#) [1-356885-4](#) [1424635-1](#) [1424649-1](#) [1424650-1](#) [1440-0013-84](#)
[1-458031-5](#) [1-458030-5](#) [MT10-250Q](#) [1755](#) [2-539783-7](#) [L-5211](#) [1633578-3](#) [F10-10Q](#) [1-844765-9](#) [251465-1](#) [R282066100](#) [313808-1](#)
[CST596711](#) [458031-9](#) [462839-1](#) [467281-1](#) [4-690504-2](#) [406339-3](#) [L-4994](#) [45-265](#) [453653-1](#) [45-418](#) [455177-1](#) [455671-4](#) [458144-8](#) [462548-](#)
[1](#) [464661-1](#) [224186-1](#) [679746-1](#) [809687-1](#) [852080-2](#) [856695-8](#) [11-40-4082](#) [458030-1](#) [679326-7](#) [605744-1](#) [690784-2](#) [844764-1](#)