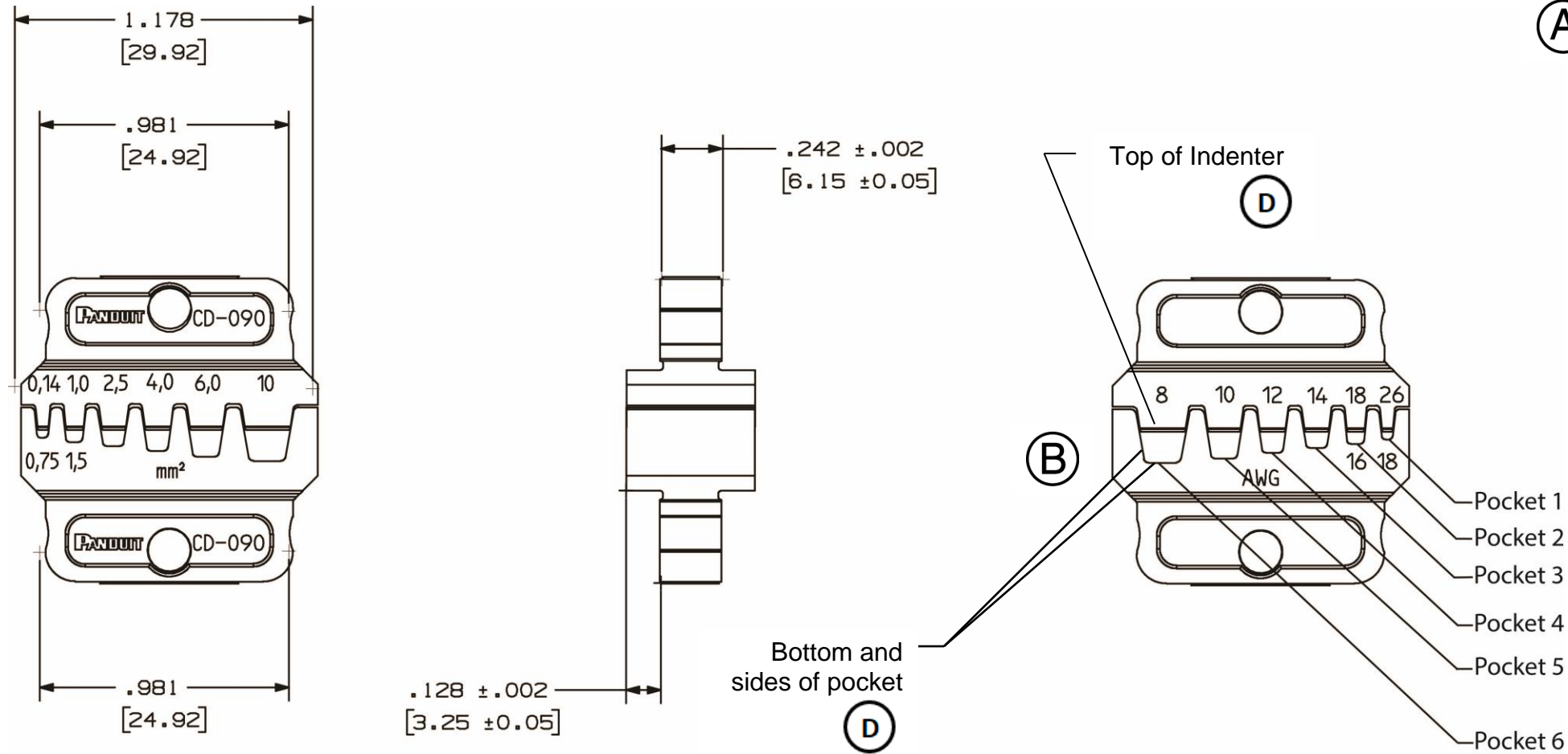


THIS COPY IS PROVIDED ON A RESTRICTED BASIS AND IS NOT TO BE USED IN ANY WAY DETRIMENTAL TO THE INTERESTS OF PANDUIT CORP.



NOTES, UNLESS OTHERWISE SPECIFIED:

- Interchangeable Crimp Die Inserts used with CT-2500CH Crimp Head frame and CT-2300 Micro Crimp Tool to crimp Panduit #26 - 8 AWG (0,14 – 10,0mm²) insulated and non-insulated single wire ferrules and #22 - 12 AWG (0,05 – 4,0mm²) insulated twin ferrules with a square profile
- Laser etched as shown
- Bottom and sides of pockets and top of indenters polished

(D)

WEIGHT: 4.3 oz. [0.12] kg

DIMENSIONS SHOWN ARE FOR REFERENCE ONLY.

DIMENSIONS IN BRACKETS [MM] ARE METRIC.

| CD-090 CRIMP POCKET | ENGLISH GO / NO GO GAGE MEMBERS | | METRIC GO / NO GO GAGE MEMBERS | |
|---------------------------|---------------------------------------|----------------------|--------------------------------------|----------------------|
| | "G" Dia. (GO) | "NG" Dia. (NO GO) | "G" Dia. (GO) | "NG" Dia. (NO GO) |
| 1 | 0.018" | 0.026" | 0,45mm | 0,65mm |
| 2 | 0.035" | 0.043" | 0,90mm | 1,10mm |
| 3 | 0.051" | 0.059" | 1,30mm | 1,50mm |
| 4 | 0.071" | 0.079" | 1,80mm | 2,00mm |
| 5 | 0.093" | 0.104" | 2,35mm | 2,55mm |
| 6 | 0.110" | 0.118" | 2,80mm | 3,00mm |

| CROSS SECTION | | |
|---------------|-----------------|---------|
| PROFILE | mm ² | AWG |
| 1 | 0,14 – 0,75 | 22 - 18 |
| 2 | 1,0 – 1,5 | 18 – 16 |
| 3 | 2,5 | 14 |
| 4 | 4,0 | 12 |
| 5 | 6,0 | 10 |
| 6 | 10,0 | 8 |

(C)

File Location: Teamcenter

| CD-090 DIE SET | | | | | | |
|------------------|----------|------|------|------|---|----------|
| CUSTOMER DRAWING | | | | | | |
| 02 | 5-22-19 | BWG | BJPU | JADE | (D) ADDED POLISH AND LASER NOTES AND INDICATED POCKET AND INDENTER. | 10220/01 |
| 01 | 3-15-18 | BLR | BJPU | JADE | (A) WAS 26-10(0,14-6,0); (B) ADD | 20454 |
| ---- | ---- | ---- | ---- | ---- | AWG/SIZE LASER ETCH; (C) ADD | ---- |
| ---- | ---- | ---- | ---- | ---- | AWG COLUMN | ---- |
| 00 | 11-22-16 | BLR | BJPU | JADE | RELEASED | 11042 |

ITEM REVISION NAME:
TF28309B01_02

UNLESS OTHERWISE SPECIFIED, DIMENSIONAL TOLERANCES ARE:

| | | | |
|---------|-----|----------|-----|
| (.x) ± | --- | (.xxx) ± | --- |
| (.xx) ± | --- | ANGLES ± | --- |

THIRD ANGLE PROJECTION

MATERIAL: -----

DRAWING NUMBER:
TF28309B01

X-ON Electronics

Largest Supplier of Electrical and Electronic Components

Click to view similar products for [Wire Ducting & Raceways](#) category:

Click to view products by [Panduit](#) manufacturer:

Other Similar products are found below :

[800A-LB](#) [801I-LSP](#) [802A-ECSP](#) [802I-ICSP](#) [923223-000](#) [PRAF6WH-X](#) [A0405538](#) [1301150342](#) [1301160034](#) [1301170070](#) [1301180011](#)
[1301230083](#) [1301230153](#) [1301240273](#) [1301250006](#) [1302261238](#) [1302261321](#) [1302262552](#) [1302263103](#) [1302263178](#) [1302263259](#)
[1302263816](#) [1302263860](#) [1302264375](#) [1302264390](#) [1301150343](#) [1301160030](#) [1301170050](#) [1301170051](#) [1301170061](#) [1301180013](#)
[1301230086](#) [1301230130](#) [1301240054](#) [1302260055](#) [1302260376](#) [1302261343](#) [1302261344](#) [1302262674](#) [1302263095](#) [1302263166](#)
[1302263209](#) [1302263513](#) [1302263851](#) [1302263870](#) [1302264137](#) [1302264218](#) [DD1/J](#) [AX101472](#) [AX102007](#)