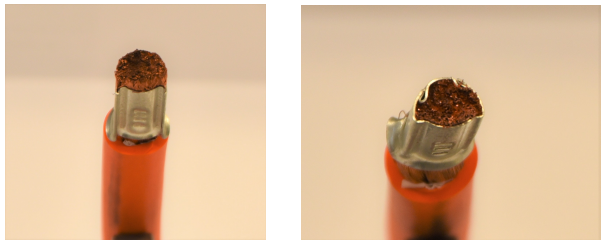


THIS COPY IS PROVIDED ON A RESTRICTED BASIS AND IS NOT TO BE USED IN ANY WAY DETRIMENTAL TO THE INTERESTS OF PANDUIT CORP.

NOTES, UNLESS OTHERWISE SPECIFIED:

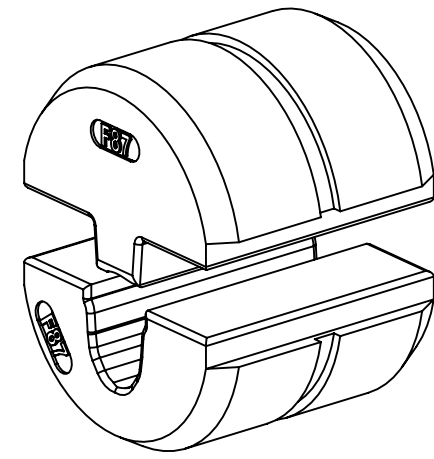
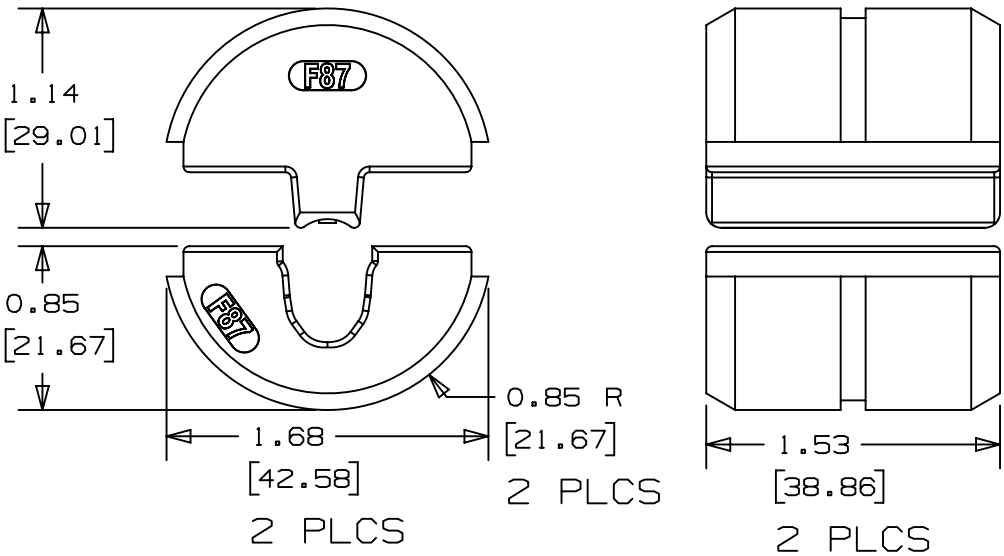
PART MUST BE RoHS COMPLIANT.

1. DIMENSIONS IN BRACKETS ARE IN METRIC.
2. RECOMMENDED TOOL: CT-3001/ST
3. COMPATIBLE TOOLS: CT-2931/ST, CT-920CH, CT-930LPCH
4. WIRE SIZE: 1 AWG, 1/0
5. CRIMPS: F87 FERRULES - ALL SIZES
6. DIE HALVES ARE HEAT TREATED TO Rc 32-35
7. DIE HALVES ARE NICKLON PLATED FOR LUBRICITY/DURABILITY
8. DIE HALVES AND PLATING ARE RoHS COMPLIANT.
9. F87-18 FERRULES CRIMPED ON 1 AWG WIRE MUST BE DOUBLE CRIMPED TO ACHIEVE UL LISTED/CSA CERTIFIED TERMINATIONS.
 - 1ST CRIMP: STANDARD CRIMP, FERRULE FUNNEL AGAINST DIE SET, CABLE INSULATION AGAINST FUNNEL.
 - 2ND CRIMP: REMOVE CRIMPED FERRULE, ROTATE 180° AND RE-INSERT. RECRIMP FERRULE.



SINGLE CRIMP
(FIRST CRIMP)

DOUBLE CRIMP
(SECOND CRIMP)



INSTALLATION INSTRUCTION NUMBER	PA28870A01	N/A
TITLE	CD-920-F87 CUSTOMER DRAWING	
	CUSTOMER DRAWING	
ITEM REVISION NAME	R28874AA/01	PANDUIT
DATASET FILE NAME	R28874AA-00-dwg1	
UNLESS OTHERWISE SPECIFIED, DIMENSIONAL TOLERANCES ARE: IN [mm]		
	.x ± .1 [2.54]	.xxx ± .005 [.127]
	.xx ± .01 [.25]	ANGLES ± 5 °
	THIRD ANGLE PROJECTION	
MATERIAL:	4140 STEEL / RC 32-35	
DRAWING NUMBER:	TD28874A01	
DRAWN BY	DATE	CHK
BJPU	03/30/17	JADE
SCALE	1:1	
SHT 1 OF 1	A	

REV	DATE	BY	CHK	APR	DESCRIPTION	ECN
01	08-28-17	BJPU	JEH	JADE	OFFICIAL RELEASE OF CD-920-F87 CUSTOMER DRAWING ADDED NOTE # 9	013588
00	03-30-17	BJPU	JEH	JADE	RELEASED	---

X-ON Electronics

Largest Supplier of Electrical and Electronic Components

Click to view similar products for [Crimpers / Crimping Tools](#) category:

Click to view products by [Panduit](#) manufacturer:

Other Similar products are found below :

[010-0096](#) [M225202-37](#) [6-1579015-5](#) [CT150-2-D02](#) [622-6441LF](#) [M322](#) [6-304052-1](#) [63456-0054](#) [63484-3701](#) [63800-8355](#) [63819-1875](#)
[63819-2875](#) [63819-4475](#) [63823-3475](#) [63827-5375](#) [64001-0975](#) [64001-4175](#) [64005-0175](#) [662903-2](#) [690602-6](#) [7-1579001-9](#) [7-23471-1](#)
[762637-1](#) [808714-1](#) [811242-5](#) [999-50-020083](#) [1-21002-3](#) [1-21002-7](#) [12085270](#) [1-21002-6](#) [1-21113-6](#) [1-22548-4](#) [125442-1](#)
[DCE.91.073.BVC](#) [DCE.91.090.3MVM](#) [DCE.91.130.5MVU](#) [DCE.91.202.BVCM](#) [1338300-1](#) [1-354003-0](#) [1338301-1](#) [DF62/RE-MD](#) [142321](#)
[1456088-1](#) [1490794-1](#) [1-45804-6](#) [1490357-2](#) [1490357-3](#) [AX100749](#) [1-59619-7](#) [1596970-1](#)