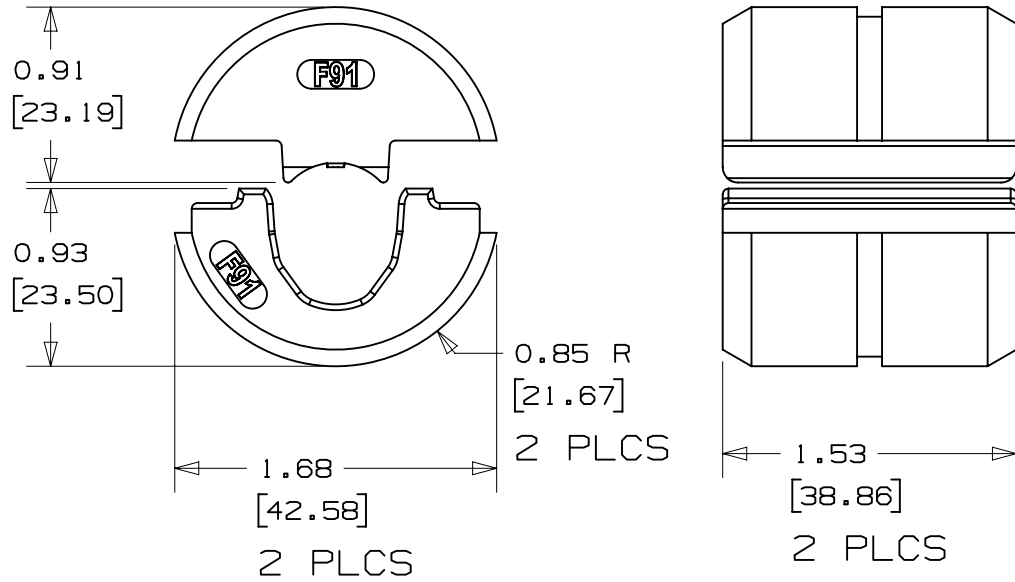


THIS COPY IS PROVIDED ON A RESTRICTED BASIS AND IS NOT TO BE USED IN ANY WAY DETRIMENTAL TO THE INTERESTS OF PANDUIT CORP.

NOTES, UNLESS OTHERWISE SPECIFIED:

PART MUST BE RoHS COMPLIANT.

- 1. DIMENSIONS IN BRACKETS ARE IN METRIC.
- 2. RECOMMENDED TOOL: CT-3001/ST
- 3. COMPATIBLE TOOLS: CT-2931/ST, CT-920CH, CT-930LPCH
- 4. WIRE SIZE: 4/0, 250kcmil
- 5. CRIMPS: F91 FERRULES - ALL SIZES
- 6. DIE HALVES ARE HEAT TREATED TO Rc 32-35
- 7. DIE HALVES ARE NICKLON PLATED FOR LUBRICITY/DURABILITY



INSTALLATION INSTRUCTION NUMBER PA28870A01		WORK INSTRUCTION FMEA & CONTROL PLAN NUMBER N/A						
TITLE CD-920-F91 CUSTOMER DRAWING								
CUSTOMER DRAWING								
ITEM REVISION NAME R28877AA/01		PANDUIT						
DATASET FILE NAME R28877AA-00-dwg1								
UNLESS OTHERWISE SPECIFIED, DIMENSIONAL TOLERANCES ARE: IN [mm]		MATERIAL: 4140 STEEL / RC 32-35						
.x ± .1 [2.54] .xxx ± .005 [.127]		DRAWING NUMBER: TD28877A01						
.xx ± .01 [.25] ANGLES ± 5 °								
THIRD ANGLE PROJECTION		DRAWING NUMBER: TD28877A01						
DRAWN BY BJPU	DATE 03/30/17	CHK JADE	SCALE 1:1					
REV	DATE	BY	CHK	APR	DESCRIPTION	ECN	SHT 1 OF 1	SIZE A

X-ON Electronics

Largest Supplier of Electrical and Electronic Components

Click to view similar products for [Crimpers / Crimping Tools](#) category:

Click to view products by [Panduit](#) manufacturer:

Other Similar products are found below :

[010-0096](#) [M225202-37](#) [6-1579015-5](#) [CT150-2-D02](#) [622-6441LF](#) [M322](#) [6-304052-1](#) [63456-0054](#) [63484-3701](#) [63800-8355](#) [63819-1875](#)
[63819-2875](#) [63819-4475](#) [63823-3475](#) [63827-5375](#) [64001-0975](#) [64001-4175](#) [64005-0175](#) [662903-2](#) [690602-6](#) [7-1579001-9](#) [7-23471-1](#)
[762637-1](#) [808714-1](#) [811242-5](#) [999-50-020083](#) [1-21002-3](#) [1-21002-7](#) [12085270](#) [1-21002-6](#) [1-21113-6](#) [1-22548-4](#) [125442-1](#)
[DCE.91.073.BVC](#) [DCE.91.090.3MVM](#) [DCE.91.130.5MVU](#) [DCE.91.202.BVCM](#) [1338300-1](#) [1-354003-0](#) [1338301-1](#) [DF62/RE-MD](#) [142321](#)
[1456088-1](#) [1490794-1](#) [1-45804-6](#) [1490357-2](#) [1490357-3](#) [AX100749](#) [1-59619-7](#) [1596970-1](#)