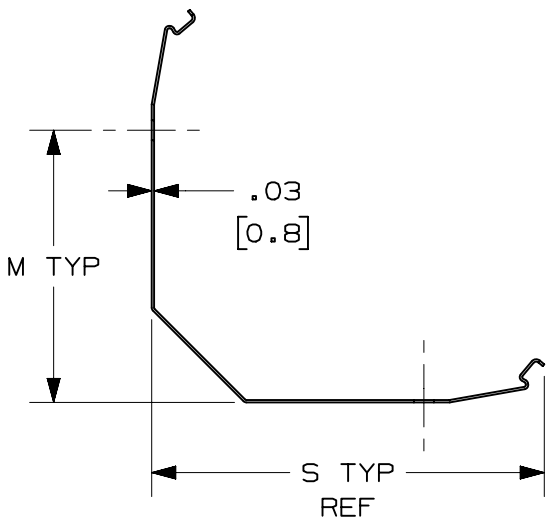


2

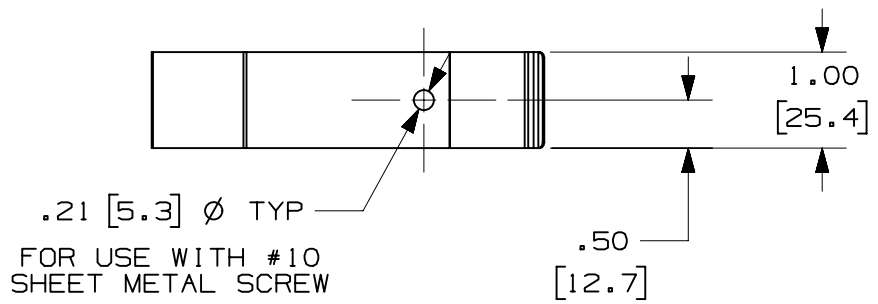
1

THIS COPY IS PROVIDED ON A RESTRICTED BASIS AND IS NOT TO BE USED IN ANY WAY DETRIMENTAL TO THE INTERESTS OF PANDUIT CORP.



NOTES:
 1. DIMENSIONS IN PARENTHESES ARE METRIC.
 2. USED WITH CORNER DUCT - SEE DRAWING # 39210-03

PART NO.	M	S	USED WITH
CDCLP2	1.60 [40.5]	2.32 [58.9]	CWD2**6
CDCLP3	1.91 [48.5]	3.13 [79.6]	CWD3**6
CDCLP4	2.84 [72.0]	4.09 [103.9]	CWD4**6



FOR USE WITH #10 SHEET METAL SCREW



REV	DATE	BY	CHK	APR	DESCRIPTION	ECN
4	07.29.13	BDK	MRJS	RTFI	G. ADDED CDCLP2	39187-04
3	03-06-13	JBN	RTFI	RTFI	F. UPDATED DRAWING BORDER & TITLE BLOCK	39187-04

TITLE		WIRING DUCT SPECIFICATIONS CORNER DUCT MOUNTING CLIP	
ITEM REVISION NAME		CUSTOMER DRAWING	
DATASET FILE NAME		D39353BA/06	
UNLESS OTHERWISE SPECIFIED, DIMENSIONAL TOLERANCES ARE: IN [mm]		PANDUIT	
.X ± .XX ± .04 [1.0] .XXX ± ANGES ±			
DRAWN BY: JCST DATE: 02-01-06 CHK: JKG SCALE: NONE		THIRD ANGLE PROJECTION	
MATERIAL:		CDCLP2: STAINLESS STEEL CLCLP3 & 4: SPRING STEEL	
DRAWING NUMBER:		39178-04	
SHT 1 OF 1		A	

2

1

D10100DA/15

X-ON Electronics

Largest Supplier of Electrical and Electronic Components

Click to view similar products for [Wire Ducting & Raceways](#) category:

Click to view products by [Panduit](#) manufacturer:

Other Similar products are found below :

[800A-LB](#) [801I-LSP](#) [802A-ECSP](#) [802I-ICSP](#) [923223-000](#) [PRAF6WH-X](#) [A0405538](#) [1301150342](#) [1301160034](#) [1301170070](#) [1301180011](#)
[1301230083](#) [1301230153](#) [1301240273](#) [1301250006](#) [1302261238](#) [1302261321](#) [1302262552](#) [1302263103](#) [1302263178](#) [1302263259](#)
[1302263816](#) [1302263860](#) [1302264375](#) [1302264390](#) [1301150343](#) [1301160030](#) [1301170050](#) [1301170051](#) [1301170061](#) [1301180013](#)
[1301230086](#) [1301230130](#) [1301240054](#) [1302260055](#) [1302260376](#) [1302261343](#) [1302261344](#) [1302262674](#) [1302263095](#) [1302263166](#)
[1302263209](#) [1302263513](#) [1302263851](#) [1302263870](#) [1302264137](#) [1302264218](#) [DD1/J](#) [AX101472](#) [AX102007](#)