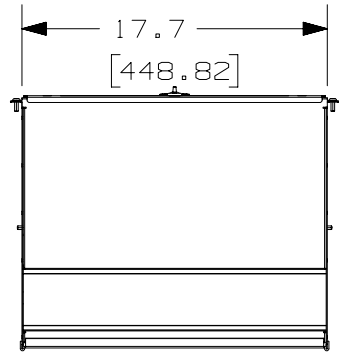
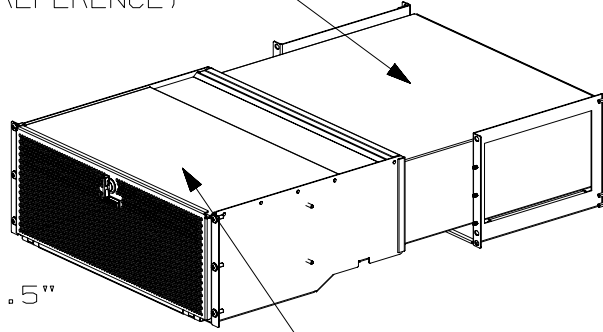


THIS COPY IS PROVIDED ON A RESTRICTED BASIS AND IS NOT TO BE USED IN ANY WAY DETRIMENTAL TO THE INTERESTS OF PANDUIT CORP.



CISCO SWITCH  
(REFERENCE)



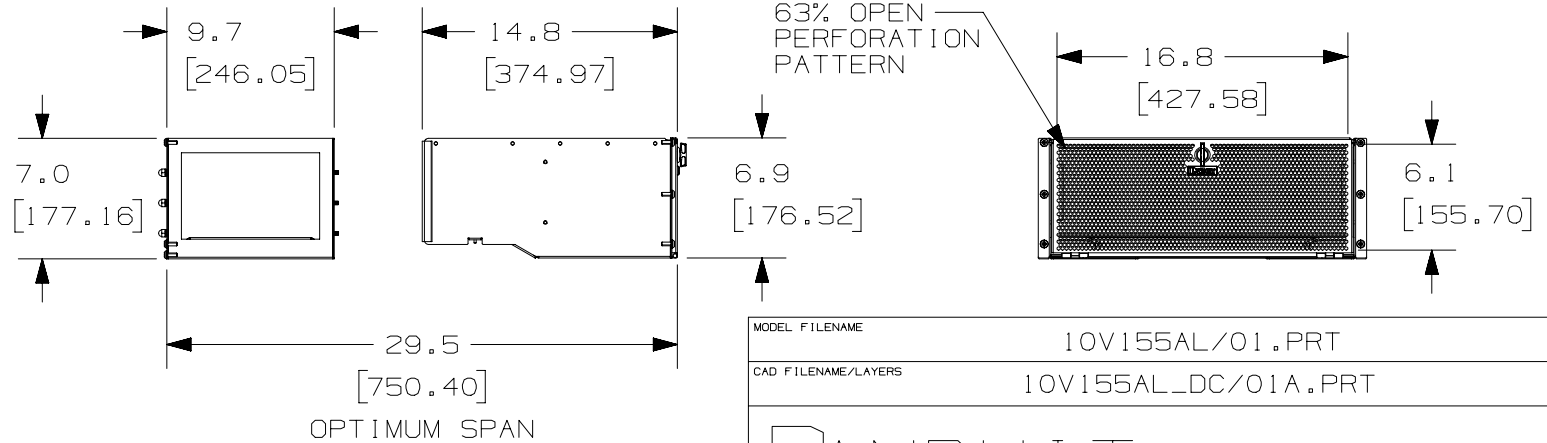
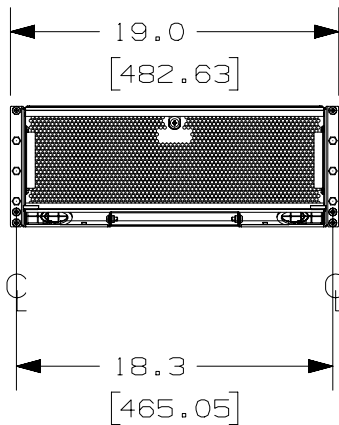
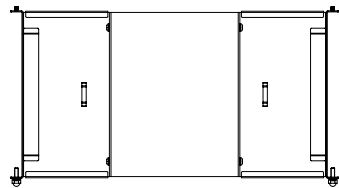
4 RACK UNIT  
INLET DUCT  
ASSEMBLY  
WITH INTEGRATED  
PERFORATION

PANDUIT PART NO.	WEIGHT
CDE3	25.1 LBS/EACH 11.4 Kg/EACH

**NOTES:**

- VISIT OUR ONLINE CATALOG AT [WWW.PANDUIT.COM](http://WWW.PANDUIT.COM) FOR A LIST OF CURRENT PARTS APPLICABLE FOR USE WITH THIS PRODUCT.
- DIMENSIONS IN PARENTHESES ARE METRIC (mm).
- PARTS SUPPLIED:
  - DUCT ASSEMBLY
  - SUPPORT BRACKET
  - HARDWARE KIT
  - INSTRUCTION SHEET

RANGE  
24.0" TO 30.5"

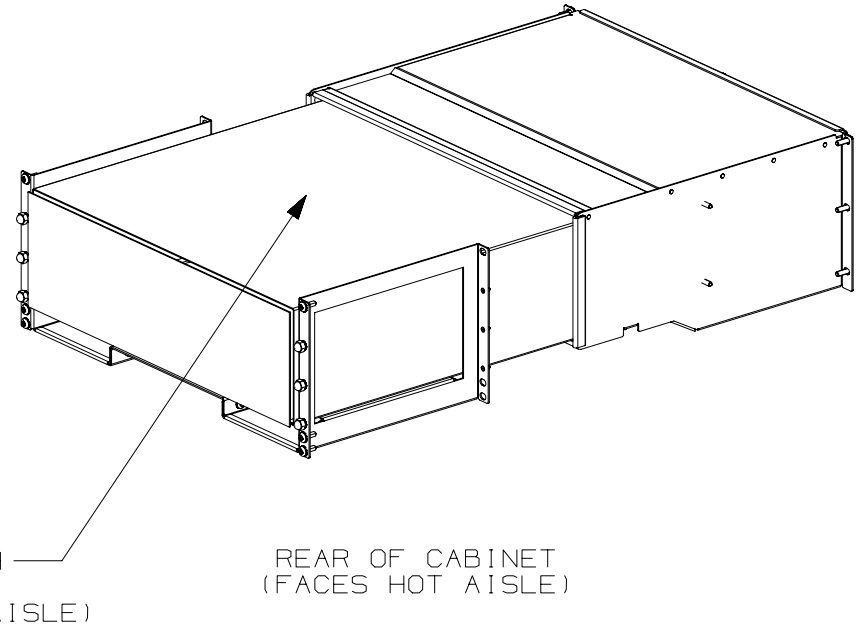
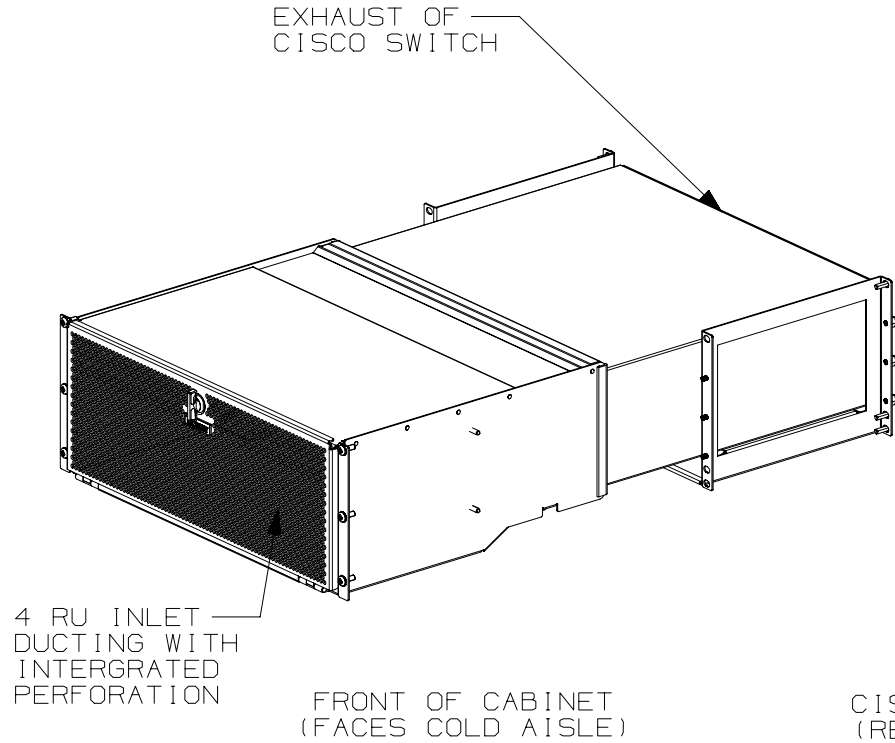


MODEL FILENAME	10V155AL/01.PRT
CAD FILENAME/LAYERS	10V155AL_DC/01A.PRT
<b>PANDUIT</b> CORP. TINLEY PARK, ILLINOIS	
INLET DUCT FOR CISCO 3945 (CDE3) CUSTOMER DRAWING	

REV	DATE	BY	CHK	DESCRIPTION	ECN	R	CUST	SUP	OTH
O1A	04/26/16	MES		PANDUIT P/N WAS UPDATED	VO9000QE				
OOA	06/05/12	PJST		RELEASED TO PRODUCTION	10V155AL				

UNLESS OTHERWISE SPECIFIED, DIMENSIONAL TOLERANCES ARE:		UNLESS OTHERWISE SPECIFIED,
METRIC - MILLIMETER	ANGLE	ALL DIMENSIONS ARE GIVEN
X.     +/- 0.8		IN INCHES, THIRD ANGLE PROJECTION.
X.X    +/- 0.46	+/- 1°	
X.XX   +/- 0.18		
DRAWN BY PJST	MAT'L/COLOR:	SCALE ×
DATE 06/01/12	N/A	DRAWING NO. 10V155AL
CHK'D		DWG A SIZE

THIS COPY IS PROVIDED ON A RESTRICTED BASIS AND IS NOT TO BE USED IN ANY WAY DETRIMENTAL TO THE INTERESTS OF PANDUIT CORP.



MODEL FILENAME	10V155AL/01.PRT
CAD FILENAME/LAYERS	10V155AL_DC/01A.PRT
<h1>PANDUIT</h1> CORP. TINLEY PARK, ILLINOIS	
INLET DUCT FOR CISCO 3945 (CDE3) CUSTOMER DRAWING	

REV	DATE	BY	CHK	DESCRIPTION	ECN	R	CUST	SUP	OTH
O1A	04/26/16	MES		PANDUIT P/N WAS UPDATED	V09000QE				
OOA	06/05/12	PJST		RELEASED TO PRODUCTION	10V155AL				

UNLESS OTHERWISE SPECIFIED, DIMENSIONAL TOLERANCES ARE:		UNLESS OTHERWISE SPECIFIED, ALL DIMENSIONS ARE GIVEN IN INCHES, THIRD ANGLE PROJECTION.
METRIC - MILLIMETER	ANGLE	
X.     +/- 0.8	+/- 1°	
X.X    +/- 0.46		
X.XX   +/- 0.18		
DRAWN BY PJST	MAT'L/COLOR:	SCALE ×
DATE 06/01/12	N/A	DRAWING NO. 10V155AL
CHK'D		DWG A SIZE

## X-ON Electronics

Largest Supplier of Electrical and Electronic Components

*Click to view similar products for [Racks & Rack Cabinet Accessories](#) category:*

*Click to view products by [Panduit](#) manufacturer:*

Other Similar products are found below :

[M00-PLN](#) [F2424](#) [8351-832-A-24](#) [9104](#) [9105](#) [PLFF2000](#) [H-9163-B](#) [1427C3](#) [HTS10](#) [PC-79](#) [SC10-3A](#) [SC4-28](#) [CG3-340S/12](#) [CP-001BK](#)  
[M6123-4007-SS](#) [AX61400TB](#) [TS170](#) [LP40](#) [5261304-07](#) [CG3-160G](#) [7112C-PLN](#) [ALUM](#) [CM10](#) [8610-3124-S-26](#) [TS81](#) [7142](#) [GP134](#)  
[M6125-4007-A-24](#) [M6127-4007-SS](#) [PBCOVER](#) [512](#) [AEG-4000G](#) [AEG-3000G](#) [HD99](#) [SR2-66A2](#) [FP10B4HP-1](#) [FP52-2](#) [1406-1006-01](#)  
[29478](#) [TS2535](#) [TS169-6](#) [CAC2](#) [HA19-3U](#) [BR-19-10-1](#) [TS180](#) [CG3-ESD](#) [SC11-1](#) [CFS-1.00/2.20](#) [AX6145WM](#) [HEC0800PB](#) [ZC633R](#)