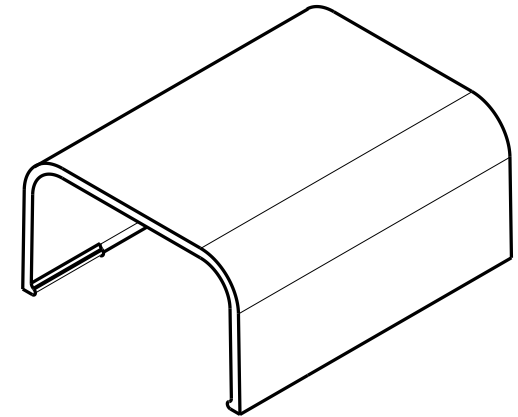


PANDUIT P/N	WEIGHT
CF10	1.30 LB/ 100PCS. (588g/ 100PCS.)



NOTES:

1. SEE CURRENT CATALOG FOR ADDITIONAL PART SUFFIXES TO INDICATE COLOR AND OR PACKAGE QUANTITY.
2. DIMENSIONS IN PARENTHESIS ARE IN METRIC.



REV	DATE	BY	CHK	DESCRIPTION	ECN	R	CUST	SUP	CAD FILENAME/LAYERS
--	.....	--	--	RELEASED TO PRODUCTION	.....	--	--		D34116BD_DC_CF10_02D.PRT
7	06-09-08	BK	RMH	G. REVISED TO CURRENT CAD STANDARDS DRAWING NUMBER WAS SS-1777B	34116-13	RTF	RTF		<p>PANDUIT CORP. TINLEY PARK, ILLINOIS</p> <p>COUPLER FITTING (CF10)</p> <p>CUSTOMER DRAWING</p> <p>UNLESS OTHERWISE SPECIFIED, DIMENSIONAL TOLERANCES ARE:                      (.X) ± (.XXX) ±                      (.XX) ± .031.81 ANGLES ±</p> <p>UNLESS OTHERWISE SPECIFIED, ALL DIMENSIONS ARE GIVEN IN INCHES, THIRD ANGLE PROJECTION.</p> <p>SCALE FULL</p> <p>DRAWING NO. 34116-13</p> <p>DWG SIZE A</p>
6	7-2-02	JHNU	HIW	F. REVISED MATERIAL IN DRAWING TITLE BLOCK.	1777B	HIW	HIW		
5	9-6-00	JHNU	HIW	E. REVISED AND REDRAWN.	1777B	HIW	HIW		
4	10-3-91	DW	CF	D. REV'D NOTE AND REMOVED COLOR FROM DWG.	1777B	4	WJB/CF		
3	2-28-91	DW	CF	C. REV'D COLORS: OMIT BLACK, BEIGE, LIGHT IVORY, AND LIGHT GREY. ADDED INT. WHITE AND INT. GREY	1777B	3	WJB		
2	12-2-87	LDB	WJB	B. ADDED P/N CF10E1 AND CF10L1.	1777B	2	WJB		
1	10-1-84	CEK	HMP	A. REVISED MAT'L.	1777B	1	AJC		
R	11-11-82	SS	HMP	DRAWING RELEASED	1777B	R	JKR		
									DRAWN BY SARGIS DATE 11-5-82 CHK'D JVL MAT'L: ABS F G

## X-ON Electronics

Largest Supplier of Electrical and Electronic Components

*Click to view similar products for [Wire Ducting & Raceways](#) category:*

*Click to view products by [Panduit](#) manufacturer:*

Other Similar products are found below :

[800A-LB](#) [801I-LSP](#) [802A-ECSP](#) [802I-ICSP](#) [923223-000](#) [PRAF6WH-X](#) [A0405538](#) [1301150342](#) [1301160034](#) [1301170070](#) [1301180011](#)  
[1301230083](#) [1301230153](#) [1301240273](#) [1301250006](#) [1302261238](#) [1302261321](#) [1302262552](#) [1302263103](#) [1302263178](#) [1302263259](#)  
[1302263816](#) [1302263860](#) [1302264375](#) [1302264390](#) [1301150343](#) [1301160030](#) [1301170050](#) [1301170051](#) [1301170061](#) [1301180013](#)  
[1301230086](#) [1301230130](#) [1301240054](#) [1302260055](#) [1302260376](#) [1302261343](#) [1302261344](#) [1302262674](#) [1302263095](#) [1302263166](#)  
[1302263209](#) [1302263513](#) [1302263851](#) [1302263870](#) [1302264137](#) [1302264218](#) [DD1/J](#) [AX101472](#) [AX102007](#)