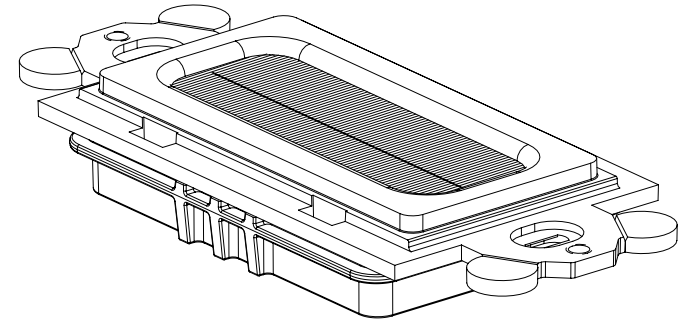
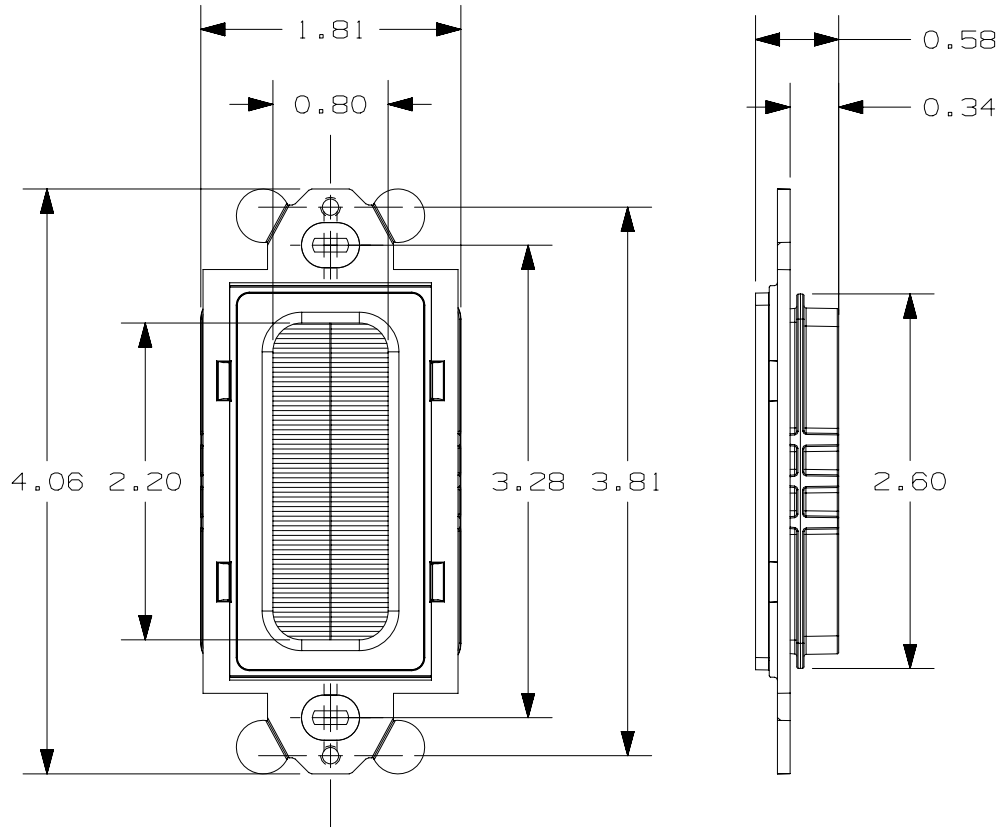
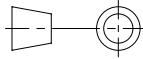


THIS COPY IS PROVIDED ON A RESTRICTED BASIS AND IS NOT TO BE USED IN ANY WAY DETRIMENTAL TO THE INTERESTS OF PANDUIT CORP.

NOTES:

1. VISIT OUR ON-LINE CATALOG AT [WWW.PANDUIT.COM](http://WWW.PANDUIT.COM) FOR A LIST OF CURRENT PARTS APPLICABLE FOR USE WITH THIS PRODUCT.
2. DIMENSIONS IN [ ] ARE METRIC.
3. WEIGHT: 20.37g
4. PART INCLUDES: (2) #6-32x1 PANHEAD SCREWS FOR ATTACHMENT TO GFCI FACEPLATE. FACEPLATE NOT INCLUDED



PART NUMBER		CFGB**		
TITLE		BRUSH INSERT FOR GFCI FACPLATE		
		CUSTOMER DRAWING		
ITEM REVISION NAME		00141MAA/00		
DATASET FILE NAME		00141MAA_DC02/00A		
		THIRD ANGLE PROJECTION		
MATERIAL		FRAME : ABS		
DRAWING NUMBER		00141MAA-02		
REV	DATE	BY	CHK	APR
00	01/22/18	MDJR	ROJC	AMY
INITIAL RELEASE				
00141MAA-02				
DESCRIPTION		ECN		
DRAWN BY		DATE	CHK	SCALE
MDJR		01/22/18	ROJC	NONE
SHEET 1 OF 1		A		

A-SIZE CUSTOMER

2

1

2

1

## X-ON Electronics

Largest Supplier of Electrical and Electronic Components

*Click to view similar products for [Wire Ducting & Raceways](#) category:*

*Click to view products by [Panduit](#) manufacturer:*

Other Similar products are found below :

[800A-LB](#) [801I-LSP](#) [802A-ECSP](#) [802I-ICSP](#) [923223-000](#) [PRAF6WH-X](#) [A0405538](#) [1301150342](#) [1301160034](#) [1301170070](#) [1301180011](#)  
[1301230083](#) [1301230153](#) [1301240273](#) [1301250006](#) [1302261238](#) [1302261321](#) [1302262552](#) [1302263103](#) [1302263178](#) [1302263259](#)  
[1302263816](#) [1302263860](#) [1302264375](#) [1302264390](#) [1301150343](#) [1301160030](#) [1301170050](#) [1301170051](#) [1301170061](#) [1301180013](#)  
[1301230086](#) [1301230130](#) [1301240054](#) [1302260055](#) [1302260376](#) [1302261343](#) [1302261344](#) [1302262674](#) [1302263095](#) [1302263166](#)  
[1302263209](#) [1302263513](#) [1302263851](#) [1302263870](#) [1302264137](#) [1302264218](#) [DD1/J](#) [AX102007](#) [AX102411](#)