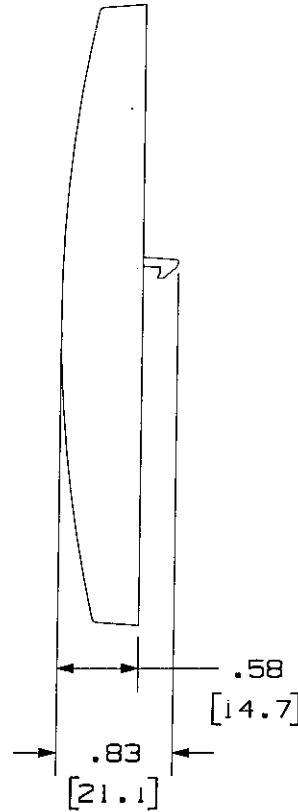
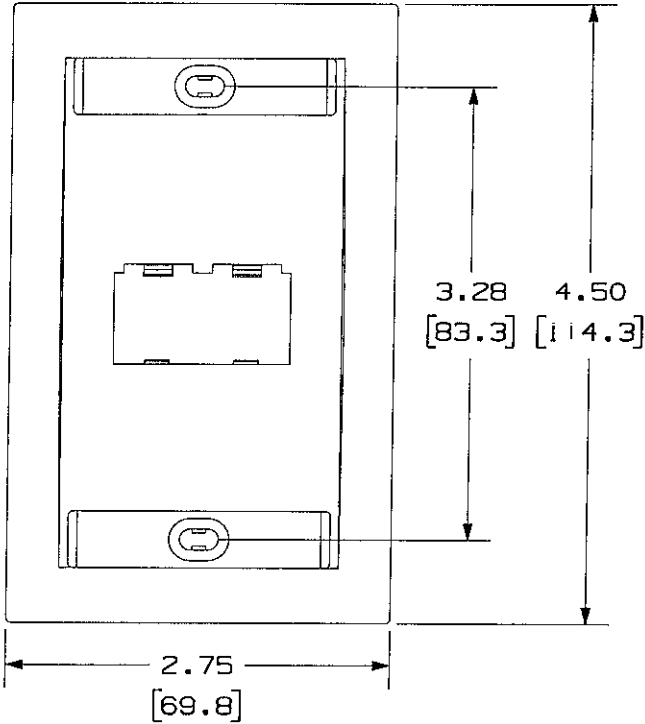


THIS COPY IS PROVIDED ON A RESTRICTED BASIS AND IS NOT TO BE USED IN ANY WAY DETRIMENTAL TO THE INTERESTS OF PANDUIT CORP.

PANDUIT P/N	WEIGHT
CFPE2**Y	.72 LB/10 PCS (326.6 g/10 PCS)



NOTES:

- SEE CURRENT CATALOG FOR ADDITIONAL PART NUMBER SUFFIXES TO INDICATE COLOR AND OR PACKAGE QUANTITY.
- SEE CATALOG FOR COMPLETE LIST OF PARTS APPLICABLE FOR USE WITH THIS PART.
- DIMENSIONS IN [ ] ARE IN METRIC.
- PART INCLUDES:
  - 1- FACEPLATE
  - 2- LABEL
  - 2- LABEL COVER
  - 2- MOUNTING SCREW

NETWORK SYSTEMS  
MAY 25 2006  
ENGINEERING DEPT

DRAWING FILENAME MO2479EK_DC117_00A.PRT		SIZE A
MINI-COM 2 POSITION EXECUTIVE SERIES FACEPLATE CUSTOMER DRAWING		
<p>PANDUIT<sup>TM</sup> CORP. TINLEY PARK, ILL 60477</p>	1:1 NUMBER	N/A
	PRODUCT SPEC	N/A
<p>THIRD ANGLE PROJECTION</p>	WORK INSTRUCTION	N/A
	SCALE	NONE
DATE 4-26-06	MATERIAL ABS	PART NO. CFPE2**Y
REV R	DATE 4-26-06	DRAWING NO. 02479-117

R	4-26-06	JsP		RELEASED TO PRODUCTION	02479-117				
REV	DATE	BY	CHK	DESCRIPTION	ECN	R	CUST	SUP	OTH

## X-ON Electronics

Largest Supplier of Electrical and Electronic Components

*Click to view similar products for [Wire Ducting & Raceways](#) category:*

*Click to view products by [Panduit](#) manufacturer:*

Other Similar products are found below :

[800A-LB](#) [801I-LSP](#) [802A-ECSP](#) [802I-ICSP](#) [923223-000](#) [PRAF6WH-X](#) [A0405538](#) [1301150342](#) [1301160034](#) [1301170070](#) [1301180011](#)  
[1301230083](#) [1301230153](#) [1301240273](#) [1301250006](#) [1302261238](#) [1302261321](#) [1302262552](#) [1302263103](#) [1302263178](#) [1302263259](#)  
[1302263816](#) [1302263860](#) [1302264375](#) [1302264390](#) [1301150343](#) [1301160030](#) [1301170050](#) [1301170051](#) [1301170061](#) [1301180013](#)  
[1301230086](#) [1301230130](#) [1301240054](#) [1302260055](#) [1302260376](#) [1302261343](#) [1302261344](#) [1302262674](#) [1302263095](#) [1302263166](#)  
[1302263209](#) [1302263513](#) [1302263851](#) [1302263870](#) [1302264137](#) [1302264218](#) [DD1/J](#) [AX101472](#) [AX102007](#)