

# Mini-Com® Classic Series Faceplates

## specifications

Classic series faceplates shall be available in 1, 2, 3, 4, and 6-port single gang for vertical applications and 2 and 4-port single gang for horizontal applications. Classic series faceplates shall accept all Mini-Com® Modules for UTP, STP, fiber-optic, and audio/video applications. Faceplates shall be available in a flush or sloped design, and available with or without labels. Sloped design shall increase wall depth to improve the bend radius control.



## technical information

<b>Mounting options:</b>	Screw holes with retention tabs, spaced for single gang openings; compatible with Panduit wall board adapter
<b>Packaging:</b>	Supplied with two 1" long, #6 – 32 slotted head screws; select styles include labels and label covers; faceplates without labels include matching mounting screws to match the faceplate; faceplates packaged one per bag, ten per box

## key features and benefits

<b>Modular</b>	Accepts all Mini-Com® Modules which snap in and out for easy moves, adds, and changes
<b>Identification</b>	Choice of adhesive labeling or dedicated label pocket for easy identification
<b>Various port densities</b>	Provides design flexibility
<b>Sloped design</b>	Allows proper bend radius control
<b>Icon slots</b>	Provide data and voice identification on select faceplates

## applications

Mini-Com® Classic Series Faceplates mount to any standard size single gang junction box and can also mount to a wallboard adapter or raceway mounting brackets. When using classic series faceplates with Panduit surface raceway, color matching is guaranteed. Classic series faceplates with label and label cover

offer a quick and easy way to identify the ports. Mounting screw colors match the faceplate for a clean, consistent look. Dedicated sloped faceplates provide additional room for bend radius control to help comply with standards. Select sloped faceplates include icon slots to help identify the connection.

### Vertical Sloped Faceplates

<b>2-port (with labels):</b>	CFPSL2IWY
<b>4-port (with labels):</b>	CFPSL4IWY

### Vertical Faceplates with Labels

<b>1-port (with labels):</b>	CFPL1IWY
<b>2-port (with labels):</b>	CFPL2IWY
<b>3-port (with labels):</b>	CFPL3IWY
<b>4-port (with labels):</b>	CFPL4IWY
<b>6-port (with labels):</b>	CFPL6IWY

### Vertical Faceplates without Labels

<b>1-port:</b>	CFP1IW
<b>2-port:</b>	CFP2IW
<b>4-port:</b>	CFP4IW

### Horizontal Faceplates

<b>2-port:</b>	CFPH2IW
<b>4-port:</b>	CFPH4IW
<b>4-port (sloped with labels):</b>	CFPHSL4IW

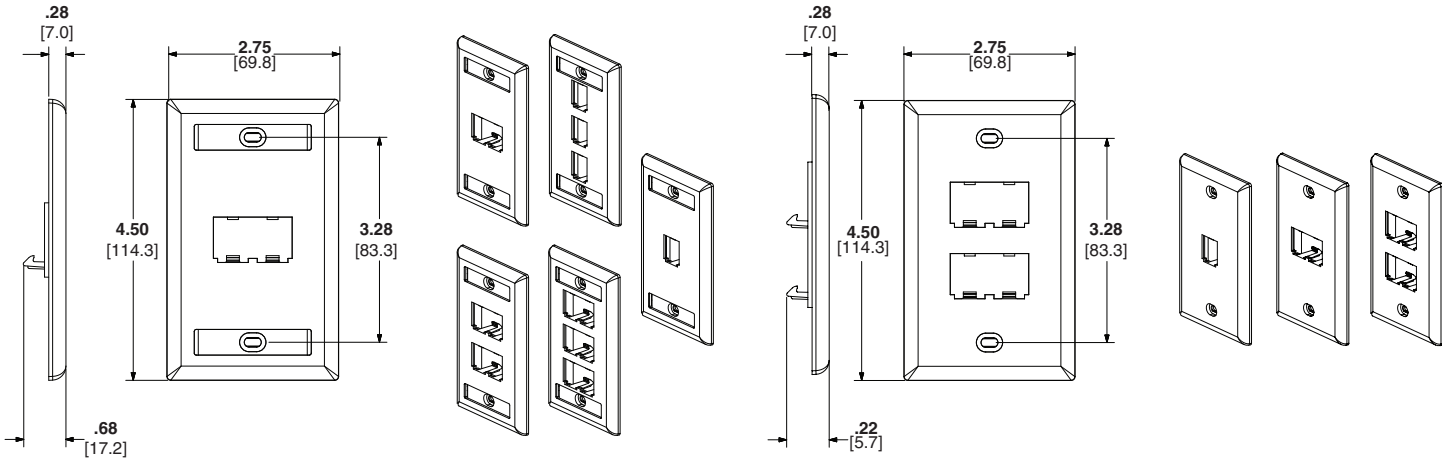
### Wall Board Adapters

<b>Single gang:</b>	MWBA1
---------------------	-------

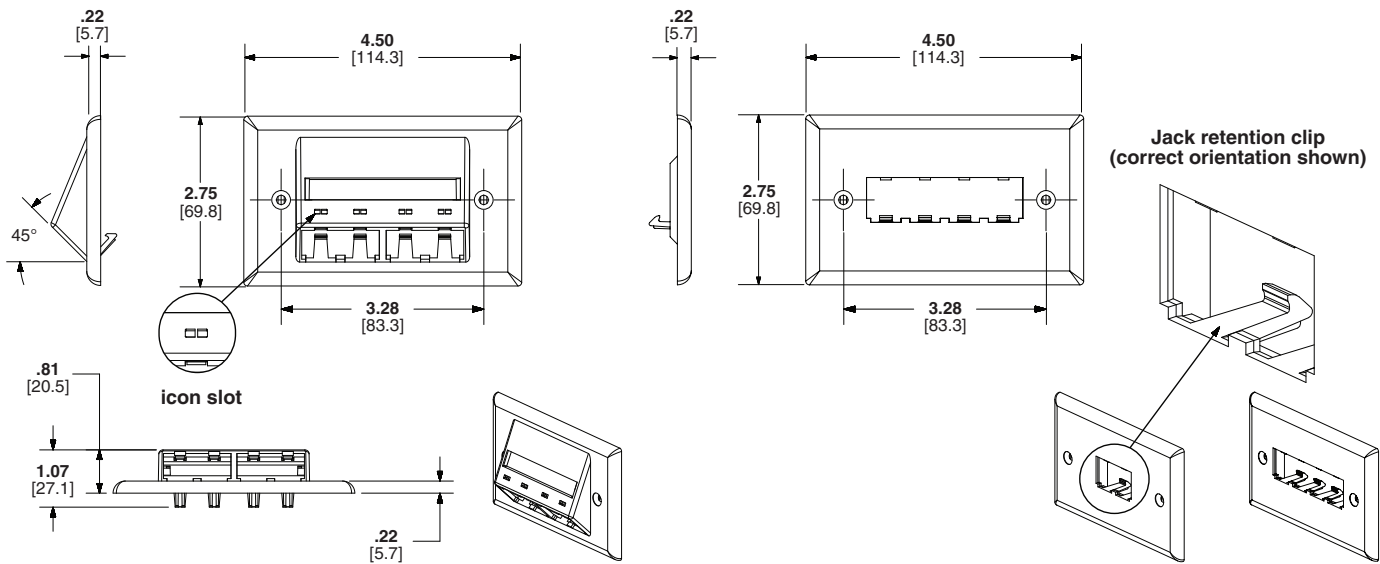
See table for color and labeling options

# Mini-Com® Classic Series Faceplates

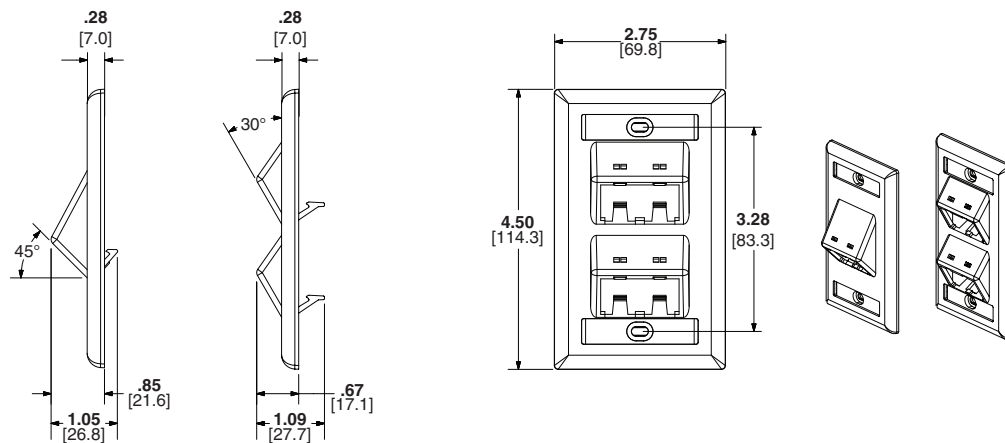
## vertical faceplates



## horizontal faceplates



## vertical sloped faceplates



Dimensions are in inches. [Dimensions in brackets are metric].

# Mini-Com® Classic Series Faceplates

## color and labeling options

Part Number	IW	WH	EI	IG	BL	Opening	Replacement Label	Laser/Ink jet	Panther LS8E
CFP1**						Single Gang	N/A	C061X030FJJ	C061X030FJC
CFP2**								C125X030FJJ	C125X030FJC
CFP4**									
CFPH2**									
CFPH4**								C252X030FJJ	C252X030FJC
CFPHSL4**							C4PPLK	C261X035Y1J	C261X035Y1C
CFPL1**Y							EFPK-XY (includes screws)	C195X040Y1J	C195X040Y1C
CFPL2**Y									
CFPL3**Y									
CFPL4**Y									
CFPL6**Y									
CFPSL2**Y									
CFPSL4**Y									

Gray shaded area depicts colors are not available.

### WORLDWIDE SUBSIDIARIES AND SALES OFFICES

PANDUIT US/CANADA  
Phone: 800.777.3300

PANDUIT EUROPE LTD.  
London, UK  
Phone: 44.20.8601.7200

PANDUIT SINGAPORE PTE. LTD.  
Republic of Singapore  
Phone: 65.6305.7575

PANDUIT JAPAN  
Tokyo, Japan  
Phone: 81.3.6863.6000

PANDUIT LATIN AMERICA  
Guadalajara, Mexico  
Phone: 52.33.3777.6000

PANDUIT AUSTRALIA PTY. LTD.  
Victoria, Australia  
Phone: 61.3.9794.9020

For a copy of Panduit product warranties, log on to [www.panduit.com/warranty](http://www.panduit.com/warranty)



For more information  
Visit us at [www.panduit.com](http://www.panduit.com)  
Contact Customer Service by email: [cs@panduit.com](mailto:cs@panduit.com)  
or by phone: 800.777.3300

© 2020 Panduit Corp.  
ALL RIGHTS RESERVED.  
Printed in the U.S.A.  
OTSP20--WW-ENG  
2/2020

## X-ON Electronics

Largest Supplier of Electrical and Electronic Components

*Click to view similar products for [Wire Ducting & Raceways](#) category:*

*Click to view products by [Panduit](#) manufacturer:*

Other Similar products are found below :

[FG5EI25-A](#) [PED12](#) [PED8](#) [PEVEP](#) [FXOE3-10M3](#) [FZD3-3M2](#) [FZLE10-10M2](#) [FZOE10-10M1](#) [FZOLE10-10M2](#) [FZPE3-10M2](#) [923223-000](#)  
[PRAF6WH-X](#) [A0405538](#) [1301150342](#) [1301230083](#) [1301150343](#) [1301230086](#) [1301240054](#) [AX101472](#) [AX102652](#) [AX102653](#) [AX102737](#)  
[S62DS](#) [S65DS](#) [S75DSH](#) [A0405536](#) [A0405537](#) [A0649869](#) [FXOD3-3M1](#) [FXOE10-10M2](#) [FZLD3-3M2](#) [FZOE3-10M1](#) [FZOE3-10M2](#)  
[FZOLE3-10M2](#) [FZOPE10-10M1](#) [FZPD3-3M2](#) [PZRFE4](#) [PZWIFIEN](#) [PZWIFIENA](#) [CNPSNH](#) [CNSPC](#) [5400ES](#) [WDLT-1216-72](#) [655287-000](#)  
[S75DS](#) [1301180028](#) [801A-LSP](#) [TGECAW](#) [206461-000](#) [853425-000](#)