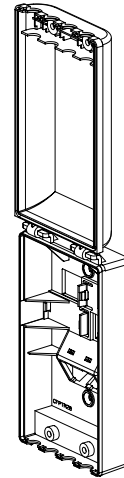
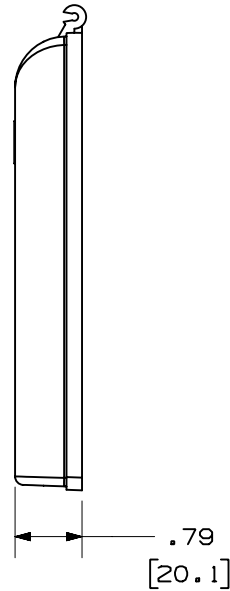
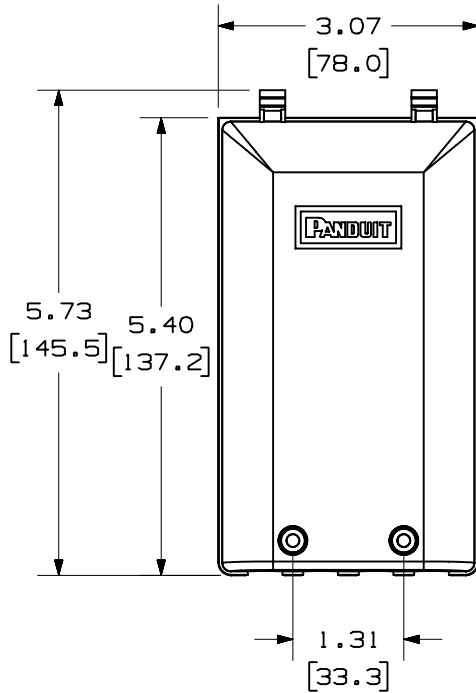


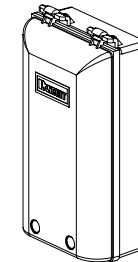
THIS COPY IS PROVIDED ON A RESTRICTED BASIS AND IS NOT TO BE USED IN ANY WAY DETRIMENTAL TO THE INTERESTS OF PANDUIT CORP.

PANDUIT P/N	WEIGHT
CFPTR2B**	2.59 LB/10 PCS (1174.1 g/10 PCS)



NOTES:

- SEE CURRENT CATALOG FOR ADDITIONAL PART NUMBER SUFFIXES TO INDICATE COLOR AND OR PACKAGE QUANTITY.
- SEE CATALOG FOR A COMPLETE LIST OF PARTS APPLICABLE FOR USE WITH THIS PART.
- DIMENSIONS IN PARENTHESES ARE IN METRIC.
- PARTS INCLUDED:
 2- MOUNTING SCREW #6-32 X 1"
 (SECURES FACEPLATE TO WALL)
 2- TAMPER RESISTANT SCREW
 HEX BUTTON HEAD
 #6-32 X 1.25"
 (SECURES COVER TO BASE)
 1- BASE
 1- COVER
 2- COVER SCREW #6-32 X 1.25"
 COMBINATION PAN HEAD
 (SECURES COVER TO BASE)



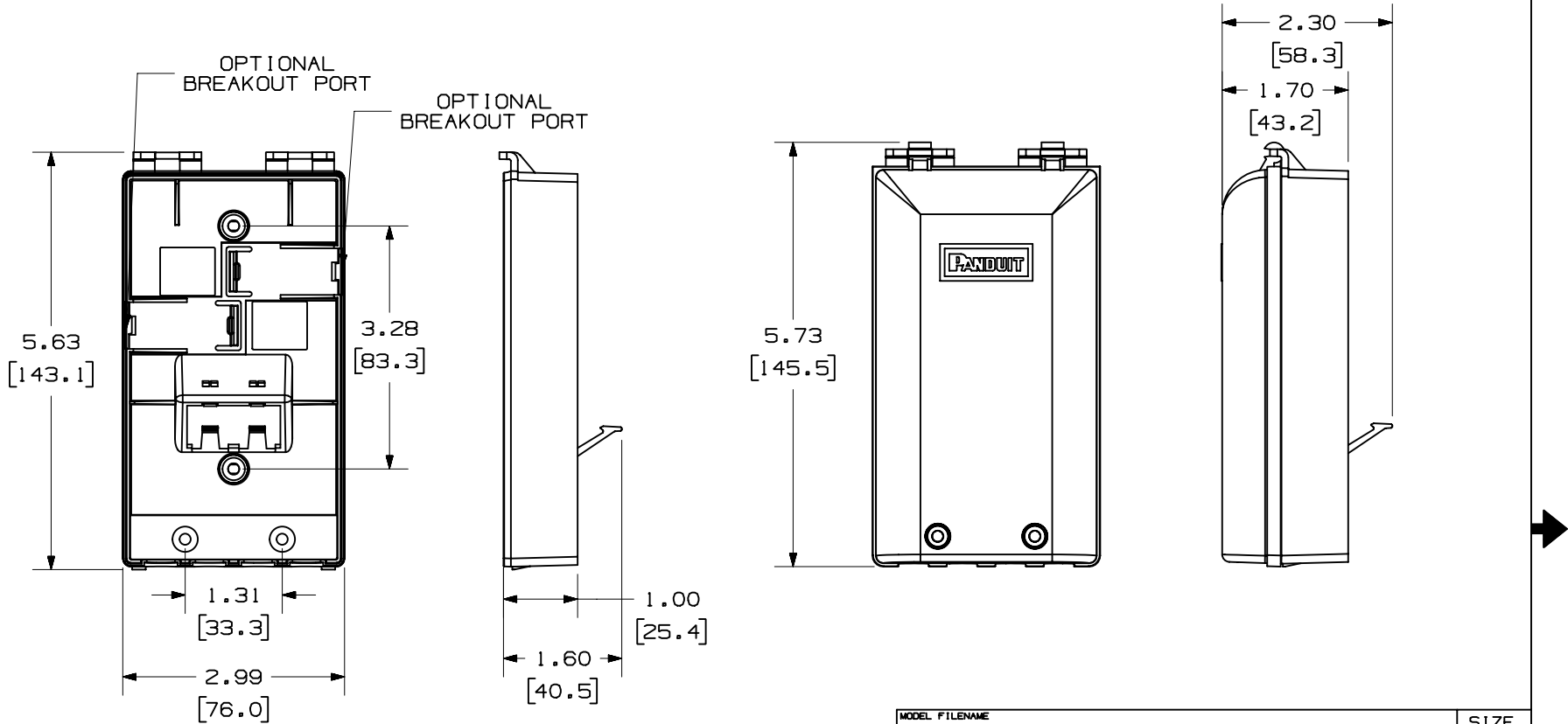
MODEL FILENAME	M01445AA_CFPTR2B_ASMBLY_02.PRT	SIZE A
DRAWING FILENAME	M01445AA_DC_02A.PRT	

MINI-COM™ TAMPER RESISTANT FACEPLATE WITH 2 BREAKOUT PORTS CUSTOMER DRAWING

<p>PANDUIT™ CORP. TINLEY PARK, ILL 60477</p>	I.I. NUMBER	N/A			
	PRODUCT SPEC	N/A			
	WORK INSTRUCTION	N/A			
	SCALE	FULL			
<p>THIRD ANGLE PROJECTION</p>	ALL DIMENSIONS ARE GIVEN IN INCHES, UNLESS OTHERWISE SPECIFIED. DIMENSIONAL TOLERANCES ARE: (.X) ±.03 (.XXX) ±.005 (.XX) ±.01 ANGLES ± 1°				
DRAWN BY	JsP	REVIEW DRAWING NUMBERS			
DATE	12-15-04	MATERIAL: PC			
REV	DATE	BY	CHK'D	PART NO.	CFPTR2B**
				DRAWING NO.	01445-02
					SHEET 1 OF 2


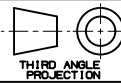
REV	DATE	BY	CHK	DESCRIPTION	ECN	R	CUST	SUP	OTH
R	12-15-04	JsP		RELEASED TO PRODUCTION	01445-02				

THIS COPY IS PROVIDED ON A RESTRICTED BASIS AND IS NOT TO BE USED IN ANY WAY DETRIMENTAL TO THE INTERESTS OF PANDUIT CORP.



MODEL FILENAME	M01445AA_CFTR2B_ASMBLY_02.PRT	SIZE A
DRAWING FILENAME	M01445AA_DC_02A.PRT	

MINI-COM™ TAMPER RESISTANT FACEPLATE WITH 2 BREAKOUT PORTS CUSTOMER DRAWING

 PANDUIT ™ CORP. TINLEY PARK, ILL 60477	I.I. NUMBER	N/A
	PRODUCT SPEC	N/A
	WORK INSTRUCTION	N/A
	SCALE	NONE
 THIRD ANGLE PROJECTION ALL DIMENSIONS ARE GIVEN IN INCHES, UNLESS OTHERWISE SPECIFIED. DIMENSIONAL TOLERANCES ARE: (.X) ±.03 (.XXX) ±.005 (.XX) ±.01 ANGLES ± 1°	REVIEW DRAWING NUMBERS	PART NO. CFPTR2B**
DRAWN BY: JsP DATE: 12-15-04 CHECKED:	MATERIAL: PC	DRAWING NO. 01445-02 SHEET 2 OF 2

REV	DATE	BY	CHK	DESCRIPTION	ECN	R	CUST	SUP	OTH
R	12-15-04	JsP		SEE SHEET 1 OF 2.	01445-02				

X-ON Electronics

Largest Supplier of Electrical and Electronic Components

Click to view similar products for [Wire Ducting & Raceways](#) category:

Click to view products by [Panduit](#) manufacturer:

Other Similar products are found below :

[800A-LB](#) [801I-LSP](#) [802A-ECSP](#) [802I-ICSP](#) [923223-000](#) [PRAF6WH-X](#) [A0405538](#) [1301150342](#) [1301160034](#) [1301170070](#) [1301180011](#)
[1301230083](#) [1301230153](#) [1301240273](#) [1301250006](#) [1302261238](#) [1302261321](#) [1302262552](#) [1302263103](#) [1302263178](#) [1302263259](#)
[1302263816](#) [1302263860](#) [1302264375](#) [1302264390](#) [1301150343](#) [1301160030](#) [1301170050](#) [1301170051](#) [1301170061](#) [1301180013](#)
[1301230086](#) [1301230130](#) [1301240054](#) [1302260055](#) [1302260376](#) [1302261343](#) [1302261344](#) [1302262674](#) [1302263095](#) [1302263166](#)
[1302263209](#) [1302263513](#) [1302263851](#) [1302263870](#) [1302264137](#) [1302264218](#) [DD1/J](#) [AX101472](#) [AX102007](#)