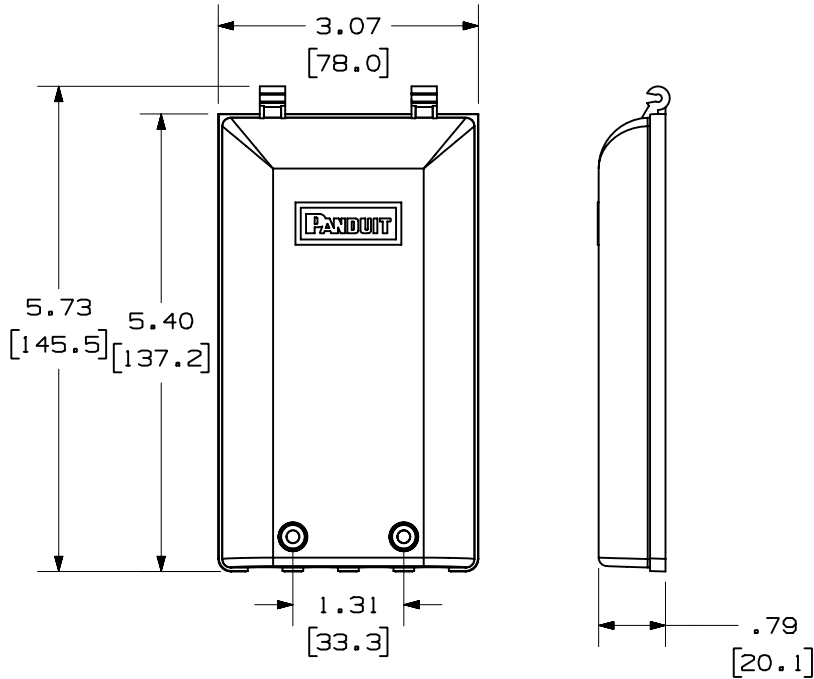


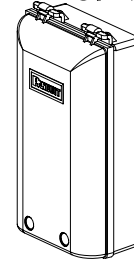
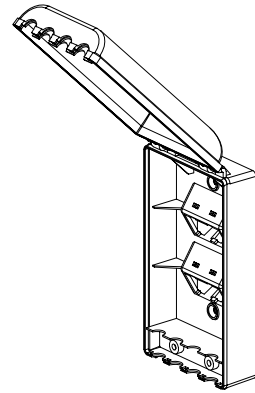
THIS COPY IS PROVIDED ON A RESTRICTED BASIS AND IS NOT TO BE USED IN ANY WAY DETRIMENTAL TO THE INTERESTS OF PANDUIT CORP.



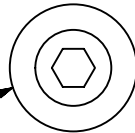
PANDUIT P/N	WEIGHT
CFPTR4**	2.59 LB/10 PCS (1174.1 g/10 PCS)

NOTES:

- SEE CURRENT CATALOG FOR ADDITIONAL PART NUMBER SUFFIXES TO INDICATE COLOR AND OR PACKAGE QUANTITY.
- SEE CATALOG FOR A COMPLETE LIST OF PARTS APPLICABLE FOR USE WITH THIS PART.
- DIMENSIONS IN PARENTHESES ARE IN METRIC.
- ALSO INCLUDED WITH BOX:
 - (2) MOUNTING SCREW #6-32 X 1" (SECURES FACEPLATE TO WALL)
 - (2) TAMPER RESISTANT SCREW HEX BUTTON HEAD #6-32 X 1.25" (SECURES COVER TO BASE)
 - (1) BASE
 - (1) COVER
 - (2) COVER SCREW #6-32 X 1.25" COMBINATION PAN HEAD (SECURES COVER TO BASE)



USE A 5/64" HEX KEY TOOL WITH THE TAMPER RESISTANT SCREW.



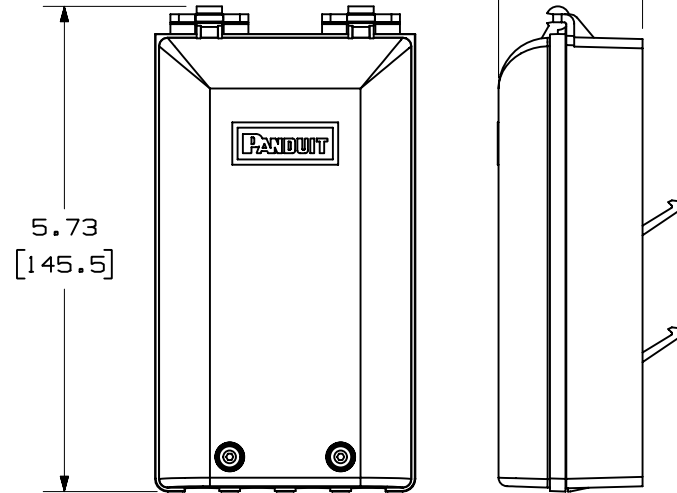
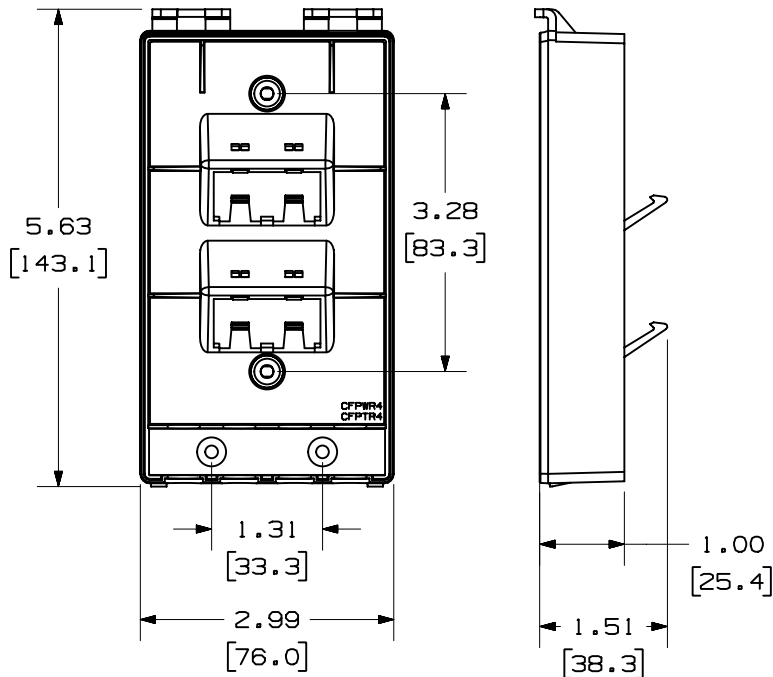
MODEL FILENAME	MO0897AA_WATERRESBOX_09.PRT	SIZE	A
DRAWING FILENAME	MO0897BK_DC_00B.PRT		

MINI-COM™ 4 POSITION TAMPER RESISTANT FACEPLATE CUSTOMER DRAWING

<p>PANDUIT™ TINLEY PARK, ILL 60477</p>	I.I. NUMBER	N/A
	PRODUCT SPEC	N/A
<p>THIRD ANGLE PROJECTION</p>	WORK INSTRUCTION	N/A
	SCALE	FULL
DRAWN BY	REVIEW DRAWING NUMBERS	PART NO.
DATE	MATERIAL: PC	CFPTR4**
CHK'D		DRAWING NO.
		00897-15
		SHEET 1 OF 2

REV	DATE	BY	CHK	DESCRIPTION	ECN	R	CUST	SUP	OTH
1	2-13-04	JsP		A. ADDED TWO COMBO HEAD SCREWS TO KIT.	00897-15				
R	12-3-01	JsP	MJD	RELEASED TO PRODUCTION	00897-15				

THIS COPY IS PROVIDED ON A RESTRICTED BASIS AND IS NOT TO BE USED IN ANY WAY DETRIMENTAL TO THE INTERESTS OF PANDUIT CORP.



MODEL FILENAME	MO0897AA_WATERRESBOX_00.PRT	SIZE A
DRAWING FILENAME	MO0897BK_DC_00B.PRT	

MINI-COM™ 4 POSITION TAMPER RESISTANT
FACEPLATE CUSTOMER DRAWING

<p>PANDUIT™ CORP. TINLEY PARK, ILL 60477</p>	I.I. NUMBER	N/A
	PRODUCT SPEC	N/A
	WORK INSTRUCTION	N/A
	SCALE	NONE
<p>THIRD ANGLE PROJECTION</p>	<p>ALL DIMENSIONS ARE GIVEN IN INCHES, UNLESS OTHERWISE SPECIFIED.</p> <p>DIMENSIONAL TOLERANCES ARE: (.X) ±.03 (.XXX) ±.005 (.XX) ±.01 ANGLES ± 1°</p>	
<p>DRAWN BY JSP</p> <p>DATE 12-3-01</p> <p>CHK'D MJD</p>	REVIEW DRAWING NUMBERS	PART NO. CFPTR4**
MATERIAL: PC		DRAWING NO. 00897-15 SHEET 2 OF 2

REV	DATE	BY	CHK	DESCRIPTION	ECN	R	CUST	SUP	OTH
1	2-13-04	JsP		SEE SHEET 1 OF 2 FOR REVISIONS.	00897-15				
R	12-3-01	JsP	MJD	SEE SHEET 1 OF 2.	00897-15				

X-ON Electronics

Largest Supplier of Electrical and Electronic Components

Click to view similar products for [Wire Ducting & Raceways](#) category:

Click to view products by [Panduit](#) manufacturer:

Other Similar products are found below :

[800A-LB](#) [801I-LSP](#) [802A-ECSP](#) [802I-ICSP](#) [923223-000](#) [PRAF6WH-X](#) [A0405538](#) [1301150342](#) [1301160034](#) [1301170070](#) [1301180011](#)
[1301230083](#) [1301230153](#) [1301240273](#) [1301250006](#) [1302261238](#) [1302261321](#) [1302262552](#) [1302263103](#) [1302263178](#) [1302263259](#)
[1302263816](#) [1302263860](#) [1302264375](#) [1302264390](#) [1301150343](#) [1301160030](#) [1301170050](#) [1301170051](#) [1301170061](#) [1301180013](#)
[1301230086](#) [1301230130](#) [1301240054](#) [1302260055](#) [1302260376](#) [1302261343](#) [1302261344](#) [1302262674](#) [1302263095](#) [1302263166](#)
[1302263209](#) [1302263513](#) [1302263851](#) [1302263870](#) [1302264137](#) [1302264218](#) [DD1/J](#) [AX101472](#) [AX102007](#)