

Mini-Com® Water-Resistant Faceplate

PANDUIT®

SPECIFICATION SHEET

specifications

Four-position water-resistant faceplate shall be made of high impact polycarbonate material and include unique gaskets that prevent water from entering and damaging the connections. The two-piece hinged design shall allow the cover and base to stay together, while allowing easy access to the modules without misplacing the cover. The faceplate shall mount to a single gang outlet opening. Ports shall be sloped, providing an angle to help maintain the bend radius of the cables. Icon slots shall be included above each port for additional identification options.



technical information

Mounting options:	Mounts to single gang opening, compatible with any standard in-wall box
Packaging:	Faceplate cover and base supplied with two mounting screws (#6-32 x 1"), cover and base gasket, back seal gasket, and two sets of screws to secure cover to base (#6-32 x 1.25" combo-head, and hexagon button head tamper-resistant screws)
Level of protection:	Meets requirements for an IP-56 enclosure
Material:	Impact-resistant polycarbonate

key features and benefits

Modular:	Accepts all Mini-Com® Modules; individual modules snap in and out for greater flexibility and easy moves, adds, and changes
Water-resistant:	Unique design provides a tight seal to protect connectivity from water damage
Sloped design:	Improves bend radius control; allows cover to close without compromising the cable's performance
Icon slots:	Located above each port, icon slots accept optional icons for easy identification
Hinged design:	Keeps cover attached to base to avoid misplacing the cover while accessing the modules
Durable:	Impact-resistant material provides extra protection, allowing it to endure more than an average faceplate

applications

The water-resistant faceplate is designed to protect modules that can potentially be exposed to water. It is ideal for use in wash down areas, commercial kitchens such as hotels, restaurants and hospitals, the automotive industry, laboratories, greenhouses, and others.

The design provides a tight seal that will protect voice, data, and video connections from possible water damage. The gasket located in the back seals the area between the wall and the faceplate. When closed, the base and cover gasket seals the section where patch cords enter the faceplate, keeping connections dry to avoid unnecessary replacements.

www.panduit.com

Mini-Com® Water-Resistant Faceplate

4-port: CFPWR4**

Icons:

Phone: CIP^C

Data: CID^C

Label options for Water-Resistant Faceplate:

Laser/ink jet: C125X030FJJ

TDP43ME: C125X030YPT

Panther™ LS8E: C125X030FJC

Cougar™ LS9: T031X000FJC-BK

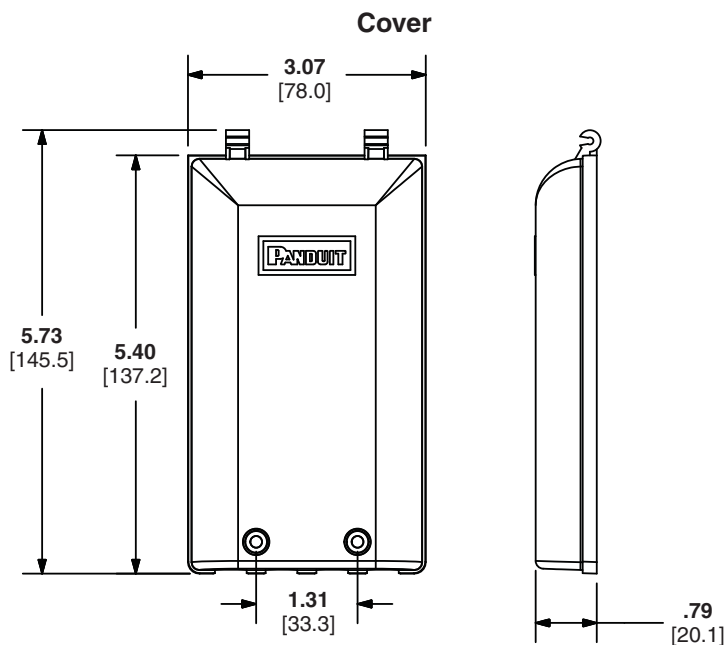
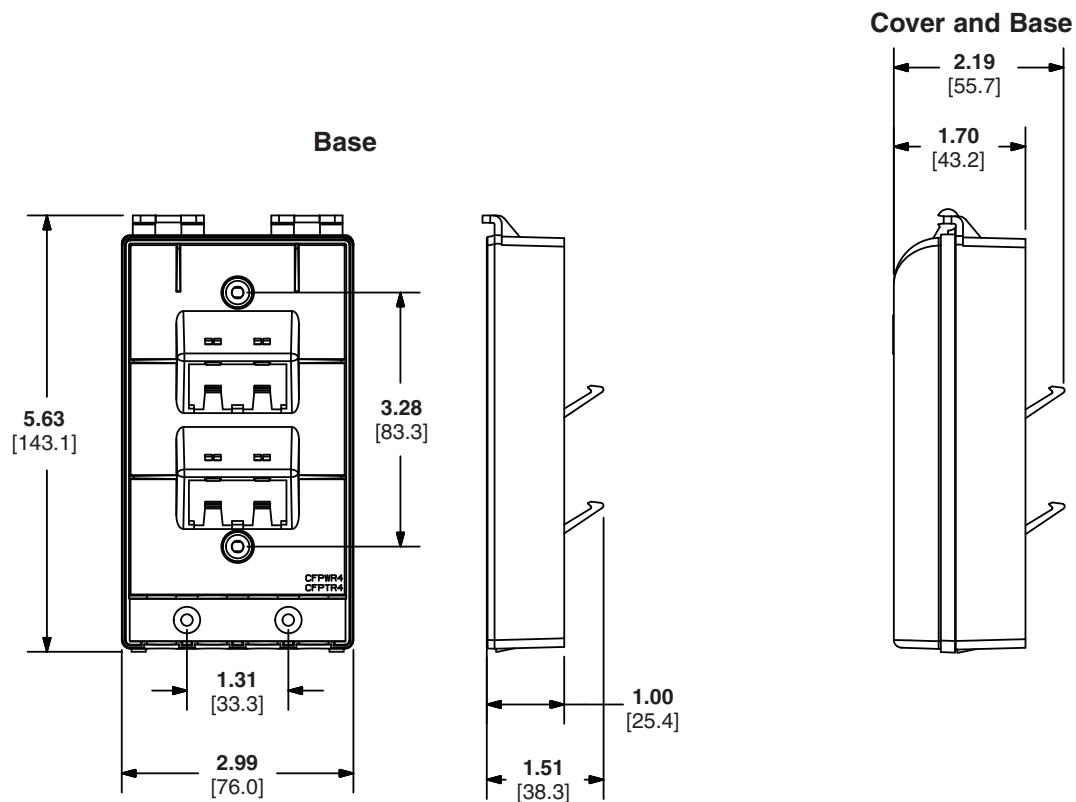
Mini-Com® Modules:

Visit www.panduit.com for a complete selection of connectivity for use with the water-resistant faceplate.

**To designate a color, replace ** with color designation: CL (Clear), CIG (Clear cover/gray base), IG (International Gray), BL (Black), EI (Electric Ivory), WH (White), IW (Off White).

^To designate a color, replace ^ with color designation: AW (Arctic White), IG (International Gray), BL (Black), EI (Electric Ivory), WH (White), IW (Off White), BU (Blue), GR (Green), OR (Orange), RD (Red), VL (Violet), YL (Yellow).

Mini-Com® Water-Resistant Faceplate



Dimensions are in inches. [Dimensions in brackets are metric].

WORLDWIDE SUBSIDIARIES AND SALES OFFICES

PANDUIT CANADA
Markham, Ontario
cs-cdn@panduit.com
Phone: 800.777.3300

PANDUIT EUROPE LTD.
London, UK
cs-emea@panduit.com
Phone: 44.20.8601.7200

PANDUIT SINGAPORE PTE. LTD.
Republic of Singapore
cs-ap@panduit.com
Phone: 65.6305.7575

PANDUIT JAPAN
Tokyo, Japan
cs-japan@panduit.com
Phone: 81.3.6863.6000

PANDUIT LATIN AMERICA
Guadalajara, Mexico
cs-la@panduit.com
Phone: 52.33.3777.6000

PANDUIT AUSTRALIA PTY. LTD.
Victoria, Australia
cs-aus@panduit.com
Phone: 61.3.9794.9020

For a copy of Panduit product warranties, log on to www.panduit.com/warranty

For more information

Visit us at www.panduit.com

Contact Customer Service by email: cs@panduit.com
or by phone: 800.777.3300 and reference OTSP22

PANDUIT®

©2011 Panduit Corp.
ALL RIGHTS RESERVED.

WW-OTSP22

6/2011

X-ON Electronics

Largest Supplier of Electrical and Electronic Components

Click to view similar products for [Wire Ducting & Raceways](#) category:

Click to view products by [Panduit](#) manufacturer:

Other Similar products are found below :

[800A-LB](#) [801I-LSP](#) [802A-ECSP](#) [802I-ICSP](#) [923223-000](#) [PRAF6WH-X](#) [A0405538](#) [1301150342](#) [1301160034](#) [1301170070](#) [1301180011](#)
[1301230083](#) [1301230153](#) [1301240273](#) [1301250006](#) [1302261238](#) [1302261321](#) [1302262552](#) [1302263103](#) [1302263178](#) [1302263259](#)
[1302263816](#) [1302263860](#) [1302264375](#) [1302264390](#) [1301150343](#) [1301160030](#) [1301170050](#) [1301170051](#) [1301170061](#) [1301180013](#)
[1301230086](#) [1301230130](#) [1301240054](#) [1302260055](#) [1302260376](#) [1302261343](#) [1302261344](#) [1302262674](#) [1302263095](#) [1302263166](#)
[1302263209](#) [1302263513](#) [1302263851](#) [1302263870](#) [1302264137](#) [1302264218](#) [DD1/J](#) [AX102007](#) [AX102411](#)