

## specifications

Active enclosure shall be rated IP66 and shall accommodate a micronode or consolidation point in an Industrial Ethernet architecture/topology. It shall be configured with a DIN rail for the attachment of an Industrial Ethernet hardened switch. All components mounted within the enclosure shall be secured to a vibration mitigation back plate for increased integrity in a harsh environment. Included shall be a power supply/converter and the necessary equipment for grounding, labeling, and cable management. The enclosure shall be equipped with four mounting brackets and two latches that shall accommodate lock-out/tag-out physical security products. Optional equipment shall allow for fiber uplinks, copper patch cords, and bulkhead jack fittings.



## technical information

<b>Standards:</b>	IEC 60529
<b>Dimensions:</b>	18.5"H x 18.5"W x 8.29"D (470 x 470 x 210mm)
<b>Color and Material:</b>	Gray, 14 gage galvanized steel
<b>Temperature:</b>	Enclosure protects the active equipment to 60°C operating temperatures; an optional fan kit is available should higher temperatures and convectional cooling be required
<b>Rating:</b>	IP66; when fan kit is used enclosure carries a rating of IP54
<b>Mounting:</b>	Equipped with welded flanges/brackets for convenient wall, beam mounting
<b>Packaging:</b>	Includes assembled base, door, welded flanges, mounted vibration mitigation back plate, mounted 35mm DIN rail, 115/230V to 24V DC power supply/converter, enclosure kit containing labels, Tak-Ty® Hook & Loop Cable Ties, grounding cable, and adhesive back mounts

## key features and benefits

<b>Flexibility</b>	Allows the designer of the Industrial Ethernet topology to locate hardened switches within the work zones or to remote areas of a plant or campus facility
<b>Integrity</b>	Vibration mitigation back plate further improves the integrity of the network by reducing vibration on the critical components, e.g., the switch
<b>Standard NEMA knockouts</b>	All copper or fiber bulkhead fittings are mounted into standard NEMA 30.5mm knockouts
<b>Switch of choice</b>	35mm DIN rail will accommodate any DIN rail mountable hardened switch; populated 14 port gland plate is available for 12 port, two-port uplink switches; unpopulated gland plate is available for fewer port-count switches

## applications

The IndustrialNet™ Ethernet Enclosure is designed to protect Industrial Ethernet hardened switches in harsh environments. The enclosure is ideally suited for work zone cells where the switch is integrated into the automation equipment. The enclosure allows for long runs (in the architecture) to be accommodated by fiber. It can also be used in the

integration of Building Automation Systems into the LAN. With IP ratings of IP66 or IP54, the enclosure provides reliability and high performance, as an integral component to the end-to-end solution for Industrial Networks.

### IndustrialNet™ Ethernet Enclosure

**Enclosure:** IAEIP66

### Enclosure Equipment

**Populated gland plate:** IAECGP

**Unpopulated gland plate:** IAEBGP

**Bulkhead assembly:** IAEPGBH

**Fan kit:** IAEFK54  
(Used in high temperature conditions above 60°)

### Fiber Kits

**Splice fiber uplink kit:** IAEFKSP

**SC coupler fiber uplink kit:** IAEFKSC

**Knockout tool:** IEKO30

### IndustrialNet™ TX5e™ Connectors

**Bulkhead jack (UTP):** CJI5E88T

**Bulkhead jack (ScTP):** CJSI5E88T

**Plug (UTP):** MPI588T

**Plug (ScTP):** MPSI588T

**Coupler:** IAEBHJC

### IndustrialNet™ TX5e™ Patch Cords

**3':** IUTPCH3

**5':** IUTPCH5

**7':** IUTPCH7

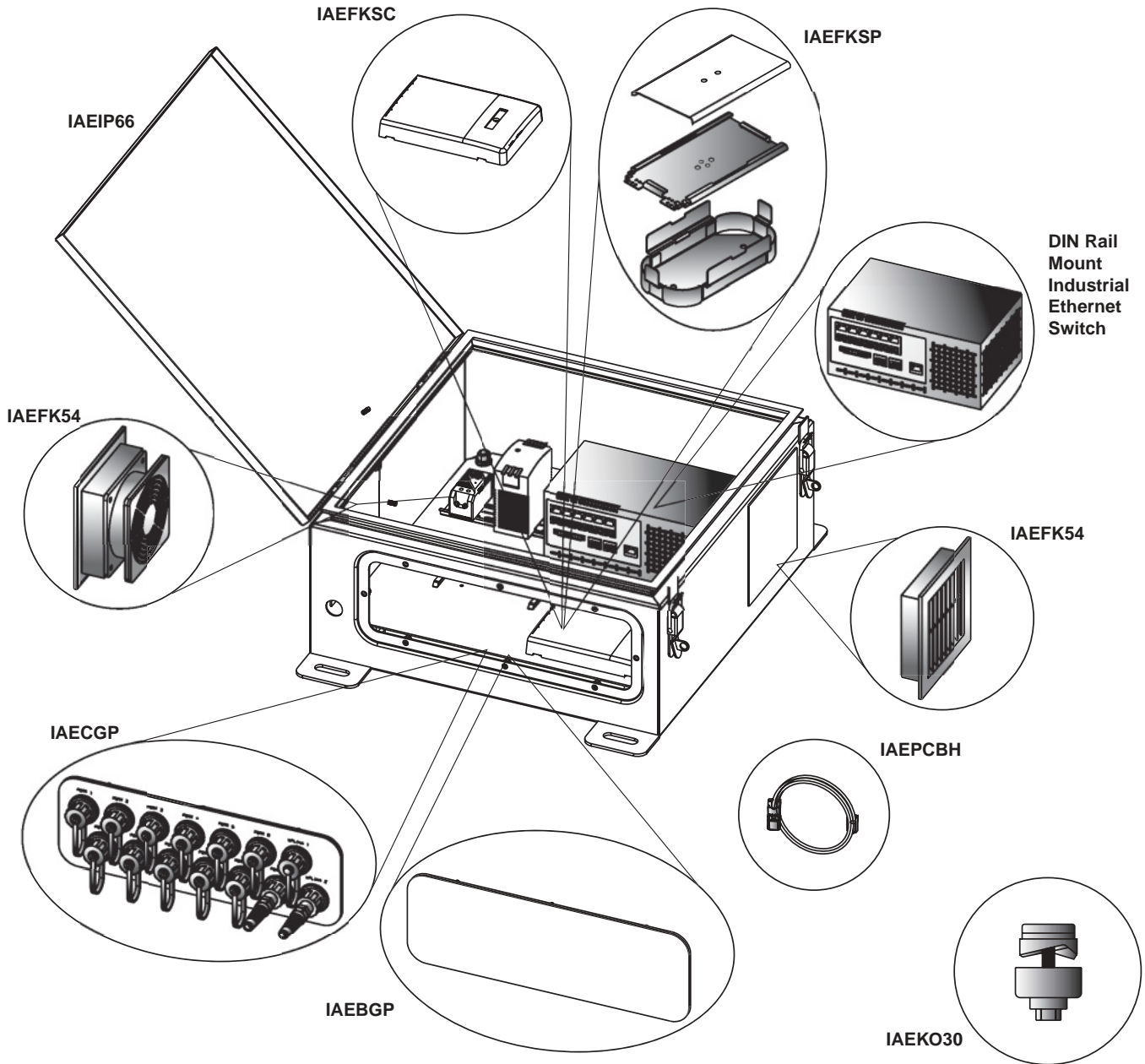
**10':** IUTPCH10

**15':** IUTPCH15

**20':** IUTPCH20

Consult factory for additional lengths and colors

**IndustrialNet™ Ethernet Enclosure**



**WORLDWIDE SUBSIDIARIES AND SALES OFFICES**

PANDUIT CANADA  
Markham, Ontario  
cs-cdn@panduit.com  
Phone: 800.777.3300

PANDUIT EUROPE LTD.  
London, UK  
cs-emea@panduit.com  
Phone: 44.20.8601.7200

PANDUIT SINGAPORE PTE. LTD.  
Republic of Singapore  
cs-ap@panduit.com  
Phone: 65.6305.7575

PANDUIT JAPAN  
Tokyo, Japan  
cs-japan@panduit.com  
Phone: 81.3.6863.6000

PANDUIT LATIN AMERICA  
Jalisco, Mexico  
cs-la@panduit.com  
Phone: 52.33.3777.6000

PANDUIT AUSTRALIA PTY. LTD.  
Victoria, Australia  
cs-aus@panduit.com  
Phone: 61.3.9794.9020

For a copy of Panduit product warranties, log on to [www.panduit.com/warranty](http://www.panduit.com/warranty)

**For more information**

**Visit us at [www.panduit.com](http://www.panduit.com)**

Contact Customer Service by email: [cs@panduit.com](mailto:cs@panduit.com)  
or by phone: 800-777-3300 and reference RKSP45



©2009 Panduit Corp.  
ALL RIGHTS RESERVED.

**WW-RKSP45**  
Replaces SA-FBSP08  
10/2009

## X-ON Electronics

Largest Supplier of Electrical and Electronic Components

*Click to view similar products for [Modular Connectors](#) / [Ethernet Connectors](#) category:*

*Click to view products by [Panduit](#) manufacturer:*

Other Similar products are found below :

[RJE231881317T](#) [MP1010RX-1000](#) [MP44RX-1000](#) [GAX-3-66](#) [GAX-8-62](#) [93606-0253](#) [GD-A-44](#) [GDCX-PA-66-50](#) [GDCX-PN-64](#) [GDCX-PN-66](#) [GDCX-PN-66-50](#) [GDLX-A-66](#) [GDLX-A-88](#) [GDLX-N-66](#) [GDLX-S-66](#) [GDLX-S-88K](#) [GDTX-S-88-50](#) [GDX-PA-1010](#) [GLX-N-1010M-BLK](#) [GLX-S-88M-BLK](#) [GMX-N-1010](#) [GMX-S-1010](#) [GMX-S-66](#) [GMX-SMT2-N-1010](#) [GMX-SMT2-N-64-50](#) [GMX-SMT2-N-88](#) [GMX-SMT2-S6-88](#) [GMX-SMT4-N-88](#) [GPX-2-64](#) [GRT1-BT1-5](#) [GSGX-N-2-88](#) [GSX-NS2-88-3.05](#) [GSX-NS2-88-3.05-50](#) [GSX-NS-88-3.05-30](#) [GSX-NS-88-3.05-50](#) [GSX-NS-88-3.68](#) [1-1775629-2](#) [GWLX-S-88-GR](#) [GWLX-S9-88-YG](#) [1300500326](#) [1300500227](#) [1300530003](#) [1300570002](#) [1324640-4](#) [RJ11FTVC2G](#) [RJ11FTVC2N](#) [RJFTVX2SA1G](#) [132764-001](#) [1400000](#) [1413235](#)