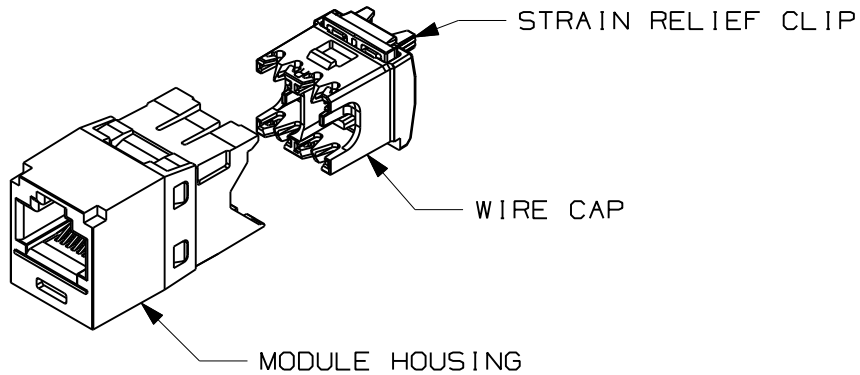


THIS COPY IS PROVIDED ON A RESTRICTED BASIS AND IS NOT TO BE USED IN ANY WAY DETRIMENTAL TO THE INTERESTS OF PANDUIT CORP.

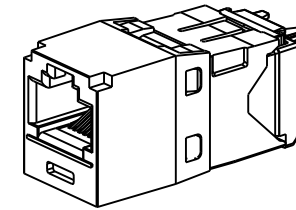
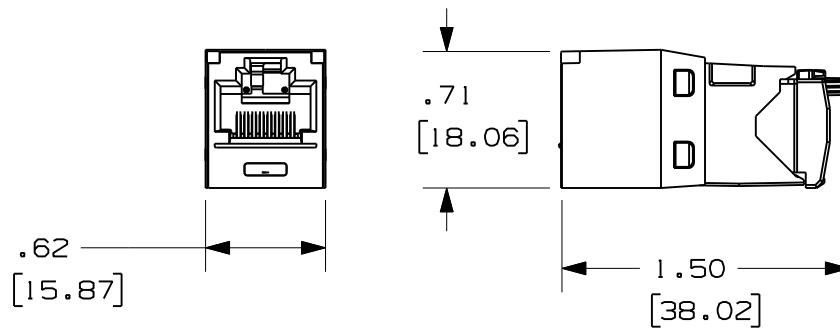
PANDUIT PART#	DESCRIPTION	WEIGHT*
CJ06X88TGBL	ALL 8 POSITION, 8 WIRE KEYED MODULES ARE T568B WIRING SCHEMES.	1.53 LB/100 PCS (695g/100 PCS)

*WEIGHT IS APPROXIMATE


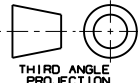


NOTES:

1. BLUE WIRE CAP DESIGNATES CATEGORY 6A PERFORMANCE.
2. MATERIAL:
MODULE HOUSING - ABS
WIRE CAP - PC
STRAIN RELIEF CLIP - PC
3. ALL PVIQ TX6 10GIG 8 POSITION, 8 WIRE, KEYED JACK MODULES ARE MADE TO EXCEPT ONLY PVIQ KEYED PLUG MODULES.
4. DIMENSIONS IN PARENTHESES ARE IN METRIC.



ACTUAL SIZE

MODEL FILENAME M03084EK/00		SIZE A
DRAWING FILENAME M03084EK_DC57/00A		
TITLE PVIQ TX6 10GIG MODULAR KEYED JACK MODULE CUSTOMER DRAWING		
 PANDUIT ™ CORP. TINLEY PARK, ILL 60477	I.I. NUMBER	
	PRODUCT SPEC	
 THIRD ANGLE PROJECTION ALL DIMENSIONS ARE GIVEN IN INCHES, UNLESS OTHERWISE SPECIFIED. DIMENSIONAL TOLERANCES ARE: (.X) ± (.XXX) ±.010(.3) (.XX) ±.03(.8) ANGLES ±	WORK INSTRUCTION	
	SCALE	FULL
DRAWN BY MDJr	REVIEW DRAWING NUMBERS	PART NO. CJ06X88TGBL
DATE 01-29-10		DRAWING NO. 03084-57
CHK'D		

REV	DATE	BY	CHK	DESCRIPTION	ECN	R	CUST	SUP	OTH
R	02-01-10	MDJr		RELEASED TO PRODUCTION	03084-57				

X-ON Electronics

Largest Supplier of Electrical and Electronic Components

Click to view similar products for [Modular Connectors / Ethernet Connectors](#) category:

Click to view products by [Panduit](#) manufacturer:

Other Similar products are found below :

[8949-H88/06BLKA/SN](#) [74441-0010/BKN](#) [MP1010RX-1000](#) [MP44RX-1000](#) [PHJ-4P4C-1-V-4](#) [PHP-6P6C-5](#) [GAX-3-66](#) [GAX-8-62](#) [GDCX-PA-66-50](#) [GDCX-PN-64](#) [GDCX-PN-66](#) [GDCX-PN-66-50](#) [GDLX-A-66](#) [GDLX-N-66](#) [GDLX-S-66](#) [GDLX-S-88K](#) [GDTX-S-88-50](#) [GDX-PA-1010](#) [GLX-N-1010M-BLK](#) [GLX-S-88M-BLK](#) [GMX-N-1010](#) [GMX-S-1010](#) [GMX-S-66](#) [GMX-SMT4-N-88](#) [GPX-2-64](#) [GSGX-N-2-88](#) [GSGX-N-4-88](#) [GSX-NS2-88-3.05](#) [GSX-NS2-88-3.05-50](#) [GSX-NS-88-3.05-50](#) [PT-108A-8C-UL](#) [PT-J951-8C](#) [PTS-J531-8CS-50UL](#) [1-1775629-2](#) [A-2014-0-4](#) [GWLX-S-88-GR](#) [GWLX-S9-88-YG](#) [DC-1021-8-WH-6](#) [1300530003](#) [1324640-4](#) [RJ11FTVC2G](#) [RJ11FTVC2N](#) [RJFTVX2SA1G](#) [132764-001](#) [1413235](#) [MP88X-1000](#) [MPS88RX-5000](#) [E5288-S000K3-L](#) [E5908-15A242-L](#) [155302-001](#)