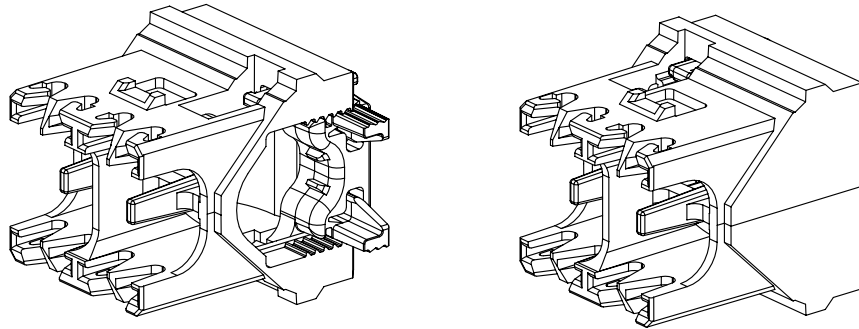


THIS COPY IS PROVIDED ON A RESTRICTED BASIS AND IS NOT TO BE USED IN ANY WAY DETRIMENTAL TO THE INTERESTS OF PANDUIT CORP.

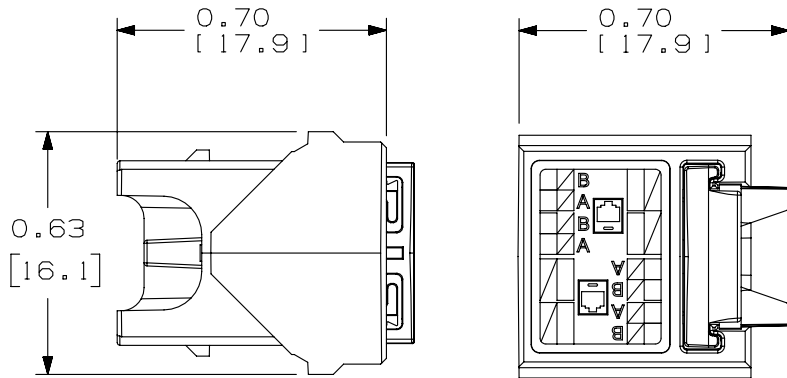
PANDUIT P/N	WEIGHT*
SEE TABLE 1	.45 LB/100 PCS (203 g/100 PCS)

*WEIGHT IS APPROXIMATE



NOTES:

1. MINI-COM TX RIGHT ANGLE JACK MODULE WIRE CAP
2. TERMINATES ALL CJ**TG** UTP JACK MODULES.
3. WIRE CAP TERMINATES CABLE TO THE RIGHT OR TO THE LEFT.
4. TERMINATES 22-26 AWG SOLID OR STRANDED UTP CABLE.
5. MATERIAL: POLYCARBONATE
6. DIMENSIONS IN BRACKETS ARE METRIC.
7. SEE PN581 FOR INSTALLATION INSTRUCTIONS.



PART NUMBER	COLOR	PERFORMANCE CATEGORY
CJRCAPBU	BLUE	CATEGORY 6A
CJRCAPIW	INTERNATIONAL WHITE	CATEGORY 6
CJRCAPRD	RED	CATEGORY 5E

PART NUMBER	SEE TABLE 1	PRODUCT SPEC/PKG SPEC	N/A
I.I. NUMBER	N/A	WORK INSTRUCTION	N/A

TITLE		MINI-COM TX RIGHT ANGLE JACK MODULE WIRE CAP	
CUSTOMER DRAWING			
ITEM REVISION NAME		11M257FI/00	
DATASET FILE NAME		11M257FJ_DC01874-161/00B	
UNLESS OTHERWISE SPECIFIED, DIMENSIONAL TOLERANCES ARE: IN [mm]		REVIEW DRAWING NUMBERS:	
.x ± .1 [2.54] .xxx ± .01 [.25]			
.xx ± .02 [.50] ANGLES ± 5 °		DRAWING NUMBER:	
 THIRD ANGLE PROJECTION		01874-161	
DRAWN BY	DATE	CHK	SCALE
BJN	8-6-13	JAV	2:1
SHT 1 OF 1			SIZE
			A

REV	DATE	BY	CHK	APR	DESCRIPTION	ECN
1	11-5-13	BJN	JAV	EJH	UPDATED	01874-161
R	8-6-13	BJN	JAV	EJH	RELEASED TO PRODUCTION	01874-161

D10100DA/14

2

1

2

1

X-ON Electronics

Largest Supplier of Electrical and Electronic Components

Click to view similar products for [Modular Connectors / Ethernet Connectors](#) category:

Click to view products by [Panduit](#) manufacturer:

Other Similar products are found below :

[8949-H88/06BLKA/SN](#) [74441-0010/BKN](#) [MP1010RX-1000](#) [MP44RX-1000](#) [PHP-6P6C-5](#) [GAX-3-66](#) [GAX-8-62](#) [GDCX-PA-66-50](#) [GDCX-PN-64](#) [GDCX-PN-66](#) [GDCX-PN-66-50](#) [GDLX-A-66](#) [GDLX-N-66](#) [GDLX-S-66](#) [GDLX-S-88K](#) [GDTX-S-88-50](#) [GDX-PA-1010](#) [GLX-N-1010M-BLK](#) [GLX-S-88M-BLK](#) [GMX-N-1010](#) [GMX-S-1010](#) [GMX-S-66](#) [GMX-SMT4-N-88](#) [GPX-2-64](#) [GSGX-N-2-88](#) [GSGX-N-4-88](#) [GSX-NS2-88-3.05](#) [GSX-NS2-88-3.05-50](#) [GSX-NS-88-3.05-50](#) [PT-108A-8C-UL](#) [PT-J951-8C](#) [PTS-J531-8CS-50UL](#) [1-1775629-2](#) [A-2014-0-4](#) [GWLX-S-88-GR](#) [GWLX-S9-88-YG](#) [DC-1021-8-WH-6](#) [1300530003](#) [1324640-4](#) [RJ11FTVC2G](#) [RJ11FTVC2N](#) [RJFTVX2SA1G](#) [132764-001](#) [1413235](#) [MP88X-1000](#) [MPS88RX-5000](#) [E5288-S000K3-L](#) [E5908-15A242-L](#) [155302-001](#) [AX100653](#)