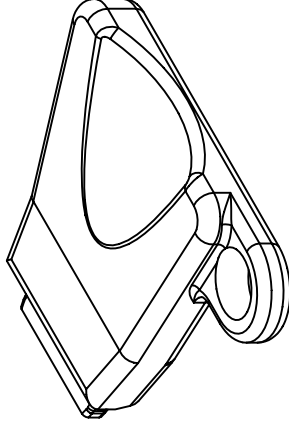
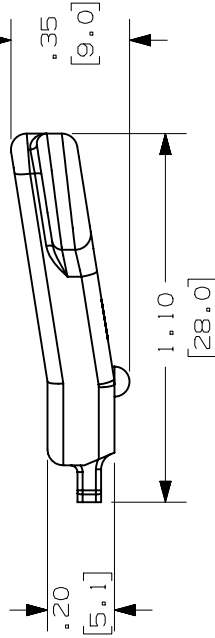
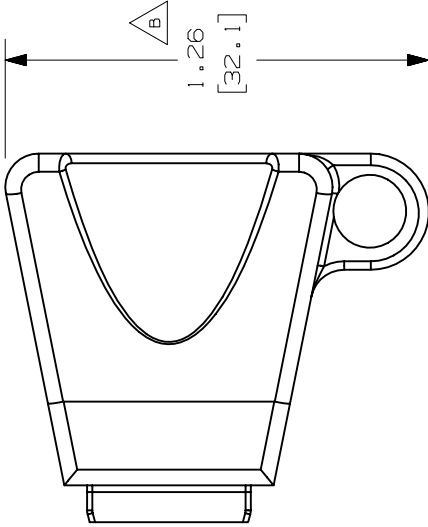


THIS COPY IS PROVIDED ON A RESTRICTED BASIS AND IS NOT TO BE USED IN ANY WAY DETRIMENTAL TO THE INTERESTS OF PANDUIT CORP.

PANDUIT P/N	WEIGHT
CJT	.0066 LB/50 PCS (3.02g/50 PCS)

- NOTES:
- SEE CURRENT CATALOG FOR ADDITIONAL PART NUMBER SUFFIXES TO INDICATE COLOR AND OR PACKAGE QUANTITY.
  - DIMENSIONS IN PARENTHESES ARE IN METRIC.



CAD FILENAME/LAYERS D35071CD\_CJT\_00C

# PANDUIT

CAT. 3 AND CAT. 5E JACK TERMINATION TOOL  
CUSTOMER DRAWING (CJT)

UNLESS OTHERWISE SPECIFIED, DIMENSIONAL TOLERANCES ARE:  
(.X) ± (.XXX) ±  
(.XX) ± (.03(.8) ANGLES ±

UNLESS OTHERWISE SPECIFIED, ALL DIMENSIONS ARE GIVEN IN INCHES, THIRD ANGLE PROJECTION.

SCALE NONE

MAT'L: NYLON

DRAWN BY JBA

DATE 1-30-96

CHECKED BY CEF

DRAWING NO. 35071-33

DWG SIZE A

2 6-27-00 LZ UPDATED TO REFLECT PART AS MOLDED B. DIM WAS .97 [24.7] CAD MODEL

1 11-11-99 JSP CEF A. REVISED TITLE.

R 1-30-96 JBA CEF RELEASED TO PRODUCTION.

REV DATE BY CHK DESCRIPTION

ECN

CHK

CUST

SUP

+

+

## X-ON Electronics

Largest Supplier of Electrical and Electronic Components

*Click to view similar products for [Hand Tools](#) category:*

*Click to view products by [Panduit](#) manufacturer:*

Other Similar products are found below :

[58284-1](#) [662908-1](#) [68764-0001](#) [690619-6](#) [7-354778-7](#) [768531-1](#) [821903-5](#) [822253-1](#) [854183-1](#) [854358-1](#) [992258-1](#) [1-21046-3](#) [1-22145-3](#)  
[1-22278-2](#) [1-24954-2](#) [125529-5](#) [126513-1](#) [1320846-1](#) [1338618-1](#) [1338968-2](#) [1-354779-0](#) [1-354779-2](#) [1-354779-4](#) [1424443-1](#) [1424266-1](#)  
[1424289-1](#) [1424444-1](#) [MS24256A16](#) [1-525442-0](#) [1532195-2](#) [1538773-2](#) [1-59681-8](#) [1-59907-5](#) [1-692134-3](#) [1725760-1](#) [HT-920A-124-](#)  
[HTELE-RPL-KIT](#) [1976923-1](#) [1976969-1](#) [2063794-1](#) [2063795-1](#) [2-21002-1](#) [2-21002-3](#) [2-21002-4](#) [2-21002-7](#) [2-21002-9](#) [2-21004-0](#) [229399-](#)  
[2](#) [229707-1](#) [911737-2](#) [2598-5027-54](#)