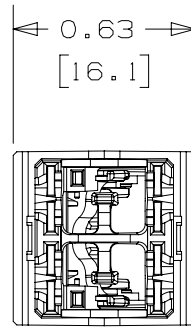
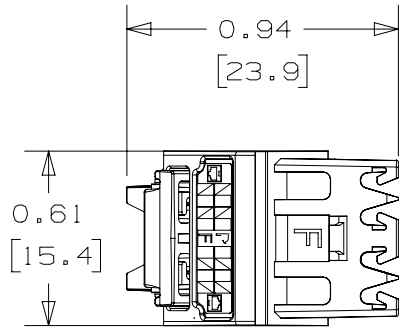
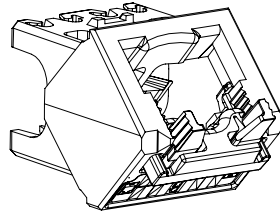
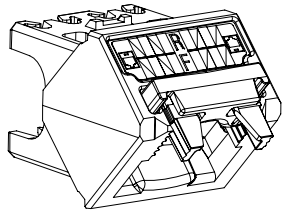


THIS COPY IS PROVIDED ON A RESTRICTED BASIS AND IS NOT TO BE USED IN ANY WAY DETRIMENTAL TO THE INTERESTS OF PANDUIT CORP.



NOTES:

1. VISIT OUR ON-LINE CATALOG AT WWW.PANDUIT.COM FOR A LIST OF CURRENT PARTS APPLICABLE FOR USE WITH THIS PRODUCT.
2. DIMENSIONS IN [ ] ARE METRIC.
3. WEIGHT: .45 LB/100 PCS (203 g/100 PCS).
4. TERMINATES ALL CJ\*\*88TG\*\* UTP JACK MODULES.
5. WIRE CAP TERMINATES CABLES UP OR DOWN (VERTICALLY).
6. TERMINATES 22-26 AWG SOLID OR STRANDED UTP CABLE.
7. RoHS COMPLIANT.

TABLE 1 - PART NUMBERS

PART NUMBER	ASSEMBLY COLOR	PERFORMANCE CATEGORY (TIA)	
		ISO	ISO
CJUDCAPBU-%	BLUE	CATEGORY 6A	CLASS EA
CJUDCAPIW-%	INTERNATIONAL WHITE	CATEGORY 6	CLASS E
CJUDCAPRD-%	RED	CATEGORY 5E	CLASS D

WHERE % -C IS FOR BULK PACK OF 100 AND -X IS FOR BULK PACK OF 10

PART NUMBER		SEE TABLE 1	
TITLE			
<b>MINI-COM™ TG™ 45° UP-DOWN WIRE CAP</b> CUSTOMER DRAWING			
ITEM REVISION NAME		00153LAE/04	
DATASET FILE NAME		00153LAE_DC02/04A	
		THIRD ANGLE PROJECTION	
MATERIAL		POLYCARBONATE	
DRAWING NUMBER		00153LAE-02	
DRAWN BY	DATE	CHK	SCALE
BJN	10-14-16	JAV	NONE
SHEET 1 OF 1			A

REV	DATE	BY	CHK	APR	DESCRIPTION	ECN
5	11-12-18	BJN	MDJR	TMBA	UPDATED	00153LAE-02
4	4-17-18	BJN	ROJC	TMBA	UPDATED	00153LAE-02



A-SIZE CUSTOMER

2

1

2

1

## X-ON Electronics

Largest Supplier of Electrical and Electronic Components

*Click to view similar products for [D-Sub Standard Connectors](#) category:*

*Click to view products by [Panduit](#) manufacturer:*

Other Similar products are found below :

[56F711-015](#) [LV242999-142T12](#) [015-0341-000](#) [015-0372-005](#) [015-0372-008](#) [015-8755-001](#) [020419-0104](#) [012-0467-000](#) [012-9507-034](#) [012-9507-114](#) [020745-0008](#) [609-25P](#) [CT2-14S-2PCA34](#) [CT2-18-11PCAU](#) [CT6-10SL-3SC](#) [CT6-10SL-4SC](#) [CT6-14S-2SC](#) [CT6E14SA7SC](#)  
[M83513/01-FC](#) [M83723/76W24619 L/C](#) [M85049/48-3-2F](#) [6STD09PCM99B70X](#) [6STD09SCM99B30X](#) [6STD09SCT99S40X](#)  
[6STD15PCT99S40X](#) [6STD15SCM99B30X](#) [6STD15SCT99S40X](#) [6STF09PCM05B70X](#) [7-135760-9](#) [MC11E-10-6SN](#) [747552-3](#) [MD1-21PS](#)  
[MDM-15SCBRM7-F222](#) [MDM96517-699](#) [MDM96521-744](#) [MDVB1-21SL1](#) [MIK0-1-7SH003](#) [MIKQ6-7SH076](#) [MIKQ7-7PH077](#) [MIKQ7-7PH11](#) [MIKQ7-7PH32](#) [MJSV-28SL61](#) [MKJ4A1F14-55S](#) [8-135760-3](#) [8STD09PCM99B30X](#) [PG-KV/PV-16-GROM-SEALING](#) [GDA15P](#)  
[GDAY15PB](#) [980-0000-170](#) [980-0000-171](#)