

AV In-Wall Boxes

specifications

AV In-wall boxes are steel storage boxes that are intended to be mounted behind monitors or screens to house active equipment and manage cables in a variety of settings. A full grid pattern maximizes equipment and cable management configurations. A standard outlet knockout and bezel for passing cables shall be available. In wall box finish shall be pure color and will resist scratches and dents and will not corrode. The AV in wall box shall be available in two standard sizes and shall be optimized for use with the Panduit Audio Video system.



CMBBLWH



CMBBSWH

technical information

Material:	Steel
Mounting:	Mounts between standard 16-inch wood or metal studs (screws not included)
Small Size Included Parts:	2 push mount cable ties, cable bezel
Large Size Included Parts:	4 push mount cable ties, cable bezel
Grid Pattern:	full 1-inch grid pattern
Depth:	3.4 inches

key features and benefits

Equipment Storage	The in-wall box is an ideal size for storage of HDBaseT receivers, AV over IP decoders, media boxes, and cable boxes
1" grid pattern	Full grid pattern for unlimited configurations for cables and equipment
Cable Management	Included push mount cable ties help organize and store multiple cable types
Power knockout	Standard outlet knockout
Easy to mount	Installs easily between any standard metal or wooden studs and can be mounted with bezel and power knockout either facing up or down

applications

The AV in-wall box is a storage and cable management solution that is intended to be mounted behind a television monitor or projection screen. The in-wall box can be used in any application requiring storage or power placement for active components. It is ideal for digital signage, conference rooms, classrooms, and any application with a monitor. With two sizes available, the in-wall box can fit behind a variety of screens and monitors.

AV In-Wall Boxes

Small Size: CMBBSWH

Large Size: CMBBLWH

Accessories (sold separately)

D Ring Cable Manager: CMBBCMR

Equipment Bracket: CMBBRKT

Outlets*:

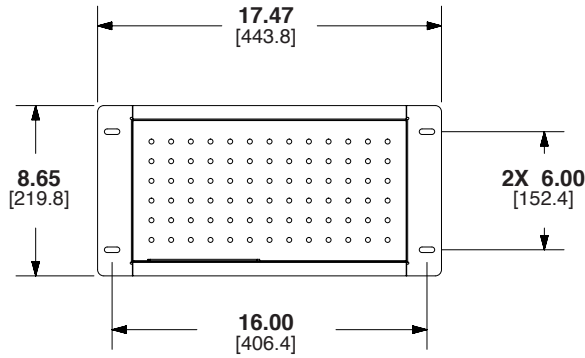
Rectangular Outlet: ERU20WH

106 Style Outlet: CDU20WH

*additional colors available, please see Panduit.com

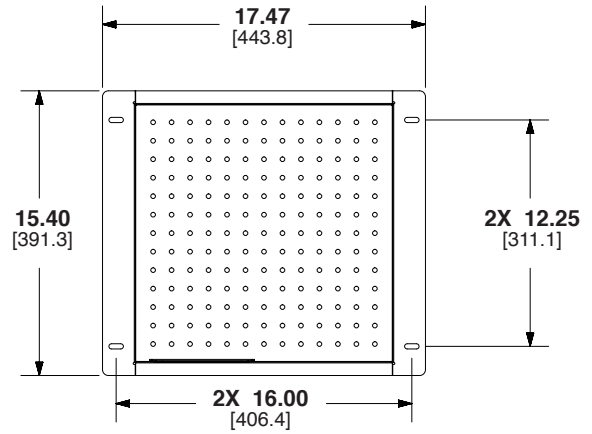
AV In-Wall Boxes

AV In-Wall Box-Small



CMBBSWH

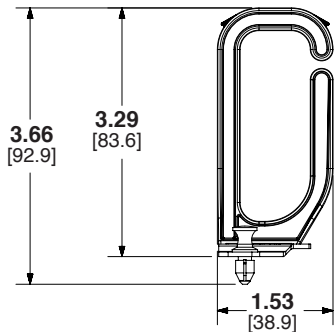
AV In-Wall Box-Large



CMBBLWH

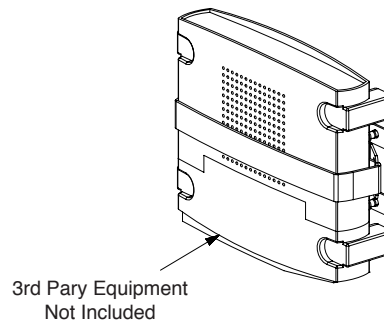
Optional:

D Ring Cable Manager



CMBBCMR

Equipment Bracket



CMBBRKT

Dimensions are in inches (Dimensions in parenthesis are metric)

WORLDWIDE SUBSIDIARIES AND SALES OFFICES

PANDUIT US/CANADA
Phone: 800.777.3300

PANDUIT EUROPE LTD.
London, UK
cs-emea@panduit.com
Phone: 44.20.8601.7200

PANDUIT SINGAPORE PTE. LTD.
Republic of Singapore
cs-ap@panduit.com
Phone: 65.6305.7575

PANDUIT JAPAN
Tokyo, Japan
cs-japan@panduit.com
Phone: 81.3.6863.6000

PANDUIT LATIN AMERICA
Guadalajara, Mexico
cs-la@panduit.com
Phone: 52.33.3777.6000

PANDUIT AUSTRALIA PTY. LTD.
Victoria, Australia
cs-aus@panduit.com
Phone: 61.3.9794.9020

For a copy of Panduit product warranties, log on to www.panduit.com/warranty

For more information

Visit us at www.panduit.com

Contact Customer Service by email: cs@panduit.com
or by phone: 800.777.3300

PANDUIT[®]

©2018 Panduit Corp.
ALL RIGHTS RESERVED.
OTSP58--SA-ENG
6/2018

X-ON Electronics

Largest Supplier of Electrical and Electronic Components

Click to view similar products for [Racks & Rack Cabinets](#) category:

Click to view products by [Panduit](#) manufacturer:

Other Similar products are found below :

[1440-0133-36](#) [5231308-07](#) [UNC-23/4-6-6-PLAIN](#) [UPR 525-17-14 BLU/WHT](#) [RM2U19BKFP](#) [RM3U19BKFP](#) [RM2U1918SBK](#)
[RM4U1922SBK](#) [RM4U1918SBK](#) [RM1U1922SBK](#) [HDR6UBK](#) [RM4U1908VBK](#) [RM1UMTGFL](#) [DN-W19 06U/450](#) [DN-W19 12U/450](#)
[G17083UBK](#) [P32180011](#) [P32180012](#) [P32180021](#) [P32180022](#) [P32180031](#) [P32180132](#) [G17081UG](#) [G17082UG](#) [G17083UG](#) [G17081UBK](#)
[G17082UBK](#) [C2F193523BK1](#) [C2F193531BK1](#) [C2F197031LG1](#) [C2RR194231LG1](#) [C4RR247731DBK1](#) [DNRR1963LDK](#) [DNRR1970LDK](#)
[DNRR1977DCK](#) [HDME20610BK](#) [HWMR1920UBK](#) [HWMR1932UBK](#) [RB-2P77](#) [RB-AV18](#) [RB-AV27](#) [RB-FW6](#) [RB-WR2](#)
[RCHV1901717LG1](#) [RM1U0804SBK](#) [RM1U0804VBK](#) [RM1U0808VBK](#) [RM1U1908SBK](#) [RM1U1908VBK](#) [RM1U1913SBK](#)