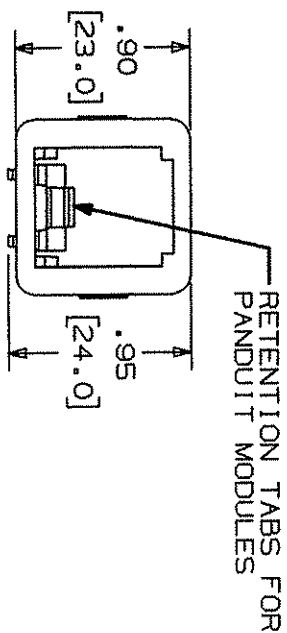
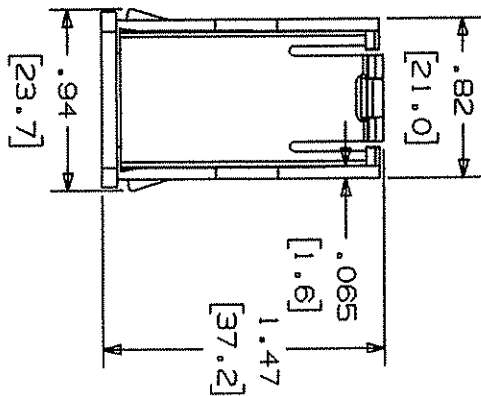
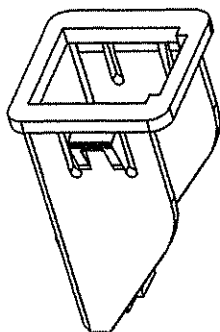


THIS COPY IS PROVIDED ON A RESTRICTED BASIS AND IS NOT TO BE USED IN ANY WAY DETRIMENTAL TO THE INTERESTS OF PANDUIT CORP.

PANDUIT PART NO.	WEIGHT
CMNZA	.27 LB/10 PCS (123 g/10 PCS)



- NOTES:
1. SEE CURRENT CATALOG FOR ADDITIONAL PART NUMBER SUFFIXES TO INDICATE COLOR AND OR PACKAGE QUANTITY.
  2. THIS PRODUCT IS INTENDED TO BE USED WITH THE PDL NEW ZEALAND FACEPLATES.
  3. CONVERTS A PDL FACEPLATE OPENING TO A MINI-COM OPENING.
  4. DIMENSIONS IN PARENTHESIS ARE IN METRIC.



DWG FILENAME/LAYERS

D35544CO\_CMNZA\_00

**PANDUIT**  
CORP., TINLEY PARK, ILLINOIS

NEW ZEALAND ADAPTER  
(CMNZA) CUSTOMER DRAWING

UNLESS OTHERWISE SPECIFIED,  
DIMENSIONAL TOLERANCES ARE:  
(.XX) ± .03(.8) ANGLES ± .4

UNLESS OTHERWISE SPECIFIED,  
ALL DIMENSIONS ARE GIVEN  
IN INCHES, THIRD ANGLE PROJECTION.

DRAWN BY JBA

MAT'L: ABS

SCALE

NONE

DATE 3-18-97

ABS

DRAWING NO.

35544-38

DWG SIZE A

REV	DATE	BY	CHK	DESCRIPTION	EON	CHK	CUST	SUP
R	3-18-97	JBA	[Signature]	RELEASED TO PRODUCTION.	35544-38	[Signature]	[Signature]	

## X-ON Electronics

Largest Supplier of Electrical and Electronic Components

*Click to view similar products for [Phone Connectors](#) category:*

*Click to view products by [Panduit](#) manufacturer:*

Other Similar products are found below :

[M444B](#) [6J1041A](#) [R4F](#) [128PKG](#) [RJ3VI](#) [E12BPKG](#) [ECP4PKG](#) [161-3502L-E](#) [161-7900HS-EX](#) [163-157J-E](#) [MT333X](#) [171-0350-EX](#) [171-105AC-EX](#) [171-3325-EX](#) [171-6435-EX](#) [176S](#) [NC3MG-V](#) [NMJ4HFD2-NW](#) [NRJ4HH-1](#) [NS112BX](#) [NYS228G](#) [NYS352AG](#) [P10834](#) [P2380](#) [P2381X](#) [P2411X](#) [P2412](#) [P2724](#) [9144](#) [S2674](#) [163-156N-2-E](#) [163-158N-2-E](#) [171-0250-EX](#) [171-3500-E](#) [171-PA3191-2-E](#) [ST-3141-5N](#) [229](#) [2501FT](#) [CMT335](#) [M10662](#) [330Q](#) [RJ5VI-S](#) [40116](#) [TM1R-AU](#) [TM2PBMJ-AU](#) [TM2PJ-AU](#) [TM2PJ-AU BULK](#) [4803.1351](#) [TP-125-5](#) [49201](#)