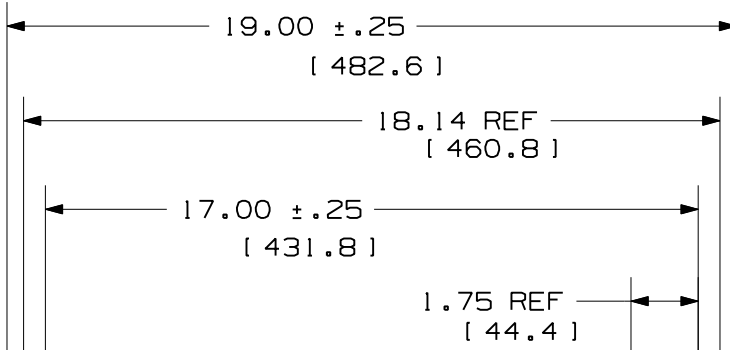


THIS COPY IS PROVIDED ON A RESTRICTED BASIS AND IS NOT TO BE USED IN ANY WAY DETRIMENTAL TO THE INTERESTS OF PANDUIT CORP.



PANDUIT P/N	WEIGHT
CMRPSH20	06.0 LBS/EACH 2.7 Kg/EACH

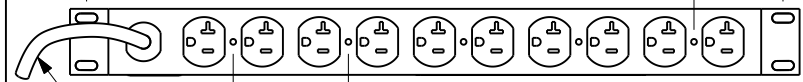
- NOTES:
- IDENTIFICATION: 125 VOLT HORIZONTAL POWER STRIP WITH TEN, 20 AMP (REAR MOUNTED) OUTLETS.

PART NO COLOR
CMRPSH20 BLACK

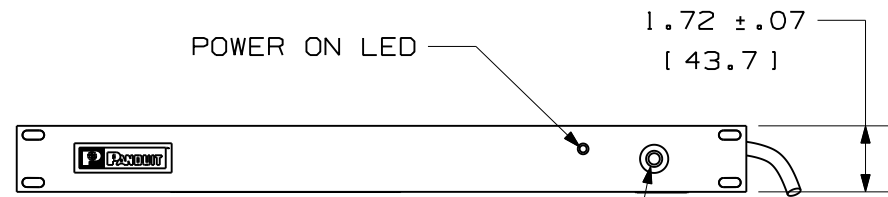
- ACCESSORY COMPONENTS:
(4) #10-32 X 1/2" MOUNTING SCREWS
(4) #12-24 X 1/2" MOUNTING SCREWS

- THE POWER STRIP SHALL HAVE THE FOLLOWING:
-TEN (10) - NEMA 5-20R OUTLETS (5 DUPLEX RECEPTACLES)
-10 FOOT POWER CORD WITH NEMA 5-20P PLUG

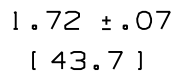
- DIMENSIONS IN PARENTHESES ARE METRIC [mm].



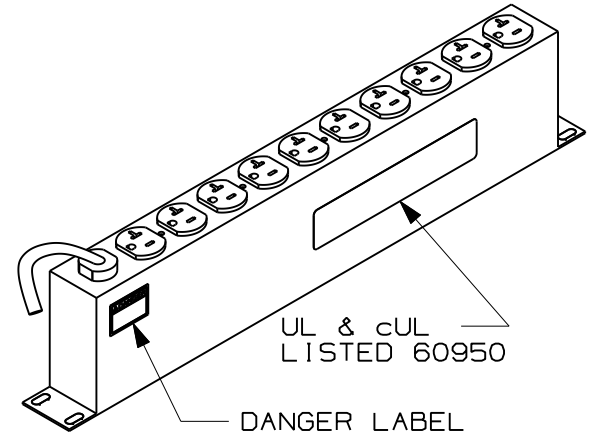
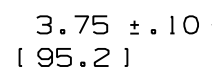
POWER CORD



POWER ON LED



20 AMP THERMAL BREAKER RESET



UL & cUL LISTED 60950

DANGER LABEL

MODEL FILENAME V01129CB_CMRPSH20_00.PRT
CAD FILENAME/LAYERS V01129CB_DC_00D.PRT

PANDUIT CORP. TINLEY PARK, ILLINOIS

1RU 19" HORIZONTAL POWER STRIP
20 AMP 125V (CMRPSH20)
CUSTOMER DRAWING

REV	DATE	BY	CHK	DESCRIPTION	ECN	R	CUST	SUP	OTH
---	---	---		K. UPDATED TITLE BLOCK J. ADDED WEIGHT BOX I. NOTE 3 WAS THE POWER STRIP SHALL HAVE THE FOLLOWING:-TEN (10) - NEMA 5-20R OUTLETS (5 DUPLEX 20 AMP RECEPTACLES) WITH NEMA 5-20P PLUG H. NOTE 4 WAS METRIC DIMENSIONS SHOWN IN BRACKETS ARE FOR REFERENCE ONLY (MM).	---				
OOD	5-4-09	MRWA		G. NOTE 3 WAS SEE SPEC. SHEET SA-NC10SPOIF FOR TECHNICAL SPECIFICATIONS. F. ADDED UL LABEL AND TEXT E. ADDED DANGER LABEL AND TEXT	01129-05				
OOC	4-22-02	MAV		B. REMOVED THUMB SCREWS W/RETAINING RINGS C. ADDED VOLTAGE TO NOTE #1 D. ADDED SPEC SHEET #	01129-05				
OOB	9-7-01	MAV	MJM	A. REVISED ACCESSORY COMPONENTS	01129-05		JWI		
OOA	7-24-01	JDWE	MJM	RELEASED TO PRODUCTION	01129-05		JWI		

UNLESS OTHERWISE SPECIFIED, DIMENSIONAL TOLERANCES ARE:
(.X) ± (.XXX) ±
(.XX) ± ANGLES ±

UNLESS OTHERWISE SPECIFIED, ALL DIMENSIONS ARE GIVEN IN INCHES, THIRD ANGLE PROJECTION.

DRAWN BY JDWE
DATE 7-24-01
CHK'D MJM
MAT'L: COLD-ROLLED STEEL

SCALE 1:5
DRAWING NO. 01129-05
DWG SIZE A

X-ON Electronics

Largest Supplier of Electrical and Electronic Components

Click to view similar products for [Power Outlet Strips](#) category:

Click to view products by [Panduit](#) manufacturer:

Other Similar products are found below :

[G20IG606](#) [1301430288](#) [1301430321](#) [1447B163](#) [UL602CB-6](#) [UL7408-6](#) [ULHC4-15](#) [V20IG606](#) [UL2063BD](#) [TSB](#) [4748.03](#) [4309](#) [UL7208-15](#) [3083](#) [3050F](#) [3090](#) [1301350158](#) [1301350173](#) [3085-10](#) [DAPI-USEU](#) [1583H8B1BKV](#) [1589H77D1JV](#) [1589H77G1JV](#) [1589H8D1BKRRV](#) [1589H8G1BKRRV](#) [DTEL2](#) [TLP712B](#) [STRIKER](#) [TLM825SA](#) [UL620-15](#) [3SP](#) [1301370166](#) [130143-0153](#) [1301370216](#) [602](#) [6SP](#) [1584B10](#) [1589H48G1](#) [1589T6D1](#) [1301350185](#) [1301350186](#) [1301350187](#) [1301350197](#) [1301350233](#) [1301350234](#) [1301350201](#) [1301350207](#) [1301350209](#) [1301350211](#) [1301350213](#)