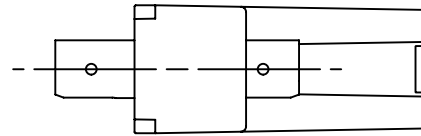


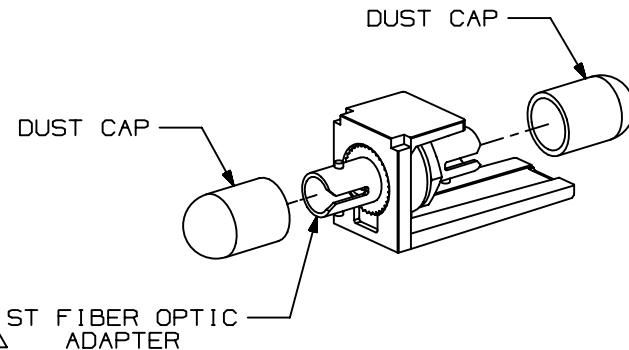
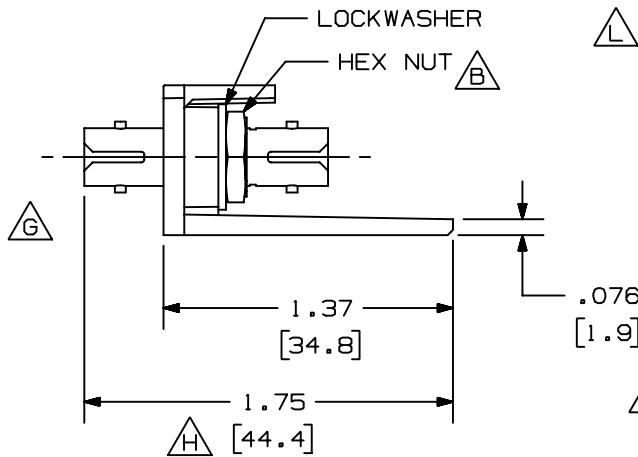
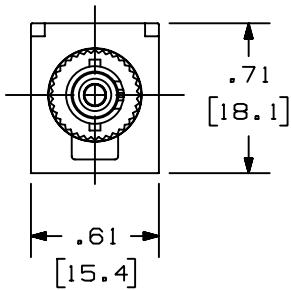
THIS COPY IS PROVIDED ON A RESTRICTED BASIS AND IS NOT TO BE USED IN ANY WAY DETRIMENTAL TO THE INTERESTS OF PANDUIT CORP.



| PANDUIT P/N | WEIGHT |
|-------------|-----------------------------------|
| CMST** | 2.37 LB/100 PCS (1078g/100PCS) |
| CMSTZ** | 2.37 LB/100 PCS (1078g/100PCS) |

NOTES:

- SEE CURRENT CATALOG FOR ADDITIONAL PART NUMBER SUFFIXES TO INDICATE COLOR AND/OR PACKAGE QUANTITY.
- SEE CATALOG FOR COMPLETE LIST OF PARTS APPLICABLE FOR USE WITH THIS PART.
- THIS PART IS DESIGNATED FOR USE WITH MINI-COM PLATES AND BOXES.
- DIMENSIONS IN BRACKETS ARE METRIC [mm].
- ADAPTER SLOT ORIENTATION MAY VARY.



| | |
|----------------------|------|
| MODEL FILENAME | SIZE |
| DRAWING FILENAME | A |
| D35241BD_CMST_03.PRT | |

| | |
|-------|---|
| TITLE | MINI-COM ST FIBER OPTIC ADAPTER MODULE CUSTOMER DRAWING |
|-------|---|

| | | | | | | | | | | |
|-----|----------|-----|-----|---|----------|-----|------|-----|-----|--|
| 04 | 1-31-03 | EFK | | L. ADDED: NOTE 5 K. ADDED CMSTZ** | 35241-04 | | | | | |
| 03 | 11-27-01 | EFK | MMW | J. ADDED: NOTE 3 H. ADDED: 1.75 [44.4] DIMENSION G. REM'D: .098 [2.5] DIMENSION F. REVISED ST ADAPTER PICTORALLY | 35241-04 | MMW | MMW | | | |
| 02 | 08-25-98 | JBA | FJD | E. MATERIAL WAS: HIPS | 35241-04 | FJD | FJD | | | |
| 01 | 08-22-95 | DW | CEF | D. CORRECTED WEIGHT C. MATERIAL WAS: A.B.S. B. ADDED: HEX NUT A. CORRECTED POSITION OF ADAPTER | 35241-04 | CEF | | | | |
| R | 08-15-95 | DW | CEF | RELEASED TO PRODUCTION | 35241-04 | CEF | | | | |
| REV | DATE | BY | CHK | DESCRIPTION | ECN | R | CUST | SUP | OTH | |

| | |
|---|---|
| <p>PANDUITTM CORP. TINLEY PARK, ILL 60477</p> | I.I. NUMBER |
| | PRODUCT SPEC |
| <p>ALL DIMENSIONS ARE GIVEN IN INCHES, UNLESS OTHERWISE SPECIFIED.</p> <p>DIMENSIONAL TOLERANCES ARE: (.X) ± (.XXX) ± .010 (0.3) (.XX) ± .03 (0.8) ANGLES ±</p> | WORK INST |
| | SCALE |
| <p>THIRD ANGLE PROJECTION</p> <p>DRAWN BY: DW</p> <p>DATE: 06-26-95</p> <p>CHK'D</p> | PART NO. |
| <p>MATERIAL: A.B.S.</p> | <p>CMST** CMSTZ**</p> <p>DRAWING NO. 35241-04</p> |

X-ON Electronics

Largest Supplier of Electrical and Electronic Components

Click to view similar products for [Fibre Optic Connectors](#) category:

Click to view products by [Panduit](#) manufacturer:

Other Similar products are found below :

[0004700001](#) [6100-R](#) [6313](#) [F709034706](#) [F709722200](#) [F709730000](#) [F718183204](#) [F727403500](#) [F727752800](#) [8119](#) [9440F20-27S-190](#) [944-120-6001](#) [9441F10SL-3S](#) [9444W28-21S](#) [9444W36-10S](#) [9446F10SL-4S](#) [9446W20-16S](#) [953-101-5310-P](#) [954-101-57202B](#) [A0270169](#) [12-9122](#) [12-5702](#) [AX101713](#) [AX102420](#) [AX103923](#) [AX104024](#) [AX104193](#) [AX104230](#) [AX104562](#) [AX105203-B25](#) [AX105205-S1](#) [EHSC2M](#) [17-300800](#) [181-011-126](#) [181-011-S](#) [181-057-126](#) [HRFC-R2\(40\)](#) [NKSOPBUY](#) [20500002116](#) [2064996-1](#) [20800001065](#) [2170](#) [9132](#) [2612](#) [2620](#) [9291](#) [9440F16-10S](#) [9440F20-18S](#) [9446F16-10S-190](#) [953-106-50231](#)