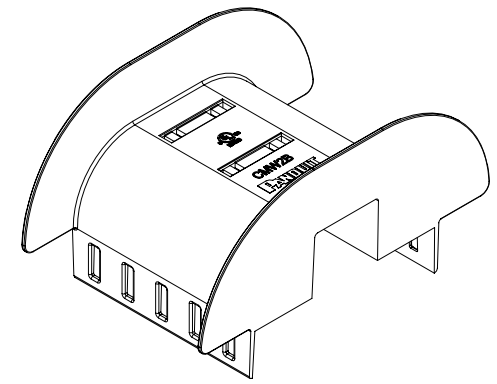
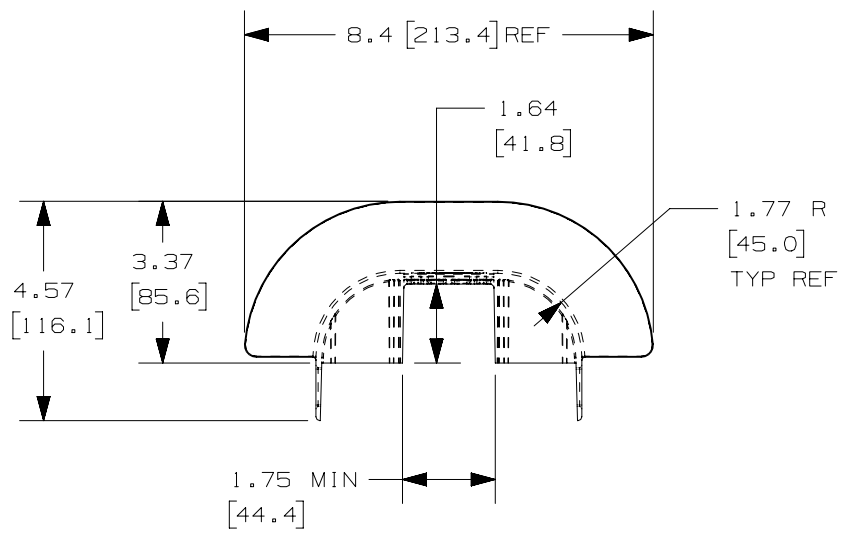
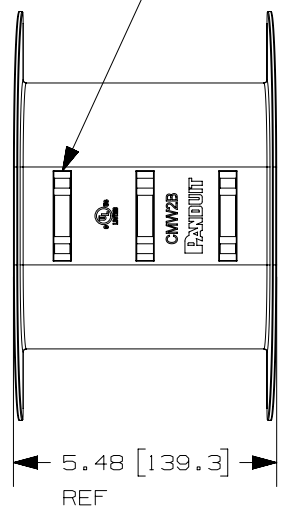


THIS COPY IS PROVIDED ON A RESTRICTED BASIS AND IS NOT TO BE USED IN ANY WAY DETRIMENTAL TO THE INTERESTS OF PANDUIT CORP.

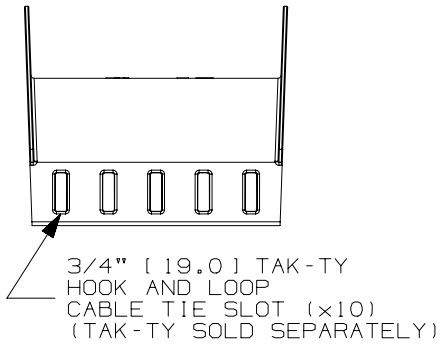
- NOTES:
1. SEE CURRENT PRICE SHEET FOR PART NUMBER SUFFIX DESIGNATION FOR PACKAGE SIZE AND COLOR.
  2. FLAME RETARDANT CABLE TIES (QTY. 3, PLT2S-M60) ARE INCLUDED FOR USE WITH THIS PRODUCT.

PANDUIT PART NO.	WEIGHT lbs / PC (g)
CMW2B	0.59 [ 267.6 ]

CABLE TIE SLOTS FOR PLT2S (x6)



ISO VIEW  
SCALE 1:4



REV	DATE	BY	CHK	APR	DESCRIPTION	ECN
01A	3/14/18	MEX-JAGC	DWR	DWR	A. NEW GEOMETRY. UPDATED TITLE BLOCK	V09001PJ/00
R	6/7/06	JAD			INITIAL RELEASE	GB3244CB

TITLE <b>CABLE MANAGEMENT WATERFALL BASE-DOUBLE (CMW2B)</b> CUSTOMER DRAWING			
ITEM REVISION NAME G03597ER/01		<b>PANDUIT</b>	
DATASET FILE NAME G03597ER_DC/01A			
UNLESS OTHERWISE SPECIFIED, DIMENSIONAL TOLERANCES ARE:			MATERIAL: GLASS FILLED NYLON 6/6
INCHES X.X +/- 0.03 X.XX +/- 0.018 X.XXX +/- 0.007	METRIC - MILLIMETER X.X +/- 0.8 X.X +/- 0.46 X.XX +/- 0.18	ANGLE +/- 1°	DRAWING NUMBER: GB3244CB-DC
THIRD ANGLE PROJECTION			
DRAWN BY JAD	DATE 6/7/06	CHK	SCALE 1:4
SHT 1 OF 1		SIZE A	

D10100DA/20

## X-ON Electronics

Largest Supplier of Electrical and Electronic Components

*Click to view similar products for [Racks & Rack Cabinet Accessories](#) category:*

*Click to view products by [Panduit](#) manufacturer:*

Other Similar products are found below :

[M00-PLN](#) [F2424](#) [8351-832-A-24](#) [9104](#) [9105](#) [PLFF2000](#) [H-9163-B](#) [1427C3](#) [HTS10](#) [PC-79](#) [SC10-3A](#) [SC4-28](#) [CG3-340S/12](#) [CP-001BK](#)  
[M6123-4007-SS](#) [AX61400TB](#) [TS170](#) [LP40](#) [5261304-07](#) [CG3-160G](#) [7112C-PLN](#) [ALUM](#) [CM10](#) [8610-3124-S-26](#) [TS81](#) [7142](#) [GP134](#)  
[M6125-4007-A-24](#) [M6127-4007-SS](#) [PBCOVER](#) [512](#) [AEG-4000G](#) [AEG-3000G](#) [HD99](#) [SR2-66A2](#) [FP10B4HP-1](#) [FP52-2](#) [1406-1006-01](#)  
[29478](#) [TS2535](#) [TS169-6](#) [CAC2](#) [HA19-3U](#) [BR-19-10-1](#) [TS180](#) [CG3-ESD](#) [SC11-1](#) [CFS-1.00/2.20](#) [AX6145WM](#) [HEC0800PB](#) [ZC633R](#)