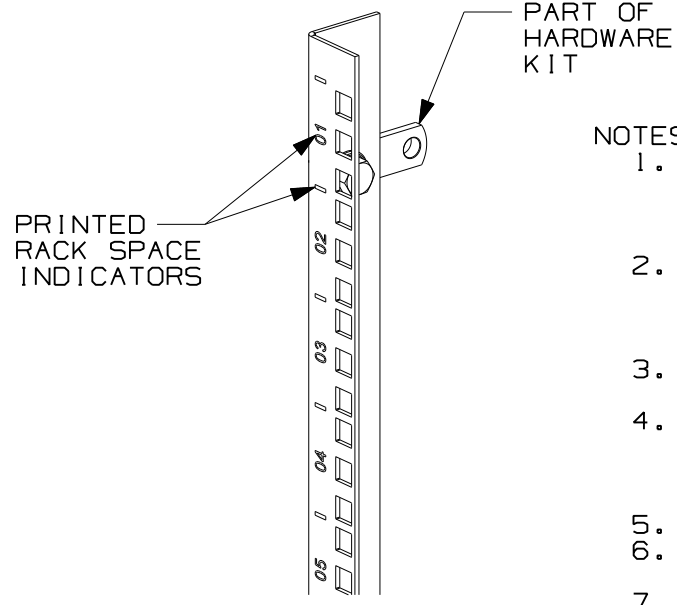
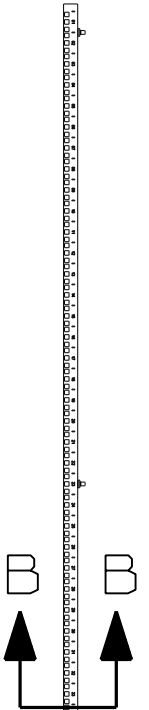
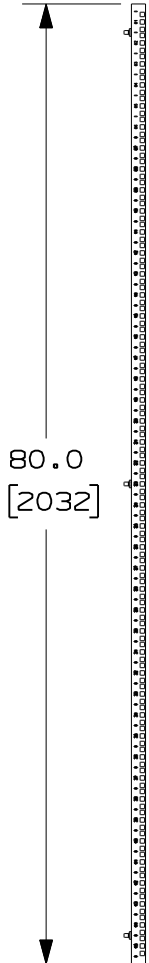
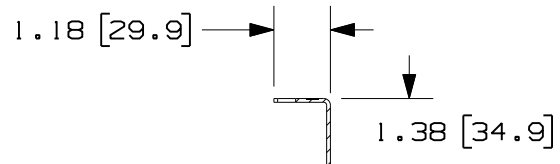


THIS COPY IS PROVIDED ON A RESTRICTED BASIS AND IS NOT TO BE USED IN ANY WAY DETRIMENTAL TO THE INTERESTS OF PANDUIT CORP.

PANDUIT P/N	WEIGHT
CNRC	8.2 LBS/EACH 3.7 kg/EACH



DETAIL OF LEFT RAIL



SECTION B-B
SCALE 1:4

- NOTES:
- VISIT OUR ON-LINE CATALOG AT WWW.PANDUIT.COM FOR A CURRENT LIST OF PRODUCTS APPLICABLE FOR USE WITH THIS PART.
 - COMPONENTS:
1- LEFT CABINET CAGE NUT EQUIPMENT RAIL
1- RIGHT CABINET CAGE NUT EQUIPMENT RAIL
1- HARDWARE MOUNTING KIT
 - DIMENSIONS IN PARENTHESIS ARE METRIC (mm).
 - CAN BE USED WITH ANY 19" EIA STANDARD COMPONENT IN ADDITION TO ALL PANDUIT HORIZONTAL CABLE MANAGEMENT AND PATCH PANEL PRODUCTS.
 - 45 AVAILABLE RACK SPACES.
 - EIA UNIVERSAL HOLE PROGRESSION: .625", .625", .500", .625", .625", .500"...ETC
 - RACK UNIT SPACING NUMERALS ARE CLEARLY PRINTED ON EACH RAIL.

MODEL FILENAME	V10395ZG/02.PRT
CAD FILENAME/LAYERS	V10395ZG_DC/02C.PRT
PANDUIT CORP. TINLEY PARK, ILLINOIS	
14 GA CABINET CAGE NUT EQUIPMENT RAILS (CNRC) CUSTOMER DRAWING	

REV	DATE	BY	CHK	DESCRIPTION	ECN	R	CUST	SUP	OTH
O2C	6-12-09	MDCA/LEE		C. REPLACED RAILS WITH ROTATED NUMBER RAILS	10395-33				
O1A	3-25-08	RCHA	TKW	B. 14 GA ADDED TO PART DESCRIPTION A. WEIGHT WAS 12 LBS (5.4 kg)	10395-33	TKW	PMH		
O0	7-6-06	JDWE	SJA	RELEASED TO PRODUCTION	10395-33	SJA	CTN		

UNLESS OTHERWISE SPECIFIED, DIMENSIONAL TOLERANCES ARE: INCHES X.X +/- 0.06 X.XX +/- 0.03 X.XXX +/- 0.015		[METRIC - MILLIMETER] X.X +/- 1.5 X.X +/- 0.8 X.XX +/- 0.4	ANGLE +/- 1°	UNLESS OTHERWISE SPECIFIED, ALL DIMENSIONS ARE GIVEN IN INCHES, THIRD ANGLE PROJECTION.	
DRAWN BY JDWE	MAT'L:	SEE NOTES		SCALE NONE	
DATE 7-6-06				DRAWING NO. 10395-33	DWG A SIZE
CHK'D SJA					

X-ON Electronics

Largest Supplier of Electrical and Electronic Components

Click to view similar products for [Racks & Rack Cabinet Accessories](#) category:

Click to view products by [Panduit](#) manufacturer:

Other Similar products are found below :

[M00-PLN](#) [F2424](#) [8351-832-A-24](#) [9104](#) [9105](#) [PLFF2000](#) [H-9163-B](#) [1427C3](#) [HTS10](#) [PC-79](#) [SC10-3A](#) [SC4-28](#) [CG3-340S/12](#) [CP-001BK](#)
[M6123-4007-SS](#) [AX61400TB](#) [TS170](#) [LP40](#) [5261304-07](#) [CG3-160G](#) [7112C-PLN](#) [ALUM](#) [CM10](#) [8610-3124-S-26](#) [TS81](#) [7142](#) [GP134](#)
[M6125-4007-A-24](#) [M6127-4007-SS](#) [PBCOVER](#) [512](#) [AEG-4000G](#) [AEG-3000G](#) [HD99](#) [SR2-66A2](#) [FP10B4HP-1](#) [FP52-2](#) [1406-1006-01](#)
[29478](#) [TS2535](#) [TS169-6](#) [CAC2](#) [HA19-3U](#) [BR-19-10-1](#) [TS180](#) [CG3-ESD](#) [SC11-1](#) [CFS-1.00/2.20](#) [AX6145WM](#) [HEC0800PB](#) [ZC633R](#)