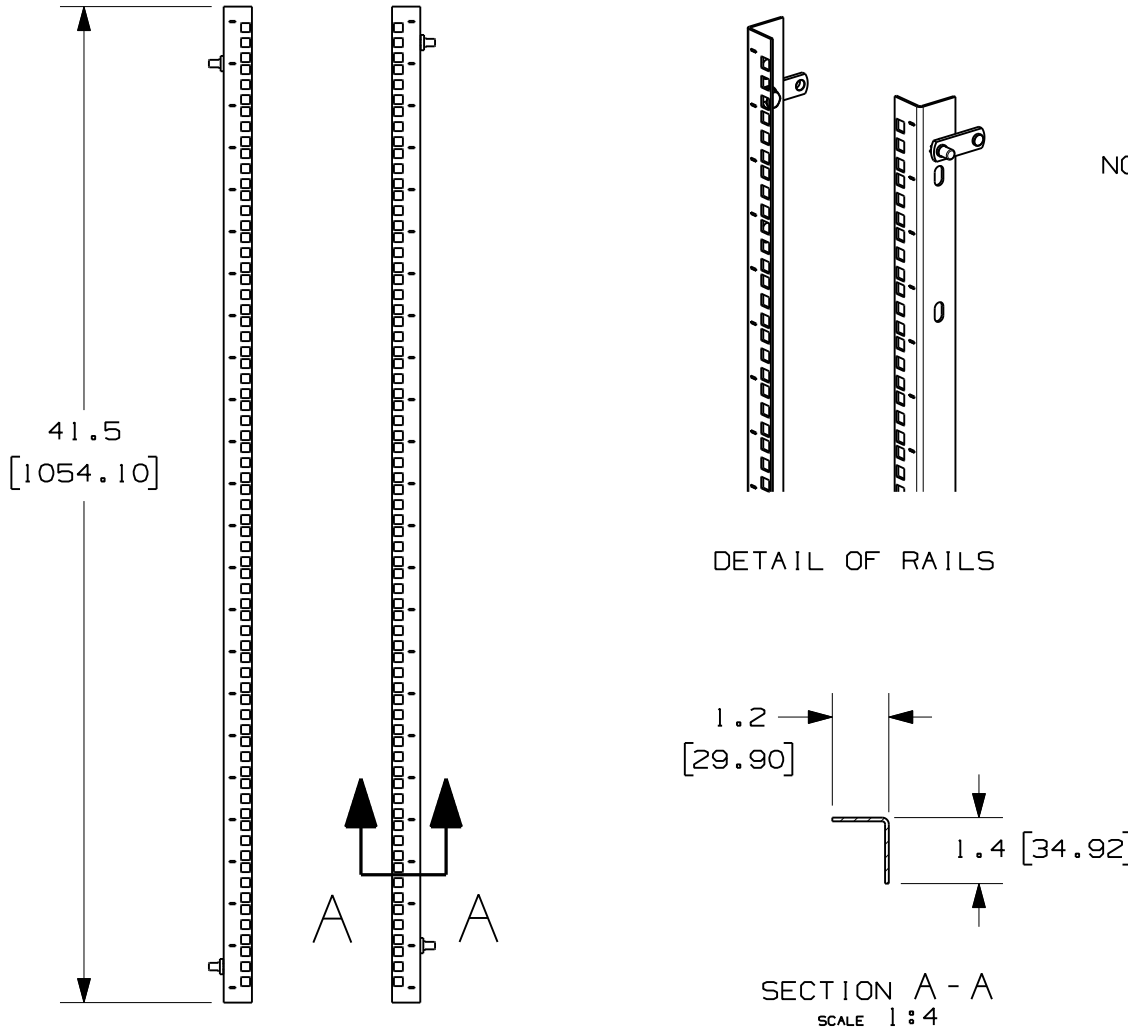


THIS COPY IS PROVIDED ON A RESTRICTED BASIS AND IS NOT TO BE USED IN ANY WAY DETRIMENTAL TO THE INTERESTS OF PANDUIT CORP.

PANDUIT P/N	WEIGHT
CNRCS	5.5 LBS/EACH 2.5 kg/EACH



NOTES:

1. VISIT OUR ON-LINE CATALOG AT WWW.PANDUIT.COM FOR A CURRENT LIST OF PRODUCTS APPLICABLE FOR USE WITH THIS PART.
2. COMPONENTS:
1- LEFT CABINET CAGE NUT EQUIPMENT RAIL
1- RIGHT CABINET CAGE NUT EQUIPMENT RAIL
1- HARDWARE MOUNTING KIT
3. DIMENSIONS IN PARENTHESIS ARE METRIC (mm).
4. CAN BE USED WITH ANY 19" EIA STANDARD COMPONENT IN ADDITION TO ALL PANDUIT HORIZONTAL CABLE MANAGEMENT AND PATCH PANEL PRODUCTS.
5. 23 AVAILABLE RACK SPACES.
6. EIA UNIVERSAL HOLE PROGRESSION: .625", .625", .500", .625", .625", .500"...ETC
7. RACK UNIT INDEX MARKS ARE CLEARLY PRINTED ON EACH RAIL.
8. FOR USE ON 42RU AND 45RU NET-ACCESS CABINETS.

MODEL FILENAME	V10647AC/02.PRT
CAD FILENAME/LAYERS	V10647AC_DC/02A.PRT
PANDUIT CORP. TINLEY PARK, ILLINOIS	
23 RU CAGE NUT EQUIPMENT RAILS (CNRCS) CUSTOMER DRAWING	

REV	DATE	BY	CHK	DESCRIPTION	ECN	R	CUST	SUP	OTH	UNLESS OTHERWISE SPECIFIED, DIMENSIONAL TOLERANCES ARE: INCHES X.X +/- 0.06 X.XX +/- 0.03 X.XXX +/- 0.015	[METRIC - MILLIMETER] X. +/- 1.5 X.X +/- 0.8 X.XX +/- 0.4	ANGLE +/- 1°	UNLESS OTHERWISE SPECIFIED, ALL DIMENSIONS ARE GIVEN IN INCHES, THIRD ANGLE PROJECTION.
O2A	9-16-11	LEE		A. MODEL REVISED	V10647AC-DC					DRAWN BY PIP	MAT'L:	SCALE NONE	
O1A	12-4-08	PIP	RMA	RELEASED TO PRODUCTION	V10647AC-DC		KRKE			DATE 12-4-08		DRAWING NO. V10647AC-DC	
										CHK'D RMA		DWG A SIZE	

X-ON Electronics

Largest Supplier of Electrical and Electronic Components

Click to view similar products for [Racks & Rack Cabinet Accessories](#) category:

Click to view products by [Panduit](#) manufacturer:

Other Similar products are found below :

[M00-PLN](#) [F2424](#) [8351-832-A-24](#) [9104](#) [9105](#) [PLFF2000](#) [H-9163-B](#) [1427C3](#) [HTS10](#) [PC-79](#) [SC10-3A](#) [SC4-28](#) [CG3-340S/12](#) [CP-001BK](#)
[M6123-4007-SS](#) [AX61400TB](#) [TS170](#) [LP40](#) [5261304-07](#) [CG3-160G](#) [7112C-PLN](#) [ALUM](#) [CM10](#) [8610-3124-S-26](#) [TS81](#) [7142](#) [GP134](#)
[M6125-4007-A-24](#) [M6127-4007-SS](#) [PBCOVER](#) [512](#) [AEG-4000G](#) [AEG-3000G](#) [HD99](#) [SR2-66A2](#) [FP10B4HP-1](#) [FP52-2](#) [1406-1006-01](#)
[29478](#) [TS2535](#) [TS169-6](#) [CAC2](#) [HA19-3U](#) [BR-19-10-1](#) [TS180](#) [CG3-ESD](#) [SC11-1](#) [CFS-1.00/2.20](#) [AX6145WM](#) [HEC0800PB](#) [ZC633R](#)