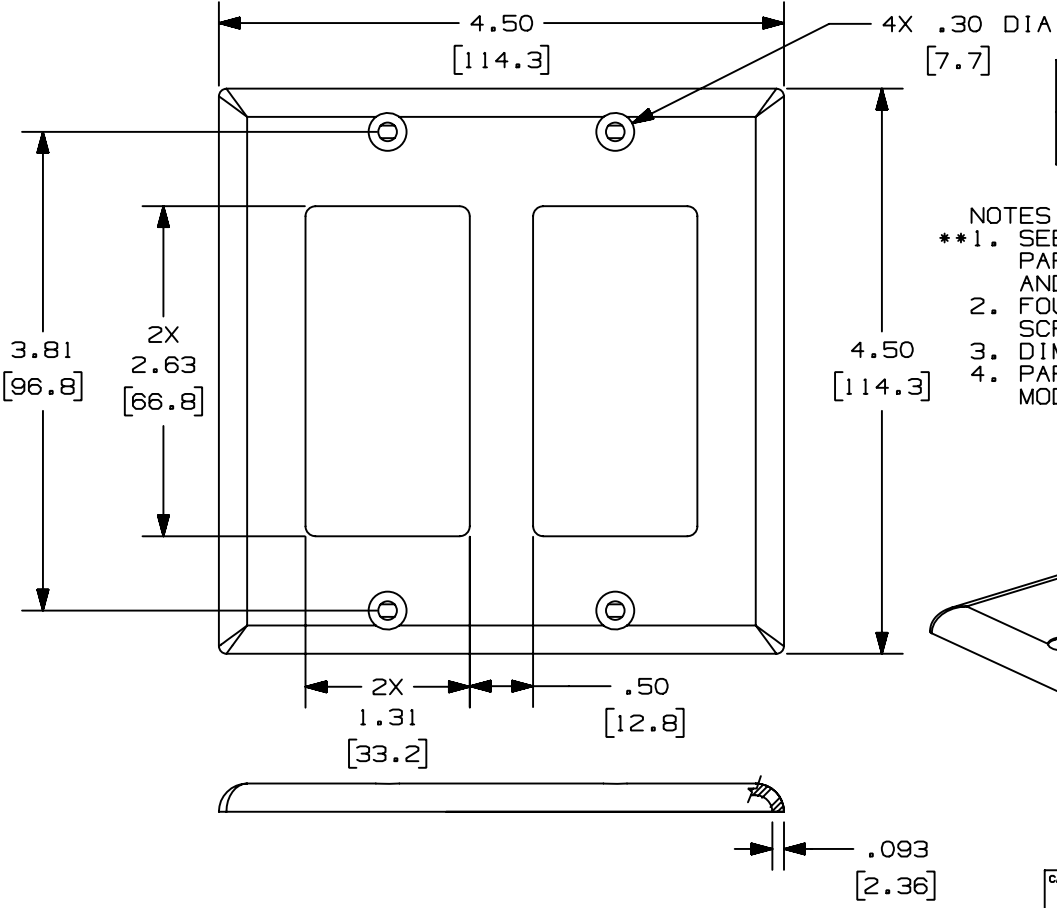
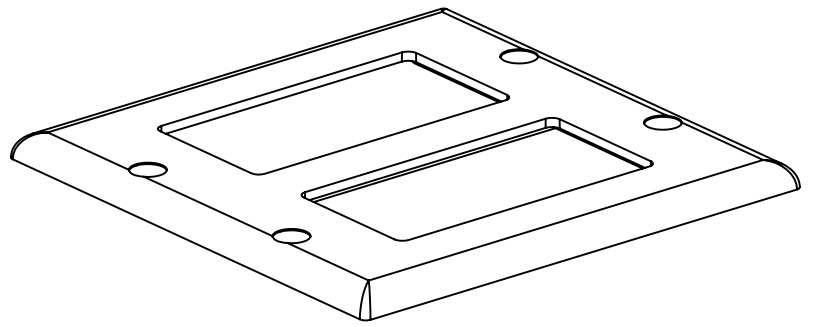


THIS COPY IS PROVIDED ON A RESTRICTED BASIS AND IS NOT TO BE USED IN ANY WAY DETRIMENTAL TO THE INTERESTS OF PANDUIT CORP.



PANDUIT P/N	WEIGHT
CPG***-2G	.494 LB/10 PCS (224.7 g/10 PCS)

- NOTES:
- **1. SEE CURRENT CATALOG FOR ADDITIONAL PART NUMBER SUFFIXES TO INDICATE COLOR AND OR PACKAGE QUANTITY.
 - 2. FOUR (4) #6-32 X 1/4" SLOTTED OVAL HEAD SCREWS ARE INCLUDED WITH THIS PART.
 - 3. DIMENSIONS IN PARENTHESES ARE IN METRIC.
 - 4. PART ACCEPTS TWO (2) OF THE 3 TYPES OF GFCI MODULE FRAMES, CFG1, CFG2, AND CFG4.



CAD FILENAME/LAYERS (9736402) M00123BA_DC_00B.PRT

PANDUIT CORP. TINLEY PARK, ILLINOIS
 CLASSIC SERIES "GFCI" DOUBLE GANG FACEPLATE (CPG***-2G)
 CUSTOMER DRAWING

UNLESS OTHERWISE SPECIFIED, DIMENSIONAL TOLERANCES ARE:
 (.X) ± (.XXX) ±.010(.3)
 (.XX) ±.03(.8) ANGLES ±

UNLESS OTHERWISE SPECIFIED, ALL DIMENSIONS ARE GIVEN IN INCHES, THIRD ANGLE PROJECTION.

REV	DATE	BY	CHK	DESCRIPTION	ECN	CHK	CUST	SUP
1	06-28-99	DW	HIW	A. REVISED TITLE NAME	00123-02	HIW	HIW	
R	08-29-97	RCA	CEF	RELEASED TO PRODUCTION	00123-02	CEF	CEF	

DRAWN BY RCA	MAT'L: ABS	SCALE NONE
DATE 08-29-97		DRAWING NO. 00123-02
CHECKED BY CEF		DWG A SIZE

X-ON Electronics

Largest Supplier of Electrical and Electronic Components

Click to view similar products for [Wire Ducting & Raceways](#) category:

Click to view products by [Panduit](#) manufacturer:

Other Similar products are found below :

[800A-LB](#) [801I-LSP](#) [802A-ECSP](#) [802I-ICSP](#) [923223-000](#) [PRAF6WH-X](#) [A0405538](#) [1301150342](#) [1301160034](#) [1301170070](#) [1301180011](#)
[1301230083](#) [1301230153](#) [1301240273](#) [1301250006](#) [1302261238](#) [1302261321](#) [1302262552](#) [1302263103](#) [1302263178](#) [1302263259](#)
[1302263816](#) [1302263860](#) [1302264375](#) [1302264390](#) [1301150343](#) [1301160030](#) [1301170050](#) [1301170051](#) [1301170061](#) [1301180013](#)
[1301230086](#) [1301230130](#) [1301240054](#) [1302260055](#) [1302260376](#) [1302261343](#) [1302261344](#) [1302262674](#) [1302263095](#) [1302263166](#)
[1302263209](#) [1302263513](#) [1302263851](#) [1302263870](#) [1302264137](#) [1302264218](#) [DD1/J](#) [AX101472](#) [AX102007](#)