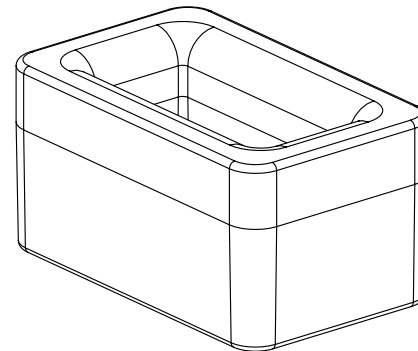
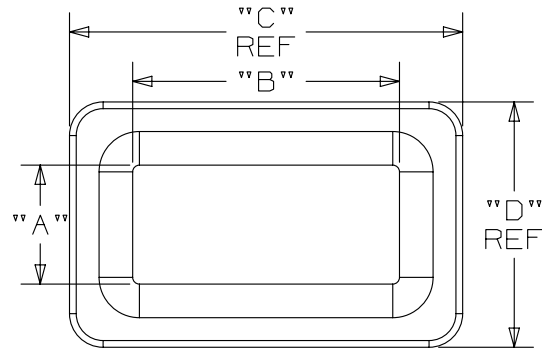


2

1

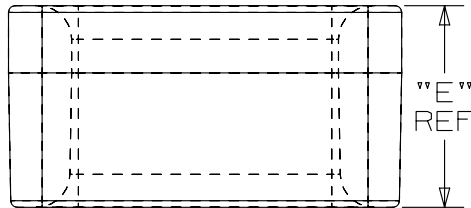
THIS COPY IS PROVIDED ON A RESTRICTED BASIS AND IS NOT TO BE USED IN ANY WAY DETRIMENTAL TO THE INTERESTS OF PANDUIT CORP.

PANDUIT PART NUMBER*	MAT'L SUFFIX	MATERIAL	DIMENSIONS					WEIGHT lbs/100 pcs (g)/100 pcs	USE WITH ANY OF THESE CABLE TIE CROSS-SECTIONS
			'A'	'B'	'C' REF	'D' REF	'E' REF		
CR2	NONE	NYLON 6/6	0.13 (3.30)	0.21 (5.33)	0.33 (8.38)	0.24 (6.09)	0.20 (5.0)	0.04 (18.1)	M, I, S
CR4H	NONE	NYLON 6/6	0.17 (4.32)	0.33 (8.38)	0.57 (14.6)	0.36 (9.1)	0.30 (7.6)	0.16 (72.6)	M, I, S, LH
	0	WEATHER RESISTANT NYLON 6/6 (BLACK)							
	30	HEAT STABILIZED NYLON 6/6 (BLACK)							



- NOTES:
- SEE www.panduit.com FOR CURRENT PART NUMBER SUFFIX DESIGNATION AND FOR PACKAGE SIZE AND PART COLOR.
 - CABLE TIE CROSS-SECTION CODE: M=MINATURE, I=INTERMEDIATE, S=STANDARD, LH=LIGHT HEAVY

DIMENSIONS IN BRACKETS ARE METRIC [mm]



REV	DATE	BY	CHK	APR	DESCRIPTION	ECN
12	5/08/13	BWG	JADE	RTF I	UPDATED NOTE 1 AND TITLE BORDER.	GB0239EB/12

TITLE CR2/CR4H - CONNECTOR RING		
CUSTOMER DRAWING		
ITEM REVISION NAME	10B015JM/00	MATERIAL: SEE TABLE
DATASET FILE NAME	10B015JM_DC/00-GB0239EB_REV12	
UNLESS OTHERWISE SPECIFIED, DIMENSIONAL TOLERANCES ARE: IN [mm]		DRAWING NUMBER: GB0239EB
.x ± 0.05 [1.3] .xxx ± .010 [.25] .xx ± .02 [0.5] ANGLES ± 5 °		
THIRD ANGLE PROJECTION		SIZE A
DRAWN BY	DATE	
MLD	8/26/96	SCALE NONE
SHT 1 OF 1		

D10100DA/15

2

1

X-ON Electronics

Largest Supplier of Electrical and Electronic Components

Click to view similar products for [Cable Tie Mounts](#) category:

Click to view products by [Panduit](#) manufacturer:

Other Similar products are found below :

[3-350087-0](#) [CTB75X75BKA-C](#) [561-EZAB580T](#) [561-EZS375B40](#) [561-TA250125](#) [08443-0](#) [10035-0](#) [561-TA00600](#) [1689174-1](#) [08445-0](#)
[10351-0](#) [561-TA250125B](#) [20015-0](#) [10350-0](#) [10029-0](#) [08484-0](#) [08446-0](#) [08318-0](#) [PAM075NY-A-C](#) [MTH1-3](#) [10044](#) [151-01802](#) [151-11319](#)
[151-11819](#) [PLWP1SB-D](#) [PLWP1M-C](#) [PLWP2SA-D](#) [PLWP2SB-D](#) [PLWP2S-C](#) [PLWP1S-D](#) [PLWP1M-D](#) [TA1S8-C](#) [ABM3H-A-L](#) [ABM3H-](#)
[AT-T0](#) [EMS-A-C0](#) [EMSK3-1-3-0](#) [10079](#) [151-10930](#) [151-10920](#) [3590](#) [151-28320](#) [151-28349](#) [151-28530](#) [151-10914](#) [151-10904](#) [151-10915](#)
[151-10916](#) [151-10906](#) [115-06960](#) [06297](#)