

REV	DATE	BY	CHK	DESCRIPTION	ECON	-	R	CUST	SUP	GMBH	SL
R	1-10-08	MSO	SL	RELEASED TO PRODUCTION	39503-17	RN	RN				1-10-08
											DATE
											CHK'D
											SL
											DRAWING NO.
											39503-17
											SIZE
											A

CAD FILENAME/LAYERS
CRTB.pdf

UNLESS OTHERWISE SPECIFIED, DIMENSIONAL TOLERANCES ARE:
(.XX) ±.03 (.8)
(.XXX) ±.005
(.XXX) ANGLES ±

UNLESS OTHERWISE SPECIFIED, ALL DIMENSIONS ARE GIVEN IN INCHES, THIRD ANGLE PROJECTION.

PANDUIT CORP TINLEY PARK, ILLINOIS

NET-ACCESS OVERHEAD CABLE ROUTING TRAPEZE BRACKET (CRTB)

CUSTOMER DRAWING

SCALE NONE

DRAWING NO. 39503-17

DRAWN BY MSO

DATE 1-10-08

CHK'D SL

REV R

DATE 1-10-08

DESCRIPTION RELEASED TO PRODUCTION

ECON 39503-17

- RN RN

CUST

SUP

GMBH

SL

DRAWING NO. 39503-17

SCALE NONE

DRAWN BY MSO

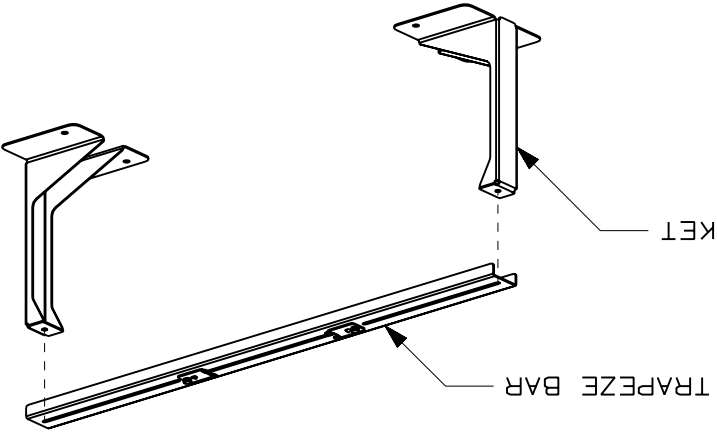
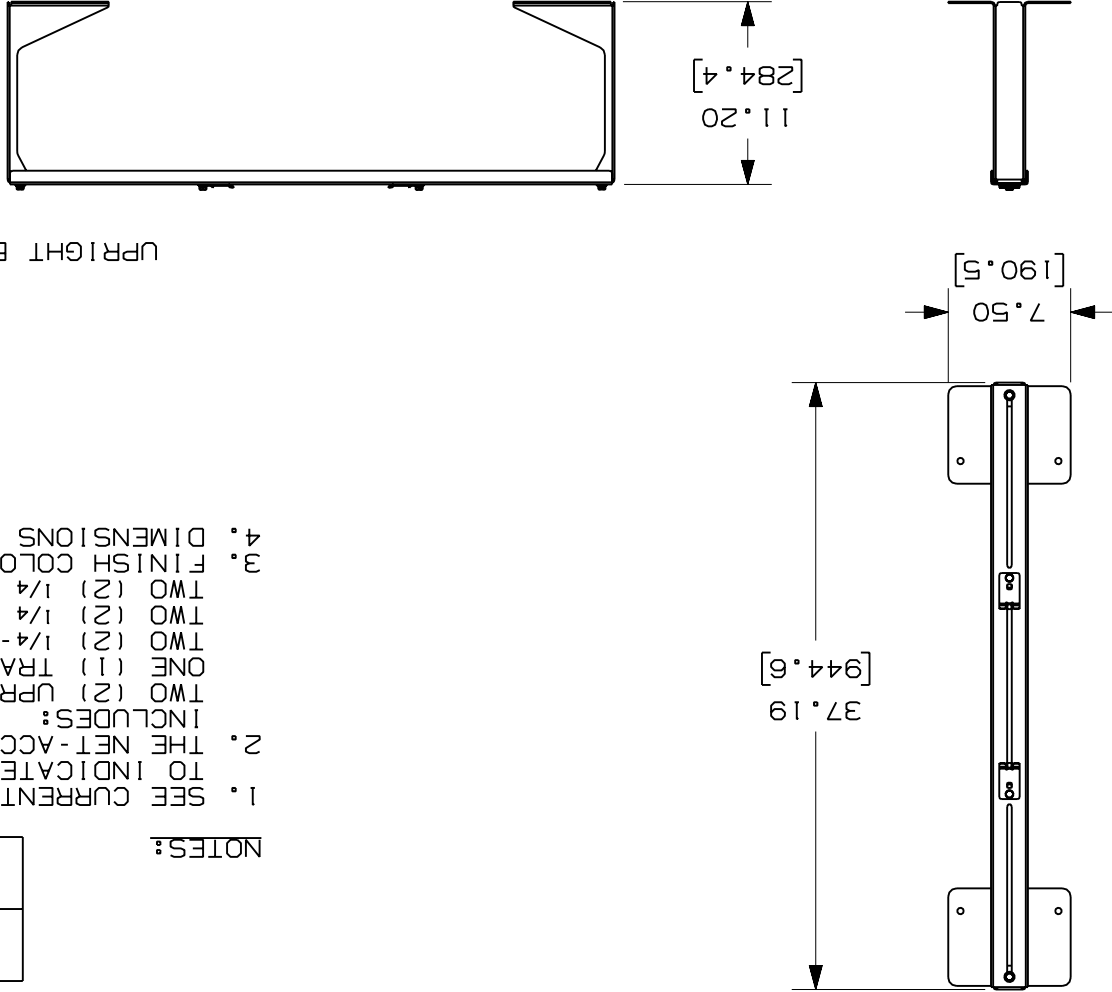
DATE 1-10-08

CHK'D SL

REV R

DATE 1-10-08

DESCRIPTION RELEASED TO PRODUCTION



1. SEE CURRENT CATALOG FOR ADDITIONAL PART SUFFIXES TO INDICATE PACKAGE QUANTITY.
2. THE NET-ACCESS OVERHEAD CABLE ROUTING TRAPEZE BRACKET INCLUDES:
- TWO (2) UPRIGHT BRACKET ASSEMBLIES,
 - ONE (1) TRAPEZE BAR ASSEMBLY,
 - TWO (2) 1/4-20x5/8 HEX HEAD CAP SCREWS,
 - TWO (2) 1/4 HELICAL SPRING LOCKWASHERS,
 - TWO (2) 1/4 SAE FLAT WASHERS
3. FINISH COLOR: BLACK (EXCEPT FOR HARDWARE)
4. DIMENSIONS IN PARENTHESES ARE IN METRIC.

PANDUIT PART NUMBER	CRTB
WEIGHT	7.57 LB/EA (3431g/EA)

NOTES:

ENG. REF.: D39503CN_LDC/00 CRTB

X-ON Electronics

Largest Supplier of Electrical and Electronic Components

Click to view similar products for [Racks & Rack Cabinet Accessories](#) category:

Click to view products by [Panduit](#) manufacturer:

Other Similar products are found below :

[CR-1727](#) [M00-PLN](#) [F2420](#) [F2424](#) [8310-1032-SS](#) [9104](#) [PLFF2000](#) [PLFF6000](#) [GP216](#) [PTFA60000LG](#) [H-9163-B](#) [HEH050BA](#) [1427C3](#)
[BAS-5104](#) [N-700-2](#) [190-002](#) [HTL10](#) [HTS10](#) [PC-118](#) [PC-780L](#) [PC-79](#) [PC-800](#) [SC4-28](#) [F3024](#) [AKWAMT](#) [PLFF1000](#) [GRPB12PG](#) [CG3-](#)
[340S/12](#) [2CWDP36](#) [2CWDP48](#) [2SSHINGE](#) [CP-001BK](#) [CPL19431LG1](#) [R570-004-107](#) [M6123-4007-SS](#) [TS170](#) [531300535](#) [BRX-12290](#)
[C4BD3077SBK1](#) [UPS 7-17-14 PLAIN](#) [LP40](#) [5261304-07](#) [CCA26-44-01](#) [706-102](#) [CG3-160G](#) [7112C-PLN ALUM](#) [CM10](#) [TS81](#) [7142](#)
[GP134](#)