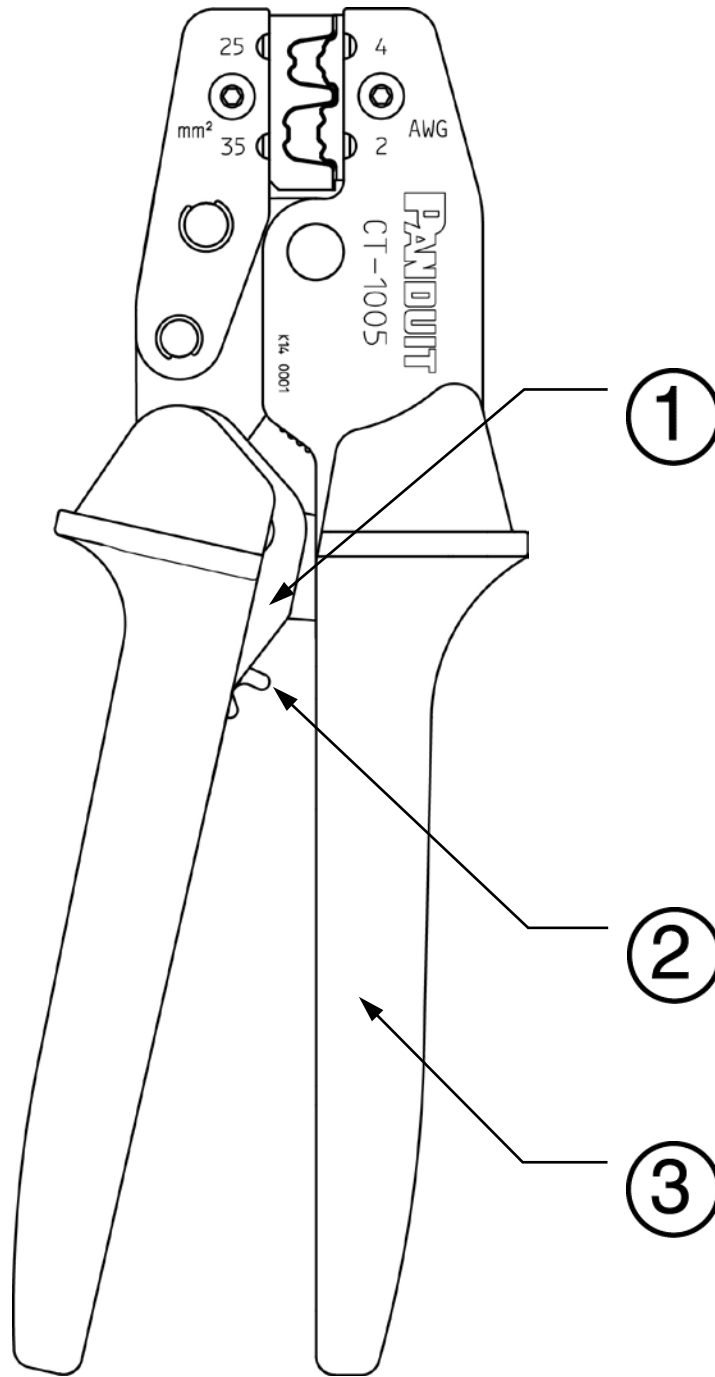


THIS COPY IS PROVIDED ON A RESTRICTED BASIS AND IS NOT TO BE USED IN ANY WAY DETRIMENTAL TO THE INTERESTS OF PANDUIT CORP.



**CT-1005 TOOL SHOWN**

TOOL	WEIGHT	LENGTH	CLOSED HANDLE WIDTH
CT-1005	10.6 oz. (300 gr.)	8.56 (217.4)	2.91 (73.9)
CT-1006		8.56 (217.4)	2.91 (73.9)

CT-1005	"G" Dia (GO)	"NG" Dia. (NO GO)
2 AWG	.176" (4,47mm)	.182" (4,62mm)
4 AWG	.135" (3,43mm)	.142" (3,61mm)

CT-1006	"G" Dia (GO)	"NG" Dia. (NO GO)
1 AWG	.215" (5,46mm)	.222" (5,64mm)

**NOTES, UNLESS OTHERWISE SPECIFIED:**

Panduit Tool Number:  
**CT-1005** used to install single and dual wire, Panduit insulated and non-insulated loose piece ferrules.

Crimps the following types:

- FTD type: #2 x 6 AWG – #2 x 8 AWG  
 [2.0 X 10.0 mm<sup>2</sup> – 2.0 x 16.0 mm<sup>2</sup>] dual wire insulated ferrules
- FSD type: #4 AWG – 2 AWG  
 [25.0 mm<sup>2</sup> – 35.0 mm<sup>2</sup>] single wire insulated ferrules
- F type: #4 AWG – 2 AWG  
 [25.0 mm<sup>2</sup> – 35.0 mm<sup>2</sup>] single wire non-insulated ferrules

**CT-1006** used to install single wire, Panduit insulated and non-insulated loose piece ferrules.

Crimps the following types:

- FSD type: #1 AWG [50.0mm<sup>2</sup>] single wire insulated ferrules (DIN)
- F type: #1 AWG [50.0mm<sup>2</sup>] single wire non-insulated ferrules

**TOOL FEATURES INCLUDE:**

1. Controlled cycle mechanism prevents tool from opening before crimp cycle is complete.
2. Manual release lever, push forward in the event that controlled cycle mechanism must be released.
3. Resilient grips to prevent operator fatigue.



**NOTE:** The grips are **NOT** intended to insulate against electrical shock.

DIMENSIONS SHOWN IN PARENTHESES ARE MILLIMETERS AND ARE FOR REFERENCE ONLY.

REV	DATE	BY	CHK	APR	DESCRIPTION	ECN	DRAWN BY:	DATE:	CHK	SCALE	SHT 1 OF 1	SIZE
01	8-02-16	BLR	BJPU	JADE	ADD GO-NO/GO CHARTS	10067	BLR	5-06-15	BJPU	NONE		B
00	5-06-15	BLR	BJPU	ABJ	RELEASED	4857						

<b>CT-1005 and CT-1006</b>						
CUSTOMER DRAWING						
ITEM REVISION NAME:						<b>PANDUIT</b>
<b>TP27652B01_00</b>						
UNLESS OTHERWISE SPECIFIED, DIMENSIONAL TOLERANCES ARE:						MATERIAL:
(.x) ± --- (.xxx) ± .015						-----
(.xx) ± .03 ANGLES ± 1°						DRAWING NUMBER:
THIRD ANGLE PROJECTION						TP27652B01

## X-ON Electronics

Largest Supplier of Electrical and Electronic Components

*Click to view similar products for [Crimpers / Crimping Tools](#) category:*

*Click to view products by [Panduit](#) manufacturer:*

Other Similar products are found below :

[010-0096](#) [M225202-37](#) [6-1579015-5](#) [CT150-2-D02](#) [622-6441LF](#) [M322](#) [6-304052-1](#) [63456-0054](#) [63484-3701](#) [63800-8355](#) [63819-1875](#)  
[63819-2875](#) [63819-4475](#) [63823-3475](#) [63827-5375](#) [64001-0975](#) [64001-4175](#) [64005-0175](#) [662903-2](#) [690602-6](#) [7-1579001-9](#) [7-23471-1](#)  
[762637-1](#) [808714-1](#) [811242-5](#) [999-50-020083](#) [1-21002-3](#) [1-21002-7](#) [12085270](#) [1-21002-6](#) [1-21113-6](#) [1-22548-4](#) [125442-1](#)  
[DCE.91.073.BVC](#) [DCE.91.090.3MVM](#) [DCE.91.130.5MVU](#) [DCE.91.202.BVCM](#) [1338300-1](#) [1-354003-0](#) [1338301-1](#) [DF62/RE-MD](#) [142321](#)  
[1456088-1](#) [1490794-1](#) [1-45804-6](#) [1490357-2](#) [1490357-3](#) [AX100749](#) [1-59619-7](#) [1596970-1](#)