

NOTES, UNLESS OTHERWISE SPECIFIED:

The CT-1250 Hand Operated Mechanical Crimping Tools are designed to crimp:

- Panduit Copper compression connectors to copper code wire
- Integral dies available for sizes #1 AWG through 250 kcmil
- UL approved connector sizes #1, 1/0, 2/0, and 4/0 AWG

Go to www.panduit.com for additional information.

The CT-1250 Tool includes:

QTY	ITEM DESCRIPTION
1	CT-1250 MANUAL CRIMPING TOOL
1	CARDBOARD SHIPPING BOX
1	USER INSTRUCTION MANUAL

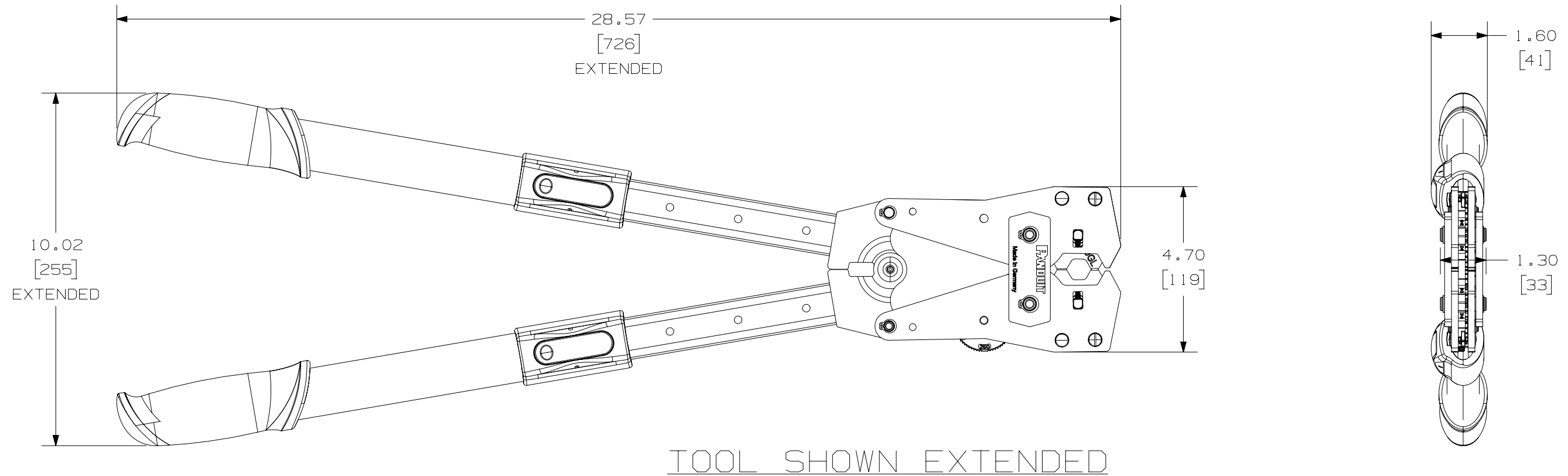
Technical information



WEIGHT	5.6 LBS [2.53 kg]
LENGTH	28.57" (729 mm) Ext., 26.44" (672 mm) Ret.
WIDTH	10.02" [255 mm] Ext., 8.25" [210 mm] Ret.
HEIGHT	1.60" [41 mm]



Copy of the operator manual can be found at www.panduit.com

Dimensions in [brackets] are in metric. All dimensions are for reference only.

 Tool is RoHS compliant per European Directive 2002/95/EC on the Restriction of Hazardous Substances (RoHS)



REV	DATE	BY	CHK	APR	DESCRIPTION	ECN
01	2/26/21	RUMO	BJP	ALP	 ADDED "UL APPROVED CONNECTOR SIZES #1, 1/0, 2/0, and 4/0 AWG" NOTE  ADDED RoHS NOTE	098562
00	4/29/20	RUMO	ACC	RGB	INITIAL RELEASE	077203

TITLE		CT-1250 MANUAL CRIMPING TOOL	
ITEM REVISION NAME		CUSTOMER DRAWING	
DATASET FILE NAME		00626NAB/01	
		00626NAB_DC/01	
UNLESS OTHERWISE SPECIFIED, DIMENSIONAL TOLERANCES ARE: IN [mm]			
.x ± .1 [2.54] .xxx ± .005 [.127]		MATERIAL:	
.xx ± .01 [.25] ANGLES ± 5 °		MULTIPLE MATERIALS	
		DRAWING NUMBER:	
THIRD ANGLE PROJECTION		00626NAB_DC	
DRAWN BY	DATE	CHK	SCALE
RUMO	4/29/20	ACC	5:16
SHT 1 OF 1			SIZE
			B

X-ON Electronics

Largest Supplier of Electrical and Electronic Components

Click to view similar products for [Crimpers / Crimping Tools](#) category:

Click to view products by [Panduit](#) manufacturer:

Other Similar products are found below :

[010-0096](#) [CT150-2-D02](#) [CT150-6-RH07](#) [622-6441LF](#) [63484-3701](#) [63800-8355](#) [63819-1875](#) [63819-2875](#) [63819-4475](#) [63827-5375](#) [64005-0175](#) [662903-2](#) [690602-6](#) [7-23471-1](#) [734611-1](#) [762637-1](#) [811242-5](#) [91362-1](#) [1-21002-3](#) [1-21002-7](#) [12118040](#) [12085270](#) [12387119-6](#) [1-22548-4](#) [125442-1](#) [DCE.91.073.BVC](#) [DCE.91.090.3MVM](#) [DCE.91.162.BVCM](#) [DCE.91.202.BVCM](#) [1310G2](#) [1333249-1](#) [1-354003-0](#) [1338301-1](#) [DF62/RE-MD](#) [142321](#) [AP105-DF11-2428S\(64\)](#) [1456088-1](#) [1-45804-6](#) [15397700](#) [AX100749](#) [1-59619-7](#) [1596970-1](#) [1-59619-8](#) [1901238-2](#) [2119581-1](#) [K761](#) [KTH-1079](#) [KTH-2022](#) [KTH-2260](#) [904139-1](#)