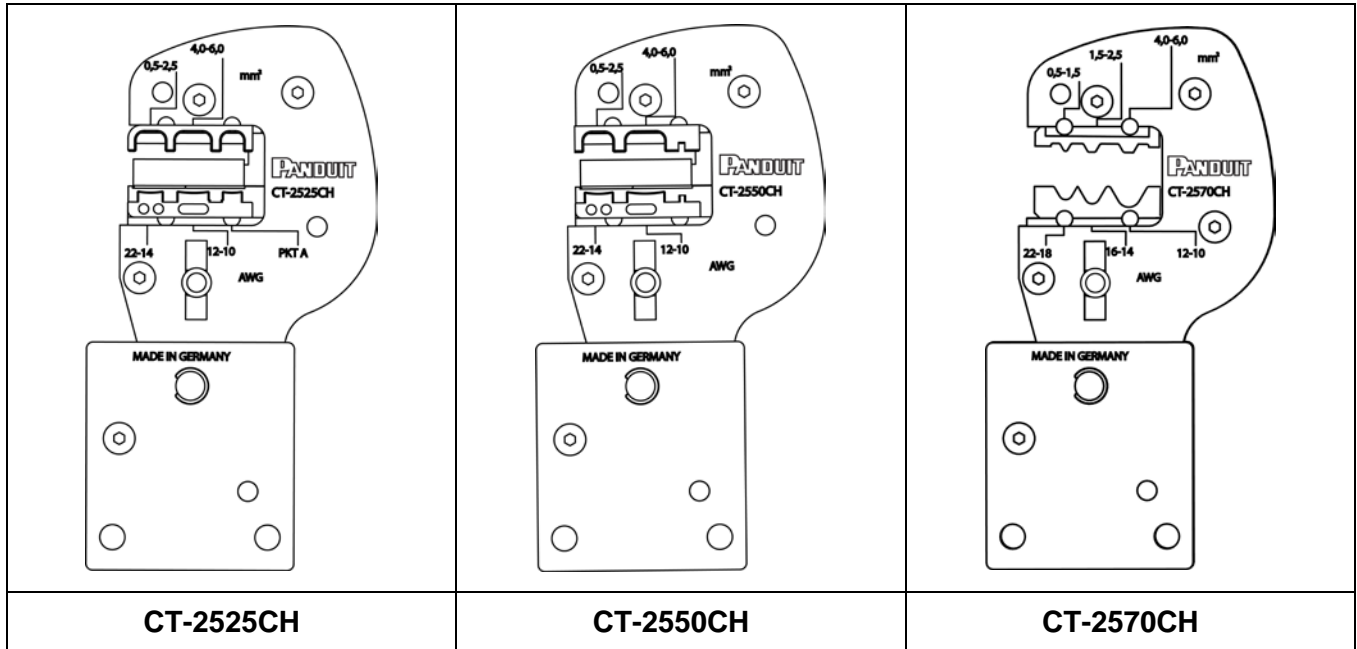


CRIMPING HEADS USED WITH THE CT-2500, CT-2500/E; or CT-2500/L, CT-2500/LE TOOLS

© Panduit Corp. 2019



CT-2525CH	Crimping head for installing the following Panduit products: #26 – #22 AWG (0,14 – 0,5 mm ²) insulated terminals and splices, #22 – #10 AWG (0,5 – 6,0 mm ²) fully insulated disconnects, insulated parallel splices; and specific #22 – #14 AWG (0,5 – 2,5 mm ²) barrel insulated disconnects.
CT-2550CH	Crimping head for installing the following Panduit products: #22 – #10 AWG (0,5 – 6,0 mm ²) insulated terminals and splices; and specific insulated disconnects. Reduced crimp effort advantage for #12 – #10 AWG (4,0 – 6,0mm ²) terminations.
CT-2570CH	Crimping head for installing most of the following Panduit products: #22 – #10 AWG (0,5 – 6,0 mm ²) non-insulated terminals, disconnects; and specific non-insulated splices.

CRIMPING HEAD INSTALLATION

(See Page 2)

Monthly Maintenance

1. Thoroughly clean all surfaces.
2. Oil the locating pins.

NOTE: *In the interest of higher quality and value, we are constantly improving and updating our products. Consequently, pictures in this manual may sometimes vary from the product enclosed.*

E-mail:
techsupport@panduit.com

EU Website:
www.panduit.com/emea

EU Email:
emeatoolservicecenter
@panduit.com

PANDUIT
www.panduit.com

Technical Support:
1-800-777-3300

Panduit Europe
EMEA Service Center
Almelo, Netherlands
Tel: +31-546-580-452
Fax: +31-546-580-441

CRIMPING HEAD INSTALLATION

1. Rotate crimping head adapter fully -- clockwise (see Figure 1).
2. Press retract slide to lower piston completely.
3. Pull out the pins for mounting a different crimping head on the adapter.
4. Before installing a different crimping head, slide the crimp dies to the full open position. Lock the head with the locating pins (see Figure 2), paying attention that the pins are locked securely before starting.
5. The crimping cycle is terminated when the dies are completely closed and the maximum crimping force is reached, which is indicated by the auto retraction of the piston.

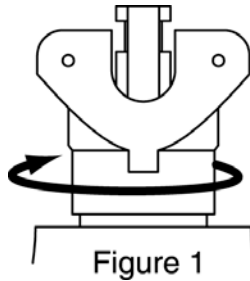


Figure 1

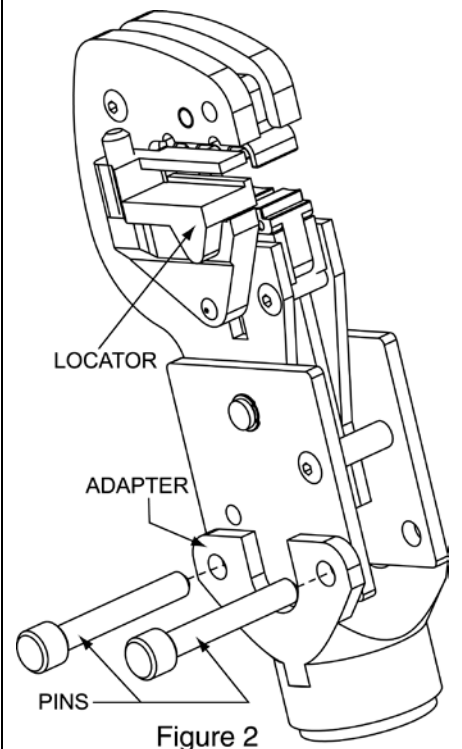
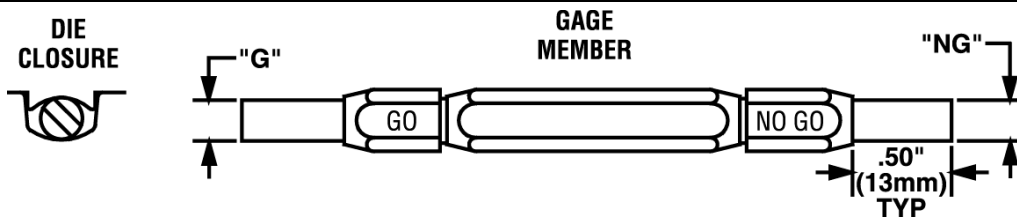


Figure 2

Refer to the CT-2500, CT-2500/E (PA25346A01); or CT-2500/L, CT-2500/LE (PA28113A01) Operation Manual for complete tool and crimping head instructions.



ATTENTION: The crimping process can be interrupted at any time by releasing the trigger. After having terminated the crimping process and prior to changing the heads, remove battery to avoid unintended starts.



DIE CLOSURE GO / NO GO GAGE MEMBERS – CT-2525CH

CRIMP POCKET AWG / mm ²	ENGLISH GO / NO GO GAGE MEMBERS		METRIC GO / NO GO GAGE MEMBERS	
	"G" Dia. (GO)	"NG" Dia. (NO GO)	"G" Dia. (GO)	"NG" Dia. (NO GO)
Pocket "A"	.0835"	.091"	2,12 mm	2,31 mm
22 – 14 / 0,5 – 2,5	.0765"	.084"	1,94 mm	2,13 mm
12 – 10 / 4,0 – 6,0	.1005"	.108"	2,55 mm	2,74 mm

DIE CLOSURE GO / NO GO GAGE MEMBERS – CT-2550CH

CRIMP POCKET AWG / mm ²	ENGLISH GO / NO GO GAGE MEMBERS		METRIC GO / NO GO GAGE MEMBERS	
	"G" Dia. (GO)	"NG" Dia. (NO GO)	"G" Dia. (GO)	"NG" Dia. (NO GO)
22 – 14 / 0,5 – 2,5	.1015"	.108"	2,57 mm	2,74 mm
12 – 10 / 4,0 – 6,0	.1475"	.154"	3,74 mm	3,91 mm

DIE CLOSURE GO / NO GO GAGE MEMBERS – CT-2570CH

CRIMP POCKET AWG / mm ²	ENGLISH GO / NO GO GAGE MEMBERS		METRIC GO / NO GO GAGE MEMBERS	
	"G" Dia. (GO)	"NG" Dia. (NO GO)	"G" Dia. (GO)	"NG" Dia. (NO GO)
22 – 18 / 0,5 – 1,5	.0515"	.060"	1,31 mm	1,53 mm
16 – 14 / 1,5 – 2,5	.0735"	.082"	1,87 mm	2,09 mm
12 – 10 / 4,0 – 6,0	.0995"	.108"	2,53 mm	2,75 mm

X-ON Electronics

Largest Supplier of Electrical and Electronic Components

Click to view similar products for [Crimpers / Crimping Tools](#) category:

Click to view products by [Panduit](#) manufacturer:

Other Similar products are found below :

[010-0096](#) [M225202-37](#) [6-1579015-5](#) [CT150-2-D02](#) [622-6441LF](#) [M322](#) [6-304052-1](#) [63456-0054](#) [63484-3701](#) [63800-8355](#) [63819-1875](#)
[63819-2875](#) [63819-4475](#) [63823-3475](#) [63827-5375](#) [64001-0975](#) [64001-4175](#) [64005-0175](#) [662903-2](#) [690602-6](#) [7-1579001-9](#) [7-23471-1](#)
[762637-1](#) [808714-1](#) [811242-5](#) [999-50-020083](#) [1-21002-3](#) [1-21002-7](#) [12085270](#) [1-21002-6](#) [1-21113-6](#) [1-22548-4](#) [125442-1](#)
[DCE.91.073.BVC](#) [DCE.91.090.3MVM](#) [DCE.91.130.5MVU](#) [DCE.91.202.BVCM](#) [1338300-1](#) [1-354003-0](#) [1338301-1](#) [DF62/RE-MD](#) [142321](#)
[1456088-1](#) [1490794-1](#) [1-45804-6](#) [1490357-2](#) [1490357-3](#) [AX100749](#) [1-59619-7](#) [1596970-1](#)