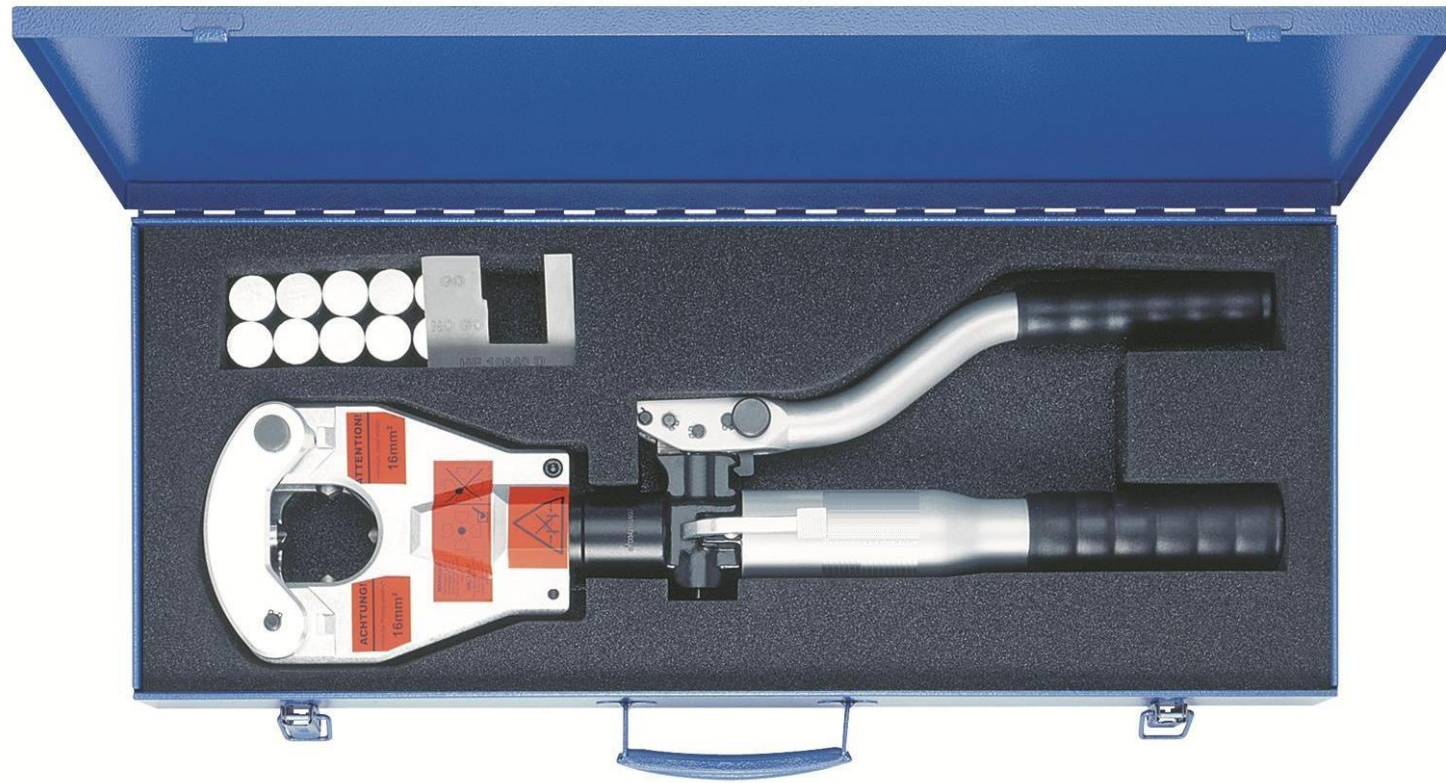


THIS COPY IS PROVIDED ON A RESTRICTED BASIS AND IS NOT TO BE USED IN ANY WAY DETRIMENTAL TO THE INTERESTS OF PANDUIT CORP.



**NOTES, UNLESS OTHERWISE SPECIFIED:**

The CT-980 Hand Operated Die-less Hydraulic Crimping Tool is designed to crimp:

- Crimps Panduit Copper and Aluminum compression connectors. Go to [www.panduit.com](http://www.panduit.com) for more information.

**The CT-980 Tool includes:**

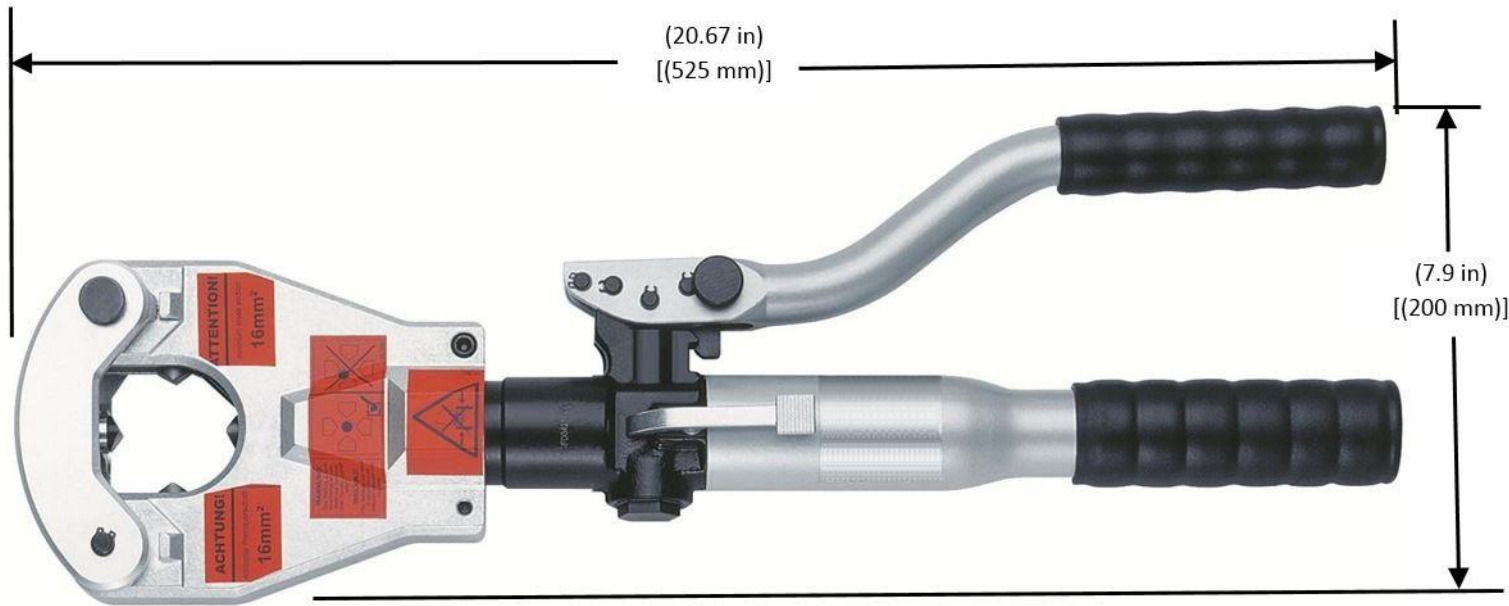
Qty.	Description / Item
1	Hand Operated Hydraulic Crimp Tool
1	Steel Tool Case
1	Cylinder Block and Gage Package

**Technical Information:**

Tool Weight	9.1 lbs. (4.1 kg)
Dimensions	20.7" L x 7.9" H x 2.9" W [525 L x 200 H x 74 W] mm
Crimping Force	6.2 tons (55 kN)

Copy of the operation manual and accessory information can be found at: [www.panduit.com](http://www.panduit.com).

Dimensions in [brackets] are in millimeters. All dimensions are for reference only.



CT-980  
CRIMP TOOL

REV	DATE	BY	CHK	APR	DESCRIPTION	ECN	CT-980					
							CUSTOMER DRAWING					
							ITEM REVISION NAME: 00084SLR_DC/00		<b>PANDUIT</b>			
							UNLESS OTHERWISE SPECIFIED, DIMENSIONAL TOLERANCES ARE: (.x) ± --- (.xxx) ± --- (.xx) ± --- ANGLES ± ---					
							THIRD ANGLE PROJECTION		MATERIAL: -----			
00	7-29-16	BKA	ACC	JADE	DRAWING RELEASED	010062	DRAWN BY: BKA		DATE: 7-21-16	CHK ACC	SCALE NONE	DRAWING NUMBER: 00084SLR_DC
							SHT 1 OF 1		SIZE B			

## X-ON Electronics

Largest Supplier of Electrical and Electronic Components

*Click to view similar products for [Crimpers / Crimping Tools](#) category:*

*Click to view products by [Panduit](#) manufacturer:*

Other Similar products are found below :

[010-0096](#) [M225202-37](#) [6-1579015-5](#) [CT150-2-D02](#) [622-6441LF](#) [M322](#) [6-304052-1](#) [63456-0054](#) [63484-3701](#) [63800-8355](#) [63819-1875](#)  
[63819-2875](#) [63819-4475](#) [63823-3475](#) [63827-5375](#) [64001-0975](#) [64001-4175](#) [64005-0175](#) [662903-2](#) [690602-6](#) [7-1579001-9](#) [7-23471-1](#)  
[762637-1](#) [808714-1](#) [811242-5](#) [999-50-020083](#) [1-21002-3](#) [1-21002-7](#) [12085270](#) [1-21002-6](#) [1-21113-6](#) [1-22548-4](#) [125442-1](#)  
[DCE.91.073.BVC](#) [DCE.91.090.3MVM](#) [DCE.91.130.5MVU](#) [DCE.91.202.BVCM](#) [1338300-1](#) [1-354003-0](#) [1338301-1](#) [DF62/RE-MD](#) [142321](#)  
[1456088-1](#) [1490794-1](#) [1-45804-6](#) [1490357-2](#) [1490357-3](#) [AX100749](#) [1-59619-7](#) [1596970-1](#)