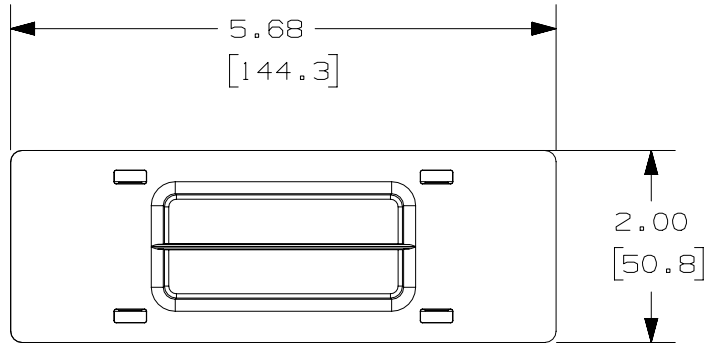


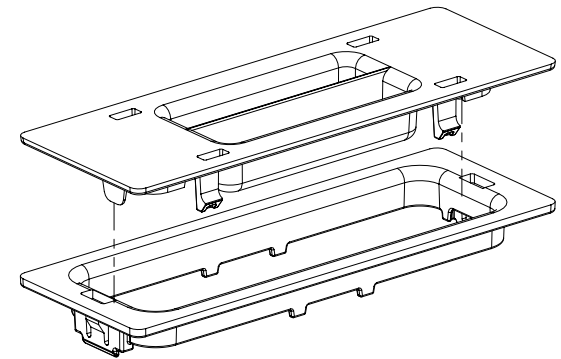
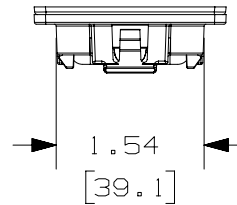
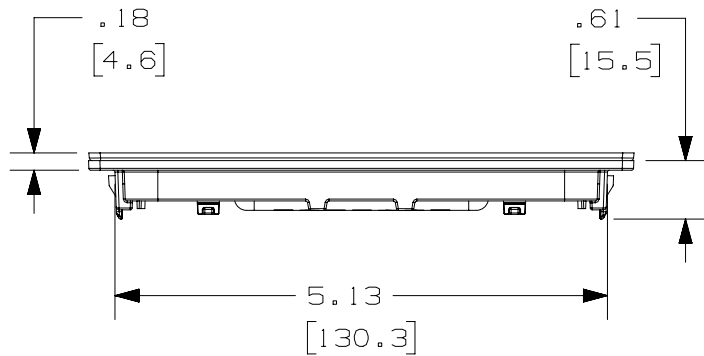
THIS COPY IS PROVIDED ON A RESTRICTED BASIS AND IS NOT TO BE USED IN ANY WAY DETRIMENTAL TO THE INTERESTS OF PANDUIT CORP.

PANDUIT PART NUMBER	WEIGHT
CTCN1X5	33.8 G / EACH .075 LBS / EACH



**NOTES:**

- PANDUIT PART NUMBER CTCN1X5 INCLUDES:  
ONE (1) CABINET TOP COVER.  
ONE (1) CABLE PROTECTION BEZEL.
- FOR USE WITH CABINET 2.0 NET-ACCESS CABINETS.
- USED TO SEAL OFF 1" X 5" CABINET OPENINGS AFTER KNOCK-OUTS HAVE BEEN REMOVED. CAN ALSO BE USED TO ADD THE CTGN1X5 TO OPENINGS WHERE KNOCK-OUTS HAVE BEEN REMOVED.
- DIMENSIONS IN PARENTEHESES ARE METRIC.
- WITH CABINET TOP COVER REMOVED, CABLE PROTECTION BEZEL OPENING IS 1.35 X 4.75 (15.63 in<sup>2</sup>).



C

REV	DATE	BY	CHK	APR	DESCRIPTION	ECN
3	5-06-16	MES	DWR		GEOMETRY UPDATE	V09000UR/01
2	03-08-13	SSP	DWR	RN	RELEASED TO PRODUCTION C. REMOVED PRIOR NOTE(S)	12D287AA-DC

TITLE						
<b>1.5" X 5" CABINET TOP COVER AND CABLE PROTECTION BEZEL (CTCN1X5)</b>						
CUSTOMER DRAWING						
ITEM REVISION NAME					12D287AA/05	
DATASET FILE NAME					12D287AA_DC/05B CTCN1X5	
UNLESS OTHERWISE SPECIFIED, DIMENSIONAL TOLERANCES ARE: IN (mm)					<b>PANDUIT</b> <sup>TM</sup> MATERIAL: ABS	
.X ± .XX ± .03 [ .8 ] .XXX ± ANGLS ±						
THIRD ANGLE PROJECTION					DRAWING NUMBER: 12D287AA-DC	
DRAWN BY	DATE	CHK	SCALE	SHT 1 OF 1		
SSP	08-21-12	DWR	NONE	A		

2

1

D10100DA/12

## X-ON Electronics

Largest Supplier of Electrical and Electronic Components

*Click to view similar products for [Racks & Rack Cabinet Accessories](#) category:*

*Click to view products by [Panduit](#) manufacturer:*

Other Similar products are found below :

[M00-PLN](#) [F2424](#) [8351-832-A-24](#) [9104](#) [9105](#) [PLFF2000](#) [H-9163-B](#) [1427C3](#) [HTS10](#) [PC-79](#) [SC10-3A](#) [SC4-28](#) [CG3-340S/12](#) [CP-001BK](#)  
[M6123-4007-SS](#) [AX61400TB](#) [TS170](#) [LP40](#) [5261304-07](#) [CG3-160G](#) [7112C-PLN](#) [ALUM](#) [CM10](#) [8610-3124-S-26](#) [TS81](#) [7142](#) [GP134](#)  
[M6125-4007-A-24](#) [M6127-4007-SS](#) [PBCOVER](#) [512](#) [AEG-4000G](#) [AEG-3000G](#) [HD99](#) [SR2-66A2](#) [FP10B4HP-1](#) [FP52-2](#) [1406-1006-01](#)  
[29478](#) [TS2535](#) [TS169-6](#) [CAC2](#) [HA19-3U](#) [BR-19-10-1](#) [TS180](#) [CG3-ESD](#) [SC11-1](#) [CFS-1.00/2.20](#) [AX6145WM](#) [HEC0800PB](#) [ZC633R](#)