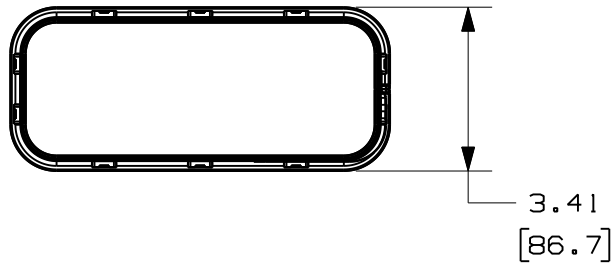


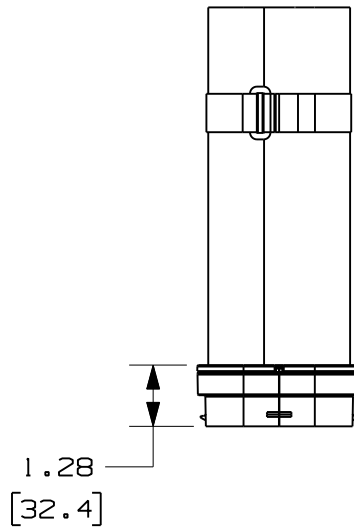
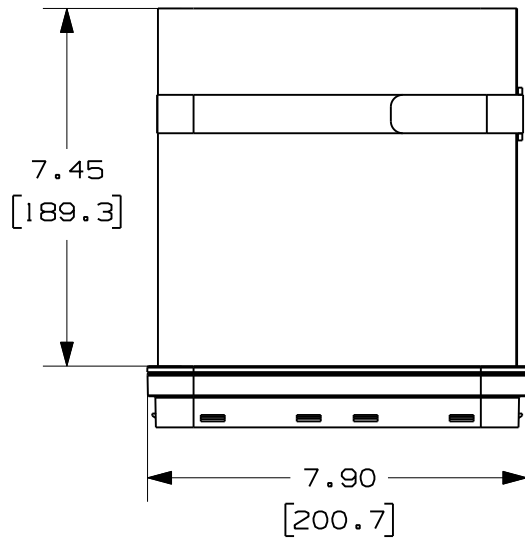
THIS COPY IS PROVIDED ON A RESTRICTED BASIS AND IS NOT TO BE USED IN ANY WAY DETRIMENTAL TO THE INTERESTS OF PANDUIT CORP.

PANDUIT PART NUMBER	WEIGHT
CTG3X8	.20 LBS/EACH 90.7 GRAMS/EACH



NOTES:

1. FOR USE WITH BOTH Net-SERV AND Net-Access CABINETS
2. USED TO SEAL OFF 3" X 8" CABINET TOP OPENINGS WHEN CABLES ARE ROUTED THROUGH THE TOP OF THE CABINET.
3. FINISH COLOR: BLACK
4. DIMENSION IN PARENTHESES ARE IN METRIC

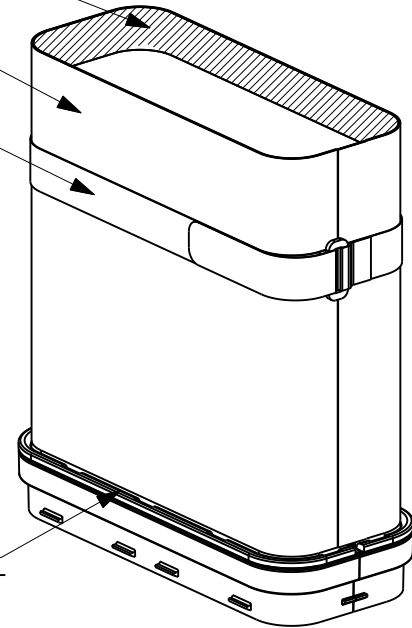


HOOK AND LOOP SEALING STRIP

AIRTIGHT FABRIC SLEEVE

ULTRA CINCH TIE

SNAP-IN BEZEL
(FOR 3" X 8" CABINET TOP OPENING)



CAD FILENAME/LAYERS 09D043AK_DC/00A CTG3X8

PANDUIT CORP. TINLEY PARK, ILLINOIS

COOL BOOT CABINET TOP
AIR SEALING FITTING (CTG3X8)
CUSTOMER DRAWING

UNLESS OTHERWISE SPECIFIED,
DIMENSIONAL TOLERANCES ARE:
(.X) ± .03 (.XXX) ± .05
(.XX) ± .03 (.8) ANGLES ±

UNLESS OTHERWISE SPECIFIED,
ALL DIMENSIONS ARE GIVEN
IN INCHES, THIRD ANGLE PROJECTION.

DRAWN BY JAHA

MAT'L:

SCALE NONE

R 1-26-10 JAHA SL RELEASED TO PRODUCTION

09D043AK-DC RN RN

DATE 01/26/10

SEE NOTE ABOVE

DRAWING NO.

REV DATE BY CHK DESCRIPTION

ECN - R CUST SUP

CHK'D SL

09D043AK-DC

DWG
A
SIZE

X-ON Electronics

Largest Supplier of Electrical and Electronic Components

Click to view similar products for [Hand Tools](#) category:

Click to view products by [Panduit](#) manufacturer:

Other Similar products are found below :

[568681-1](#) [576786-2](#) [58061-1](#) [58176-1](#) [58177-1](#) [58177-2](#) [58284-1](#) [59085](#) [0031](#) [59737-5](#) [015-0339-000](#) [015-8755-001](#) [600-146-06](#) [M15570-25](#) [62200-5709](#) [6-304052-1](#) [63443-1002](#) [63443-3513](#) [63443-4025](#) [63443-7114](#) [6-354778-5](#) [6-354779-2](#) [63600-2995](#) [63810-0105](#) [M8196914-08](#) [662508-1](#) [662908-1](#) [679994-1](#) [679994-2](#) [68764-0001](#) [69001-0105](#) [69002-5525](#) [690124-7](#) [690191-1](#) [690191-4](#) [690518-2](#) [690696-1](#) [691409-4](#) [691667-1](#) [692006-2](#) [692655-7](#) [692776-1](#) [692776-4](#) [693077-3](#) [693077-4](#) [693597-1](#) [D20418-137](#) [D20419-189](#) [ET-LY10](#) [734041-1](#)