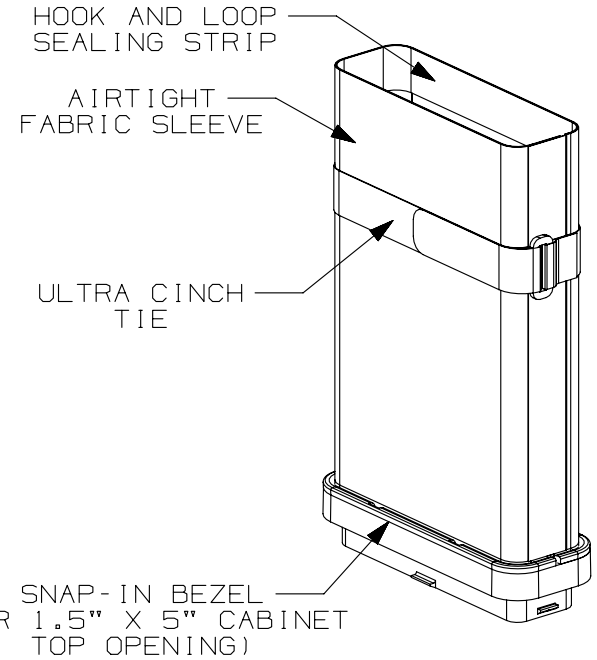
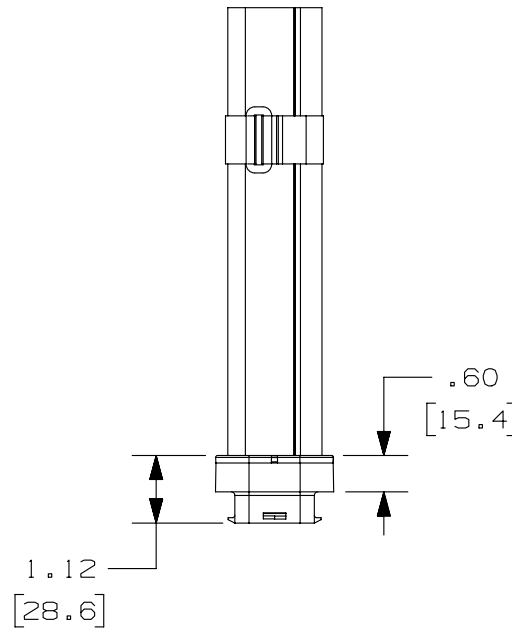
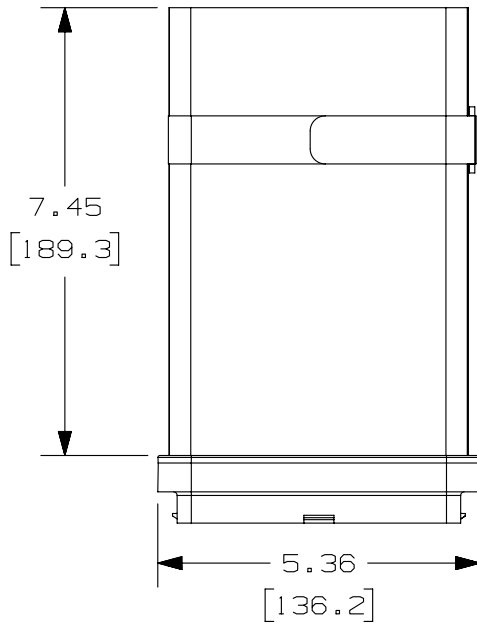
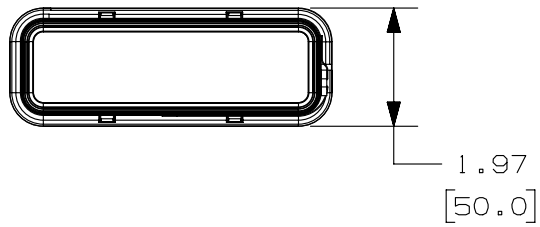


THIS COPY IS PROVIDED ON A RESTRICTED BASIS AND IS NOT TO BE USED IN ANY WAY DETRIMENTAL TO THE INTERESTS OF PANDUIT CORP.

PANDUIT PART NUMBER	WEIGHT
CTGN1X5	.08 LBS/EACH 34.3 GRAMS/EACH

**NOTES:**

1. FOR USE WITH NET-ACCESS CABINETS
2. USED TO SEAL OFF 1.5" X 5" CABINET TOP OPENINGS WHEN CABLES ARE ROUTED THROUGH THE TOP OF THE CABINET.
3. REQUIRES THAT PANDUIT PART NUMBER CTCN1X5B TO BE INSTALLED INTO 1.5" X 5" CABINET TOP OPENING PRIOR TO CTGN1X5 INSTALLATION.
4. FINISH COLOR: BLACK
5. DIMENSION IN PARENTHESES ARE IN METRIC



REV	DATE	BY	CHK	APR	DESCRIPTION	ECN
1	03-11-13	SSP	DWR	RN	RELEASED TO PRODUCTION	12D289AA-DC
R	08-02-12	SSP	DWR		DRAWING RELEASED	

TITLE <b>1.5" X 5" COOL BOOT CABINET TOP AIR SEALING FITTING (CTGN1X5)</b> CUSTOMER DRAWING	
ITEM REVISION NAME 12D289AA/00	<b>PANDUIT</b> <sup>TM</sup>
DATASET FILE NAME 12D289AA_DC/00B CTGN1X5	
UNLESS OTHERWISE SPECIFIED, DIMENSIONAL TOLERANCES ARE: IN [ mm ]	
.X ± .XX ± .03 [ .8 ]	.XXX ± ANGLES ±
THIRD ANGLE PROJECTION	
DRAWN BY SSP	DATE 8-02-12
CHK DWR	SCALE NONE
DRAWING NUMBER: 12D289AA-DC	
SHT 1 OF 1	
SIZE A	

D10100DA/12

## X-ON Electronics

Largest Supplier of Electrical and Electronic Components

*Click to view similar products for [Wire Ducting & Raceways](#) category:*

*Click to view products by [Panduit](#) manufacturer:*

Other Similar products are found below :

[FG5EI25-A](#) [PED12](#) [PED8](#) [PEVEP](#) [FXOE3-10M3](#) [FZD3-3M2](#) [FZLE10-10M2](#) [FZOE10-10M1](#) [FZOLE10-10M2](#) [FZPE3-10M2](#) [923223-000](#)  
[PRAF6WH-X](#) [A0405538](#) [1301150342](#) [1301230083](#) [1301150343](#) [1301230086](#) [1301240054](#) [AX101472](#) [AX102652](#) [AX102653](#) [AX102737](#)  
[S62DS](#) [S65DS](#) [S75DSH](#) [A0405536](#) [A0405537](#) [A0649869](#) [FXOD3-3M1](#) [FXOE10-10M2](#) [FZLD3-3M2](#) [FZOE3-10M1](#) [FZOE3-10M2](#)  
[FZOLE3-10M2](#) [FZOPE10-10M1](#) [FZPD3-3M2](#) [PZRFE4](#) [PZWIFIEN](#) [PZWIFIENA](#) [CNPSNH](#) [CNSPC](#) [5400ES](#) [WDLT-1216-72](#) [655287-000](#)  
[S75DS](#) [1301180028](#) [801A-LSP](#) [TGECAW](#) [853425-000](#) [3066](#)