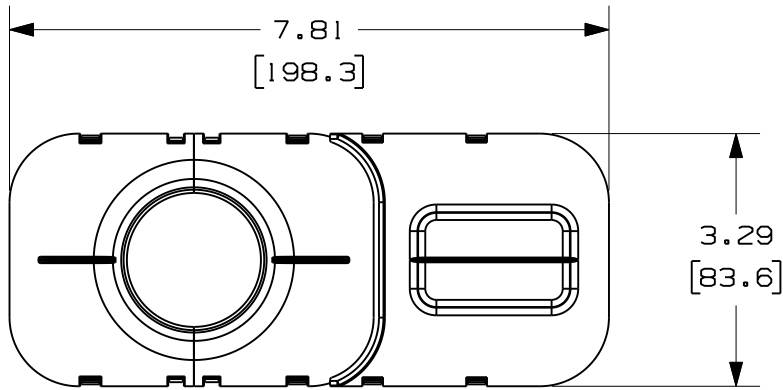


THIS COPY IS PROVIDED ON A RESTRICTED BASIS AND IS NOT TO BE USED IN ANY WAY DETRIMENTAL TO THE INTERESTS OF PANDUIT CORP.



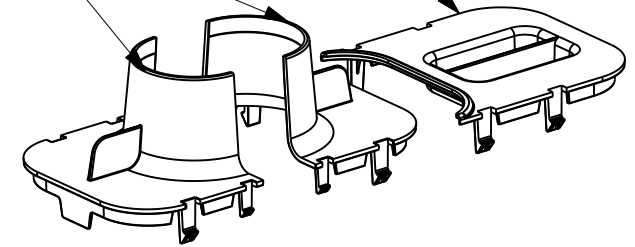
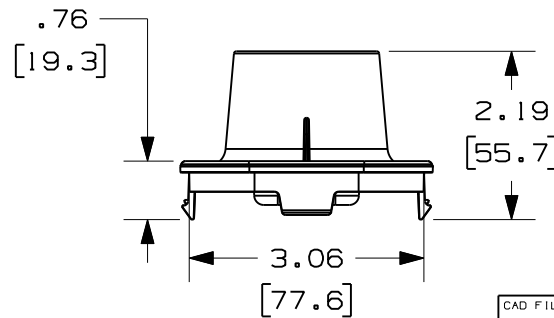
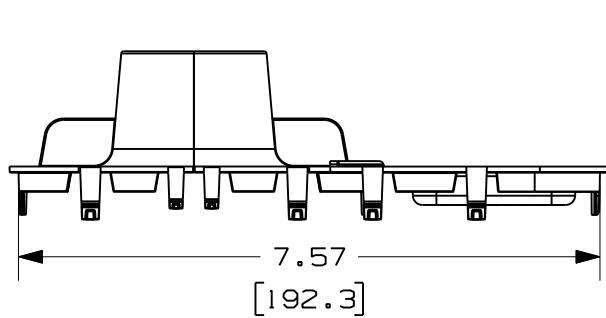
PANDUIT PART NUMBER	WEIGHT
CTIDT15	9.95 G / EACH .02 LBS / EACH

**NOTES:**

1. PANDUIT PART NUMBER CTIDT15 INCLUDES:  
ONE (1) CABINET TOP AIR SEALING FIBER OPTIC FILLER PANEL.  
TWO (2) CABINET TOP AIR SEALING FIBER OPTIC FITTINGS.
2. FOR USE WITH BOTH Net-SERV™ and Net-Access™ CABINETS.
3. USED TO TRANSITION 1.5" (38MM) DIAMETER SLIT CORRUGATED TUBING DIRECTLY INTO A 3" X 8" OR 3" X 5" CABINET TOP OPENING.
4. DIMENSIONS IN PARENTEHESES ARE METRIC.

CABINET TOP AIR SEALING FIBER OPTIC FILLER PANEL

CABINET TOP AIR SEALING FIBER OPTIC FITTINGS



CAD FILENAME/LAYERS 09D043AH\_DC/ 00 CTIDT15

PANDUIT CORP. TINLEY PARK, ILLINOIS

CABINET TOP AIR SEALING FIBER OPTIC FITTING (CTIDT15) CUSTOMER DRAWING

UNLESS OTHERWISE SPECIFIED, DIMENSIONAL TOLERANCES ARE:  
(.X) ± (.XXX) ±  
(.XX) ± .03 (1.8) ANGLES ±

UNLESS OTHERWISE SPECIFIED, ALL DIMENSIONS ARE GIVEN IN INCHES, THIRD ANGLE PROJECTION.

DRAWN BY JAHA MAT'L:

SCALE NONE

DATE 01/13/10

ABS

DRAWING NO.

DWG A SIZE

R	1-13-10	JAHA	EB	RELEASED TO PRODUCTION	09D043AH	RN	RN		
---	---------	------	----	------------------------	----------	----	----	--	--

REV	DATE	BY	CHK	DESCRIPTION	ECN	R	CUST	SUP	
-----	------	----	-----	-------------	-----	---	------	-----	--

CHK'D EB

09D043AH-DC

## X-ON Electronics

Largest Supplier of Electrical and Electronic Components

*Click to view similar products for [Other Tools](#) category:*

*Click to view products by [Panduit](#) manufacturer:*

Other Similar products are found below :

[CR-0AFL4--332K](#) [568681-1](#) [5800-0090](#) [58061-1](#) [59065-5](#) [59085](#) [00-8273-RDPP](#) [00-8729-WHPP](#) [593033](#) [593072](#) [593564100](#) [593575](#)  
[593593](#) [011349-000](#) [CRCW08052740FRT1](#) [LUC-012S070DSM](#) [LUC-018S070DSP](#) [LUC-024S105DSP](#) [599-2021-3-NME](#) [599-JJ-2021-03](#)  
[00-5080-YWPP](#) [00-9089-RDPP](#) [00-9300-RDPP](#) [CRCW2010331JR02](#) [601-JJ-06](#) [601-SPB](#) [601YSY](#) [602-JJ-03](#) [602SPB](#) [603-JJ-07-FP](#) [603-](#)  
[JJY-04](#) [M15570-25](#) [CRTN1013](#) [CS16](#) [6-1579014-0](#) [CSB3](#) [6203](#) [62200-5709](#) [6240-1](#) [M43435](#) [TY 2 SZ 3 FIN B BLK](#) [M-5Z](#) [M6816](#) [M7298](#)  
[M7456](#) [M7976](#) [660-29ABT1](#) [662508-1](#) [CVHD-950X-93.333](#) [CW104-01X](#) [671-GP-04-KT39-73207](#)