

Drop Away Roof Panel

PANDUIT™

SPECIFICATION SHEET

specifications

The Drop Away Roof Panels allow for an effective solution to fire suppression needs in the data center environment with an easy-to-install modular design that attaches to Panduit's Universal Aisle Containment thermal solution. The Drop Away Roof Panels shall come in 3 different sizes: 900mm, 1200mm and 1800mm. The Drop Away Roof Panels will sag and fall away at 135°F allowing the sprinkler system access to the containment aisle. The Drop Away Roof Panels shall not be adhered to, held down, or fixed in position in any way that may impede its ability to function in compliance with FM Global 4651 standard. Translucent roof panels shall allow for a high level of light transparency providing a clean look and secure roof solution.



Drop Away Roof Panel



End of Row Kit

technical information

Compliance Standards:	Meets FM Global 4651 standard
Approved for In-Building Construction:	UL BLME.R4036
Unique Design:	Panels will sag and drop away at 135°F
Quality Material:	Panels are made of out polyvinyl chloride plastic (PVC/vinyl)
Nominal Panel Thickness:	Panels are .013 inch (0.33 mm) thin in order to drop away when the sprinkler system needs to activate
Customization:	A minimum of 2x2 ft (0.6x0.6 m) tile/panels, ensuring that it fits your specific design criteria

key features and benefits

Simplified Multi-Panel Design	Available in 3 aisle widths, 3ft, 4ft, and 6 ft, which provides flexibility to adapt to size requirements with a 1-, 2-, or 3-panel option
Compliance Standards	Meets fire suppression regulations and adheres to FM Global 4651 standard
High Functionality	Functions with new and existing Universal Alignment Containment systems, allowing the product to plug and play into existing structure to keep systems up and running
Ease of Deployment	No action is needed to ensure the sprinklers activate when necessary in the Aisle Containment system. Sprinklers will not be impeded from activation and will have direct access to data center space

applications

Panduit's Drop Away Panels work with new and existing Universal Aisle Containment solutions to provide a roofing solution with effective fire detection through easy access to sprinkler systems. When activated, the Drop Away Panels will sag and drop away at 135°F to allow the sprinkler system access to the Aisle Containment system.

www.panduit.com

Drop Away Panels

Available in 900mm, 1200mm, and 1800mm sizes, and made up of 2 parts: Ceiling Grid and End of Row Kit
Polyvinyl chloride plastic (PVC/vinyl) panels
Nominal thickness of .013 inch (0.33 mm)
Min 2x2 ft (0.6x0.6 m) tile/panels

900mm Ceiling grid

Width 617mm: CUCGF03DP*1
Length 963mm: CUCGF03DP*1

900mm End of Row Kit

Adjustable up to 4 inches
Width 900mm: CUEORF03DP*1
Length 962mm: CUEORF03DP*1

1200mm Ceiling grid

Width 617mm: CUCGF04DP*1
Length 1281mm: CUCGF04DP*1

1200mm End of Row Kit

Adjustable up to 4 inches
Width 1200mm: CUEORF04DP*1
Length 1276mm: CUEORF04DP*1

1800mm Ceiling grid

Width 617mm: CUCGF06DP*1
Length 1881mm: CUCGF06DP*1

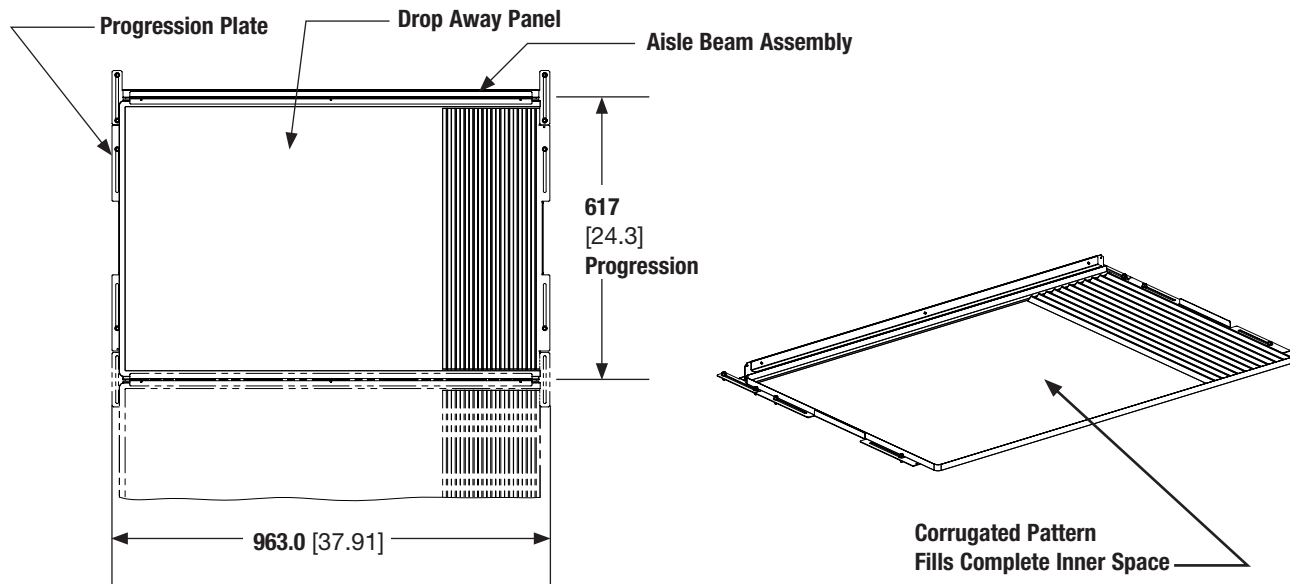
1800mm End of Row Kit

Adjustable up to 4.5 inches
Width 1800mm: CUEORF06DP*1
Length 1876mm: CUEORF06DP*1

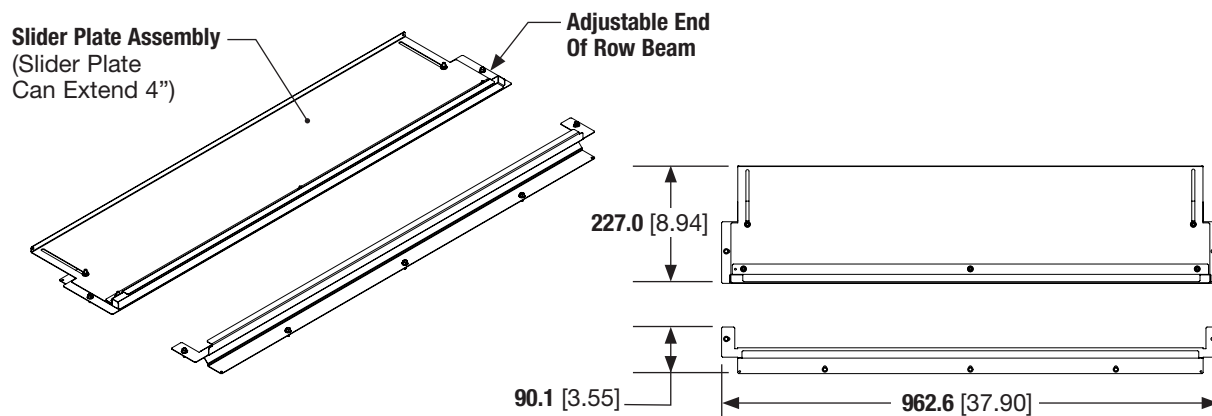
Drop Away Roof Panel

Dimensions

Ceiling Grid



End of Row Kit



WORLDWIDE SUBSIDIARIES AND SALES OFFICES

PANDUIT US/CANADA
Phone: 800.777.3300

PANDUIT EUROPE LTD.
London, UK
Phone: 44.20.8601.7200

PANDUIT SINGAPORE PTE. LTD.
Republic of Singapore
Phone: 65.6305.7575

PANDUIT JAPAN
Tokyo, Japan
Phone: 81.3.6863.6000

PANDUIT LATIN AMERICA
Guadalajara, Mexico
Phone: 52.33.3777.6000

PANDUIT AUSTRALIA PTY. LTD.
Victoria, Australia
Phone: 61.3.9794.9020

For a copy of Panduit product warranties, log on to www.panduit.com/warranty

For more information

Visit us at www.panduit.com

Contact Customer Service by email: cs@panduit.com
or by phone: 800.777.3300

PANDUITTM

©2018 Panduit Corp.
ALL RIGHTS RESERVED.
RKSP179--SA-ENG
6/2018

X-ON Electronics

Largest Supplier of Electrical and Electronic Components

Click to view similar products for [Racks & Rack Cabinet Accessories](#) category:

Click to view products by [Panduit](#) manufacturer:

Other Similar products are found below :

[M00-PLN](#) [F2424](#) [8351-832-A-24](#) [9104](#) [9105](#) [PLFF2000](#) [H-9163-B](#) [1427C3](#) [HTS10](#) [PC-79](#) [SC10-3A](#) [SC4-28](#) [CG3-340S/12](#) [CP-001BK](#)
[M6123-4007-SS](#) [TS170](#) [LP40](#) [5261304-07](#) [CG3-160G](#) [7112C-PLN](#) [ALUM](#) [CM10](#) [8610-3124-S-26](#) [TS81](#) [7142](#) [GP134](#) [M6125-4007-A-24](#)
[M6127-4007-SS](#) [PBCOVER](#) [512](#) [AEG-4000G](#) [AEG-3000G](#) [HD99](#) [SR2-66A2](#) [FP10B4HP-1](#) [SR16-66A2](#) [FP52-2](#) [1406-1006-01](#) [29478](#)
[TS2535](#) [TS169-6](#) [CAC2](#) [HA19-3U](#) [BR-19-10-1](#) [TS180](#) [CG3-ESD](#) [SC11-1](#) [CFS-1.00/2.20](#) [AX6145WM](#) [HEC0800PB](#) [ZC633R](#)