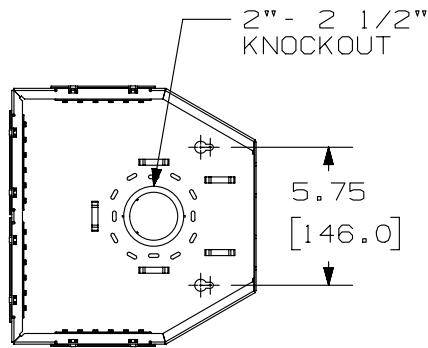
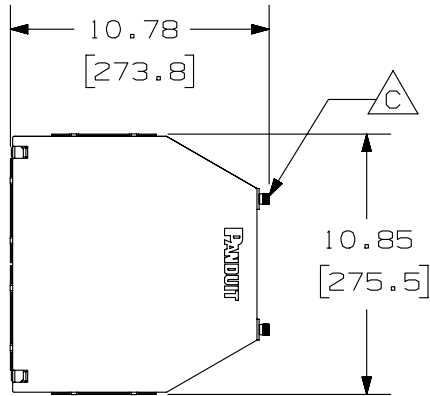
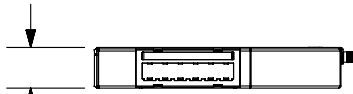


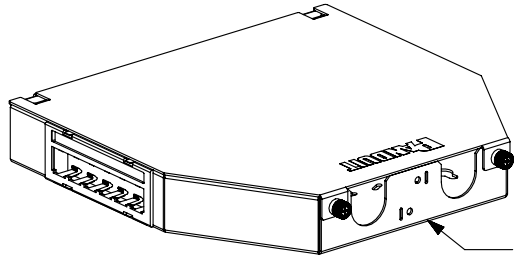
THIS COPY IS PROVIDED ON A RESTRICTED BASIS AND IS NOT TO BE USED IN ANY WAY DETRIMENTAL TO THE INTERESTS OF PANDUIT CORP.



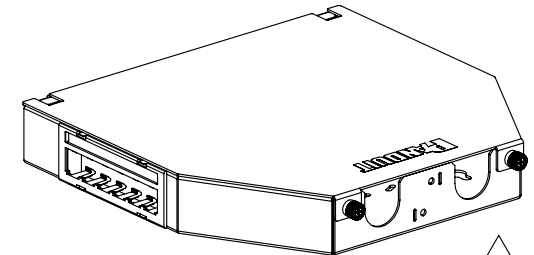
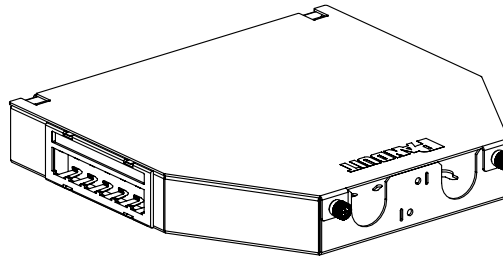
COVER REMOVED FOR CLARITY



1.69 [43.0]



GROMMET PLATE REMOVED FOR GREATER CABLE DENSITY



PANDUIT P/N	WEIGHT
CUFMB24BL	2.12 LB/EACH PC (961.6 g/EACH PC)

NOTES:

- SEE CURRENT CATALOG FOR ADDITIONAL PART NUMBER SUFFIXES TO INDICATE COLOR AND OR PACKAGE QUANTITY.
- SEE CATALOG FOR COMPLETE LIST OF PARTS APPLICABLE FOR USE WITH THIS PART.
- DIMENSIONS IN PARENTHESES ARE IN METRIC.
- PART INCLUDES:
 - 1- METAL BODY
 - 4- 6 POSITION FACEPLATE
 - 1- FACEPLATE LABEL/LABEL COVER KIT WHICH INCLUDES:
 - 4 LABELS AND 4 LABEL COVERS
 - 1- COVER
 - 4- TAK-TY™
 - 1- 48 PORT IDENTIFICATION LABEL

REV	DATE	BY	CHK	APR	DESCRIPTION	ECN
04A	2-6-15	BAME	NAGL	KRKE	E. UPDATED TITLE BLOCK	01032-15
03A	6-16-10	RYB			D. GROMMET BRACKET NOW REMOVABLE	01032-15
2	4-24-02	JsP	PBD		C. REPLACED PUSH LATCHES WITH CAPTIVE SCREWS. B. REMOVED GROMMETS, PUT THEM IN CUFF-KIT.	01032-15
1	12-28-01	JsP	PBD		A. ADDED 2" - 2 1/2" KNOCKOUT FEATURE.	01032-15
R	8-31-01	JsP	AMYR		RELEASED TO PRODUCTION	01032-15

TITLE MINI-COM™ 24 PORT CONSOLIDATION POINT BOX (CUFMB24BL) CUSTOMER DRAWING	
ITEM REVISION NAME V01032AA/04	
DATASET FILE NAME V01032AA_DC/04A	
UNLESS OTHERWISE SPECIFIED, DIMENSIONAL TOLERANCES ARE: IN (mm)	
.X ± .XX ±	.XXX ± ANGLES ±
THIRD ANGLE PROJECTION	
DRAWN BY JsP	DATE 8-31-01
CHK AMYR	SCALE NONE
MATERIAL: .060" ALUMINUM	
DRAWING NUMBER: 01032-15	
SHT 1 OF 1	
SIZE A	

D10100DA/16

X-ON Electronics

Largest Supplier of Electrical and Electronic Components

Click to view similar products for [Wire Ducting & Raceways](#) category:

Click to view products by [Panduit](#) manufacturer:

Other Similar products are found below :

[800A-LB](#) [801I-LSP](#) [802A-ECSP](#) [802I-ICSP](#) [923223-000](#) [PRAF6WH-X](#) [A0405538](#) [1301150342](#) [1301160034](#) [1301170070](#) [1301180011](#)
[1301230083](#) [1301230153](#) [1301240273](#) [1301250006](#) [1302261238](#) [1302261321](#) [1302262552](#) [1302263103](#) [1302263178](#) [1302263259](#)
[1302263816](#) [1302263860](#) [1302264375](#) [1302264390](#) [1301150343](#) [1301160030](#) [1301170050](#) [1301170051](#) [1301170061](#) [1301180013](#)
[1301230086](#) [1301230130](#) [1301240054](#) [1302260055](#) [1302260376](#) [1302261343](#) [1302261344](#) [1302262674](#) [1302263095](#) [1302263166](#)
[1302263209](#) [1302263513](#) [1302263851](#) [1302263870](#) [1302264137](#) [1302264218](#) [DD1/J](#) [AX101472](#) [AX102007](#)