

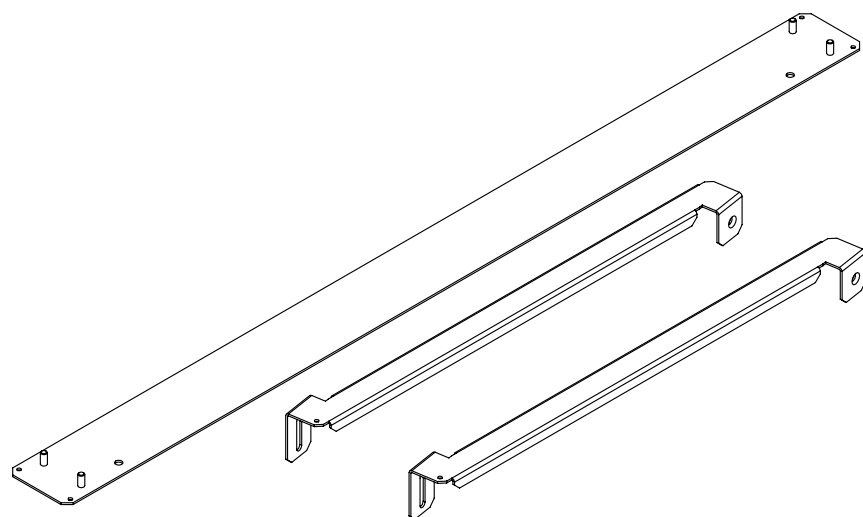
2

1

THIS COPY IS PROVIDED ON A RESTRICTED BASIS AND IS NOT TO BE USED IN ANY WAY DETRIMENTAL TO THE INTERESTS OF PANDUIT CORP.

PANDUIT P/N	DESCRIPTION	COLOR	WEIGHT
CUVWA06S06STB1	NET-CONTAIN UAC VERTICAL WALL ADAPTER 600mm WIDE	BLACK	0.44 Kg/EACH [0.9 LBS/EACH]
CUVWA06S06STW1	NET-CONTAIN UAC VERTICAL WALL ADAPTER 600mm WIDE	WHITE	0.44 Kg/EACH [0.9 LBS/EACH]
CUVWA07S07STB1	NET-CONTAIN UAC VERTICAL WALL ADAPTER 700mm WIDE	BLACK	0.47 Kg/EACH [1.0 LBS/EACH]
CUVWA07S07STW1	NET-CONTAIN UAC VERTICAL WALL ADAPTER 700mm WIDE	WHITE	0.47 Kg/EACH [1.0 LBS/EACH]
CUVWA08S08STB1	NET-CONTAIN UAC VERTICAL WALL ADAPTER 800mm WIDE	BLACK	0.50 Kg/EACH [1.1 LBS/EACH]
CUVWA08S08STW1	NET-CONTAIN UAC VERTICAL WALL ADAPTER 800mm WIDE	WHITE	0.50 Kg/EACH [1.1 LBS/EACH]

- VISIT OUR ON-LINE CATALOG AT [WWW.PANDUIT.COM](http://WWW.PANDUIT.COM) FOR A LIST OF CURRENT PARTS APPLICABLE FOR USE WITH THIS PRODUCT.
- PARTS SUPPLIED:
  - VERTICAL WALL ADAPTER
  - WALL BRACE BRACKET
  - HARDWARE KIT
  - INSTRUCTION SHEET
- PRIMARY DIMENSIONS ARE IN MILLIMETERS.



TITLE  
**(CUVWA\*\*S\*\*ST\*\*) NET-CONTAIN UAC VERTICAL WALL ADAPTER**  
 CUSTOMER DRAWING

ITEM REVISION NAME  
 12V359SS/00

DATASET FILE NAME  
 12V359SS\_DC/00A

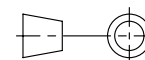
**PANDUIT**

MATERIAL:

N/A

DRAWING NUMBER:

12V359SS-DC



THIRD ANGLE  
 PROJECTION

00A	5-29-14	PBS	PATR	SGI	RELEASED TO PRODUCTION	12V359SS-DC
REV	DATE	BY	CHK	APR	DESCRIPTION	ECN

DRAWN BY PBS	DATE 5-29-14	CHK PATR	SCALE NONE	SHT 1 OF 1	SIZE A
-----------------	-----------------	-------------	---------------	------------	-----------

2

1

D10100DA/16

## X-ON Electronics

Largest Supplier of Electrical and Electronic Components

*Click to view similar products for [Wire Ducting & Raceways](#) category:*

*Click to view products by [Panduit](#) manufacturer:*

Other Similar products are found below :

[800A-LB](#) [801I-LSP](#) [802A-ECSP](#) [802I-ICSP](#) [923223-000](#) [PRAF6WH-X](#) [A0405538](#) [1301150342](#) [1301160034](#) [1301170070](#) [1301180011](#)  
[1301230083](#) [1301230153](#) [1301240273](#) [1301250006](#) [1302261238](#) [1302261321](#) [1302262552](#) [1302263103](#) [1302263178](#) [1302263259](#)  
[1302263816](#) [1302263860](#) [1302264375](#) [1302264390](#) [1301150343](#) [1301160030](#) [1301170050](#) [1301170051](#) [1301170061](#) [1301180013](#)  
[1301230086](#) [1301230130](#) [1301240054](#) [1302260055](#) [1302260376](#) [1302261343](#) [1302261344](#) [1302262674](#) [1302263095](#) [1302263166](#)  
[1302263209](#) [1302263513](#) [1302263851](#) [1302263870](#) [1302264137](#) [1302264218](#) [DD1/J](#) [AX101472](#) [AX102007](#)