

THIS COPY IS PROVIDED ON A RESTRICTED BASIS AND IS NOT TO BE USED IN ANY WAY DETRIMENTAL TO THE INTERESTS OF PANDUIT CORP.

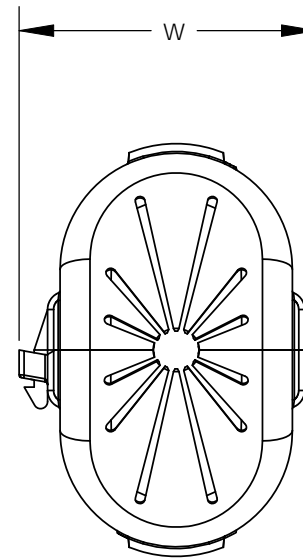
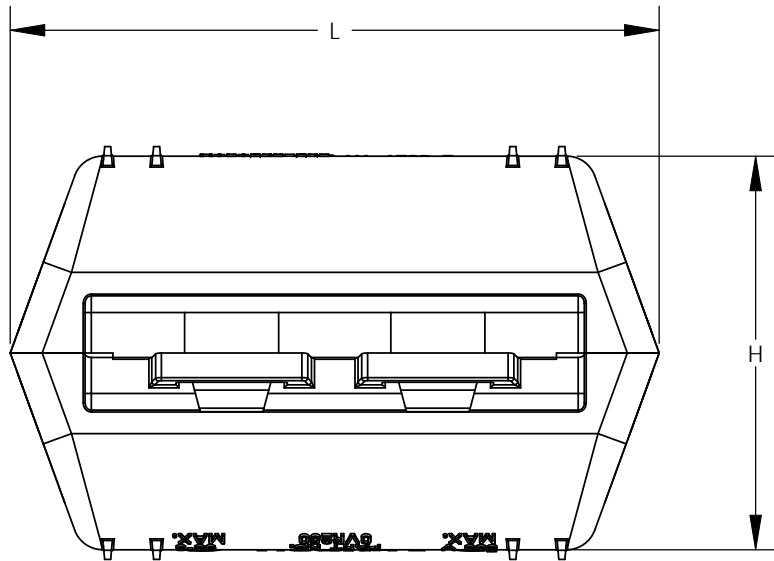
NOTES:

1. MATERIAL: LOW DENSITY BLACK POLYPROPYLENE
2. UL LISTED AND CSA CERTIFIED
  - WHEN USED WITH SPECIFIED HTAPS
  - MAXIMUM TEMPERATURE RATING: 90° C
  - VOLTAGE RATING OF COVER: 600V



PANDUIT PART NUMBER	DIMENSIONS - IN [mm]			TO BE USED WITH HTAP PART NUMBERS	*TO BE USED WITH CTAP PART NUMBERS
	L	W	H		
CVR6-1	2.00 [50.8]	1.20 [30.5]	1.26 [32.0]	N/A	CTAP4-8, CTAP4-6, CTAP4-4
CVR2-1	3.38 [85.9]	1.40 [35.6]	2.00 [50.8]	HTCT2-2	CTAP2-4, CTAP2-2, CTAP2/0-2
CVR250-1	3.38 [85.9]	1.55 [39.4]	2.05 [52.1]	HTCT250-250	CTAP2/0-2/0
CVR500-1	3.86 [98.0]	1.97 [50.0]	2.66 [67.6]	N/A	CTAP4/0-2, CTAP4/0-2/0, CTAP4/0-4/0
CVR1000-1	5.62 [142.7]	2.45 [62.2]	3.72 [94.5]	N/A	N/A

\*NOTE: COVERS ARE NOT UL LISTED FOR USE WITH CTAP CONNECTORS



REV	DATE	BY	CHK	DESCRIPTION	ECN	-R	SUP	CHK'D
04	1/11	JHNU	JHNU	ADDED NOTE TO SPECIFY PART IS NOT UL LISTED FOR USE WITH CTAP CONNECTORS	N41315BA-C41315	FLD	FLD	
03	12/10	JHNU	JHNU	REVISED AGENCY LOGO	N41315BA-C41315	FLD	FLD	
02	7/10	JHNU	JHNU	REMOVED HTCT8-8, HTCT6-6 FROM TABLE				
01	11/09	JHNU	JHNU	ADDED CVR6, CVR2, CVR500, & CVR1000 REVISED NOTES, ADDED TABLE				
00	8/09	JHNU	JHNU	DRAWING RELEASED				

**PANDUIT** CORP. TINLEY PARK, ILLINOIS

CVR H-TAP COVERS  
CUSTOMER DRAWING

UNLESS OTHERWISE SPECIFIED  
DIMENSIONAL TOLERANCES ARE:  
(.X) ± (XXX) ±  
(.XX) ± ANGLES ±

UNLESS OTHERWISE SPECIFIED,  
ALL DIMENSIONS ARE GIVEN IN  
INCHES, THIRD ANGLE PROJECTION

DRAWN BY

MAT'L:

SCALE

N/A

DATE

SEE  
NOTE 1  
ABOVE

DRAWING NO / CAD FILE

C41315\_04

DWG

**A**  
SIZE

## X-ON Electronics

Largest Supplier of Electrical and Electronic Components

*Click to view similar products for [Terminals](#) category:*

*Click to view products by [Panduit](#) manufacturer:*

Other Similar products are found below :

[00-054007-01074-6](#) [00-054007-70206-1](#) [00-054007-70210-8](#) [00-054007-70217-7](#) [00-054007-70226-9](#) [00-054007-70228-3](#) [00-054007-70248-1](#) [00-054007-70256-6](#) [00-054007-70301-3](#) [00-054007-70316-7](#) [0-0320562-0](#) [00-054007-49560-4](#) [00-054007-70209-2](#) [00-054007-70225-2](#) [00-054007-70227-6](#) [00-054007-70231-3](#) [00-054007-70241-2](#) [00-054007-70242-9](#) [00-054007-70244-3](#) [00-054007-70246-7](#) [00-054007-70263-4](#) [00-054007-70288-7](#) [00-054007-70290-0](#) [00-054007-70300-6](#) [00-054007-70304-4](#) [01-2065-1-0216](#) [01-2900-1-04412](#) [00581P0075](#) [600TS-10](#) [60205-1](#) [604200-1](#) [605601-1](#) [60598-1-CUT-TAPE](#) [61314-6-C](#) [61810-3](#) [61-S](#) [61-SN](#) [626-0194](#) [62-NBM-A](#) [62-SN](#) [62-SP](#) [63-S](#) [640179-1](#) [M55155/059I03](#) [M55155/079C01](#) [M55155/099H02](#) [M55155/109H01](#) [M55155/109H02](#) [M55155/12XH05](#) [M55155/16XH02](#)