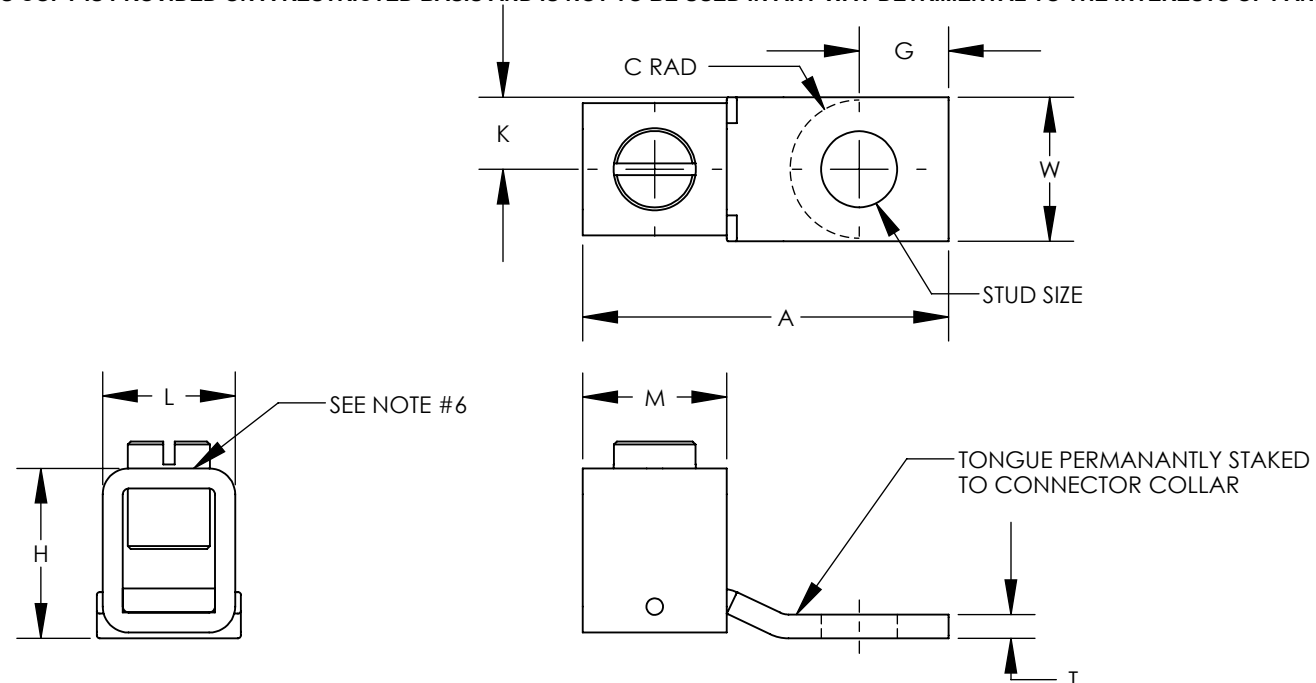


THIS COPY IS PROVIDED ON A RESTRICTED BASIS AND IS NOT TO BE USED IN ANY WAY DETRIMENTAL TO THE INTERESTS OF PANDUIT CORP.



NOTES:

- MATERIAL:
BODY - COPPER
◇ DENOTES BODY IS TIN PLATED COPPER
SCREW - STEEL, ZINC PLATED
- UL LISTED & CSA CERTIFIED FOR USE UP TO 600V & TEMPERATURE RATED 90°C. **CX125 & CX225 PARTS ARE cULus.**
- RATED FOR USE WITH COPPER STRANDED CODE CONDUCTOR ONLY
- THESE PARTS ARE RoHS COMPLIANT
- SEE PACKAGING LABEL FOR TIGHTENING TORQUE INFORMATION
- PROFILE OF COLLAR MAY VARY BETWEEN CURVED AND FLAT.
- PKG QTY:
C = 100
D = 250
Q = 25



PANDUIT PART NUMBER	WIRE RANGE COPPER	CURRENT RATING (AMPS)	STUD SIZE IN	DIMENSIONS - IN [mm] ± .02 [0.5]									HEX SIZE*
				G	W	K	A	M	T	H	L	C (MAX)	
CX125-14SL-QY	#4 AWG - #1/0 AWG	125	1/4"	0.43 [10.9]	0.62 [15.7]	0.31 [7.9]	1.53 [38.9]	0.62 [15.7]	0.13 [3.3]	0.77 [19.6]	0.57 [14.5]	0.41 [10.4]	SLOTTED
◇ CX125-56SLT-QY	#4 AWG - #1/0 AWG	125	5/16"	0.43 [10.9]	0.62 [15.7]	0.31 [7.9]	1.53 [38.9]	0.62 [15.7]	0.13 [3.3]	0.77 [19.6]	0.57 [14.5]	0.41 [10.4]	SLOTTED
CX225-56HKR-Q	#2 AWG - #4/0 AWG	225	5/16"	0.56 [14.2]	.99 [25.2]	0.50 [12.7]	2.19 [55.6]	1.00 [25.4]	0.13 [3.3]	1.13 [28.7]	0.85 [21.6]	0.50 [12.7]	7/32
◇ CX225-56HKRT-Q	#2 AWG - #4/0 AWG	225	5/16"	0.56 [14.2]	.99 [25.2]	0.50 [12.7]	2.19 [55.6]	1.00 [25.4]	0.13 [3.3]	1.13 [28.7]	0.85 [21.6]	0.50 [12.7]	7/32
◇ CX225-38HKRT-Q	#2 AWG - #4/0 AWG	225	3/8"	0.56 [14.2]	.99 [25.2]	0.50 [12.7]	2.19 [55.6]	1.00 [25.4]	0.13 [3.3]	1.13 [28.7]	0.85 [21.6]	0.50 [12.7]	7/32

* HEX STYLE & SIZE MAY DIFFER FROM CHART. DIFFERENCE IN SIZE WILL NOT AFFECT FIT, FORM, OR FUNCTION OF PART

REV	DATE	BY	CHK	APR	DESCRIPTION	ECN
19	7/17	JHNU	JHNU	RGB	REMOVED CX35, CX70 PART NUMBERS, REPLACED BY CXS35, CXS70 PART NUMBERS - DRAWING 12J038AQ-DC	N41664BA-C41664
18	6/17	JHNU	JHNU	RGB	REVISED T DIMENSION FOR CX225-56HKR/56HKRT: .13 WAS .11	N41664BA-C41664
17	3/17	JHNU	JHNU	RGB	REVISED T DIMENSION FOR CX225-38T: .13 WAS .12	N41664BA-C41664
16	8/16	JHNU	JHNU	RGB	ADDED CX225-56HKR-Q, CX225-56HKRT-Q, CX225-38HKRT-Q REMOVED CX225-56HK-QY, CX225-56HKT-QY, CX225-38HKT-QY	N41664BA-C41664
15	10/15	JHNU	JHNU	RGB	REVISED NOTES TO SPECIFY CX125/CX225 ARE cULus	N41664BA-C41664
14	11/13	JHNU	JHNU	RGB	REVISED "T" DIMENSION FOR CX125-14SL, CX125-56SLT: 0.13 [3.3] WAS 0.11 [2.7]	N41664BA-C41664
13	9/13	JHNU	JHNU	RGB	REVISED "L" DIMENSION FOR CX35-36: 0.34 [8.63] WAS 0.38 [9.7]	N41664BA-C41664
12	4/13	JHNU	JHNU	RGB	REPLACED MISSING "A" DIMENSION REVISED HEX SIZE FOR CX225: 3/16 WAS 9/16	N41664BA-C41664
11	2/13	JHNU	JHNU	RGB	REVISED TITLE BLOCK	N41664BA-C41664

TITLE CX SERIES COPPER MECHANICAL CONNECTORS CUSTOMER DRAWING	
ITEM REVISION NAME N41664BA-C41664/19	PANDUIT
DATASET FILE NAME C41664/19.SLDDRW	
UNLESS OTHERWISE SPECIFIED, DIMENSIONAL TOLERANCES ARE: IN [mm] .X ± .XXX ± .XX ± ANGLES ±	
THIRD ANGLE PROJECTION	MATERIAL SEE NOTES
DRAWN BY JHNU	DRAWING NUMBER C41664
DATE 3/06	SCALE NONE
CHK JHNU	SHEET 1 OF 1
SIZE B	

X-ON Electronics

Largest Supplier of Electrical and Electronic Components

Click to view similar products for [Fixed Terminal Blocks](#) category:

Click to view products by [Panduit](#) manufacturer:

Other Similar products are found below :

[MBE-1512](#) [MBE-154](#) [MBE-156](#) [MBES-153](#) [MBES-156](#) [MH-2512](#) [MHE-132](#) [MHE-163](#) [MI-254 \(35\)](#) [MI-272](#) [880507](#) [MPT-275](#)
[15602-04-08-21](#) [BA311TU](#) [BA411SU](#) [MV-152](#) [MV-252-D](#) [MV-253/NCNOC](#) [MV-254-D](#) [MV-255](#) [MV-462](#) [MV-493](#) [MVE-252](#) [MVE-253](#)
[MVE-273](#) [MVEB-153](#) [1700096](#) [1705142](#) [1712417](#) [1713020](#) [1713088](#) [1745195](#) [1760594](#) [1776118-2](#) [1790852](#) [1-796689-8](#) [1-796692-6](#)
[1800001](#) [1800114](#) [1995279](#) [20020314-C121B01LF](#) [CB2-12](#) [KP03215000J0G](#) [KP04215000J0G](#) [S451](#) [282802-2](#) [29.007](#) [29.116](#) [30.103](#)
[30.106](#)